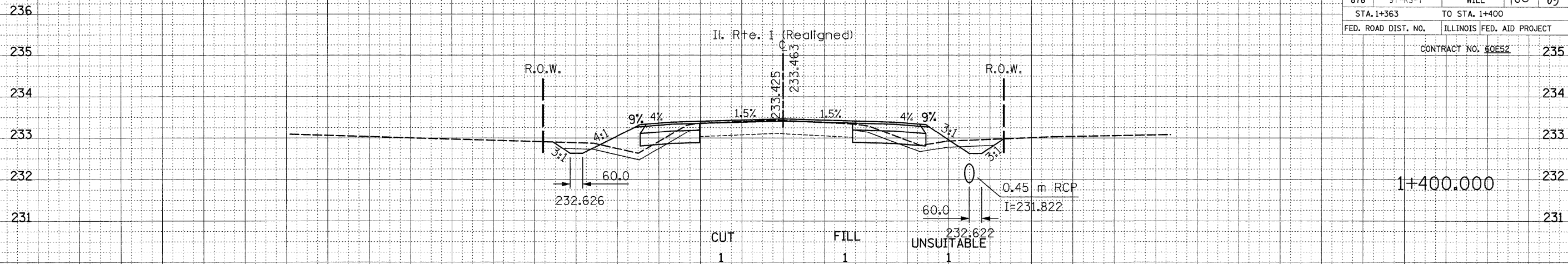


|                     |         |                           |              |           |
|---------------------|---------|---------------------------|--------------|-----------|
| F.A.P. RTE.         | SECTION | COUNTY                    | TOTAL SHEETS | SHEET NO. |
| 876                 | 9Y-RS-7 | WILL                      | 160          | 85        |
| STA. 1+363          |         | TO STA. 1+400             |              |           |
| FED. ROAD DIST. NO. |         | ILLINOIS FED. AID PROJECT |              |           |

CONTRACT NO. 60E52 235

|                            |  |
|----------------------------|--|
| DATE                       |  |
| BY                         |  |
| SURVEYED                   |  |
| PLOTTED                    |  |
| AREAS CHECKED              |  |
| FINAL SURVEY NOTE BOOK NO. |  |

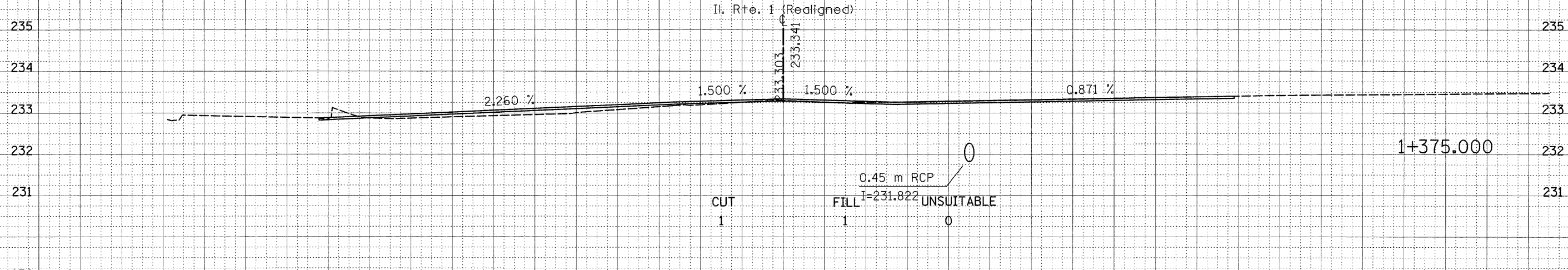


1+400.000

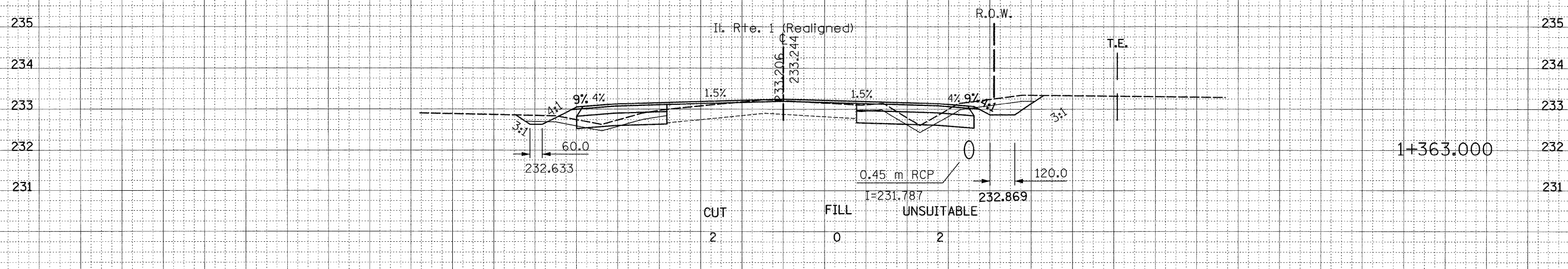
INTERSECTION REALIGNED IL RTE. 1 AND ARLINGTON LN.

STA. 1+374.673

|                               |  |
|-------------------------------|--|
| DATE                          |  |
| BY                            |  |
| SURVEYED                      |  |
| PLOTTED                       |  |
| AREAS CHECKED                 |  |
| ORIGINAL SURVEY NOTE BOOK NO. |  |



1+375.000



1+363.000