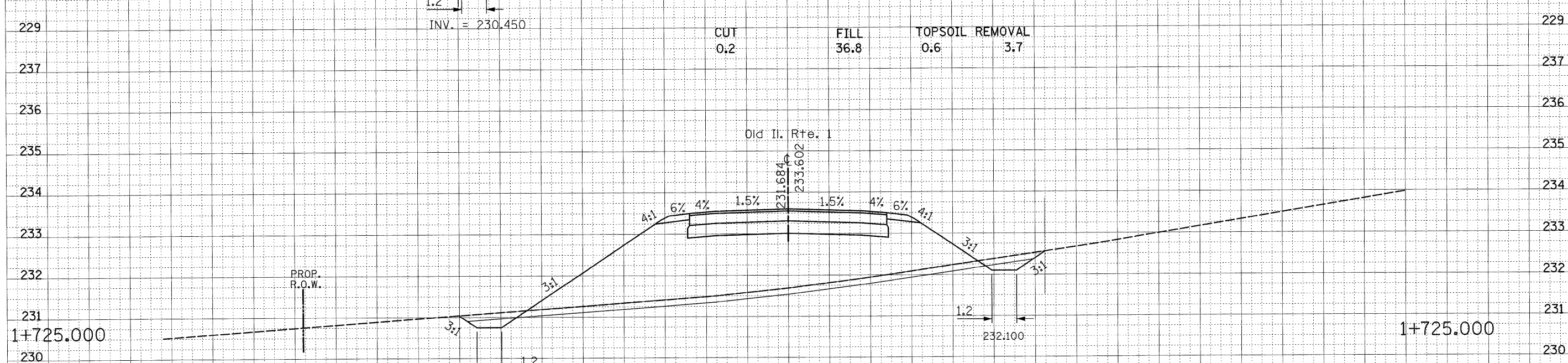
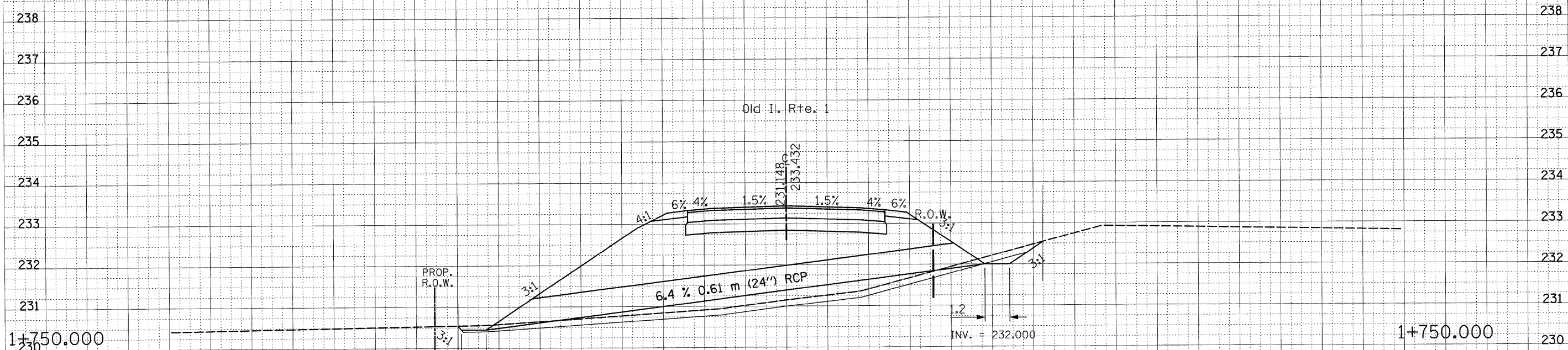


F.A.E. RTE.	SECTION	COUNTY	TOTAL SHEETS	SHEET NO.
876	9Y-RS-7	WILL	100	98
STA. 1+725		TO STA. 1+750		
FED. ROAD DIST. NO. 1		ILLINOIS FED. AID PROJECT		
CONTRACT NO. 60E92				



9/3/2008  
 c:\projects\136602\vs\_01\11\_2.dgn  
 ulr\ahkd