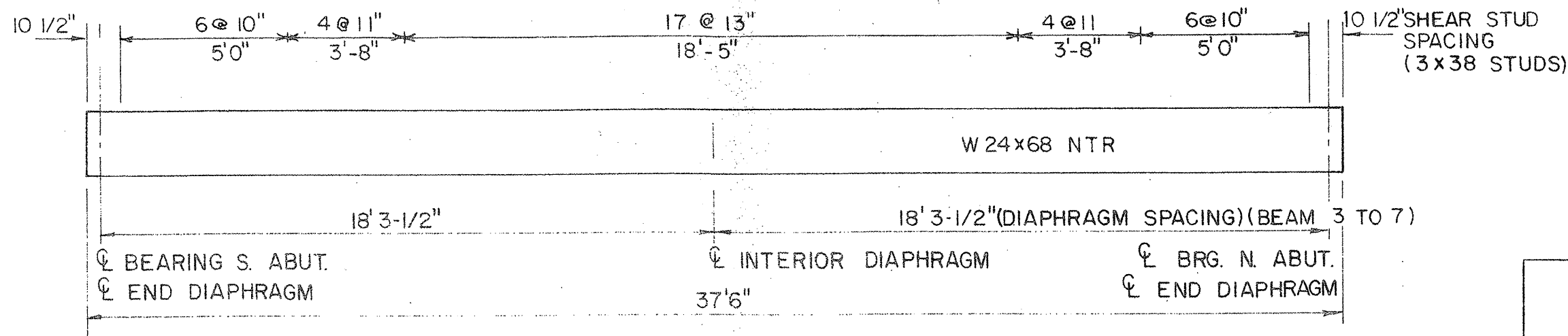
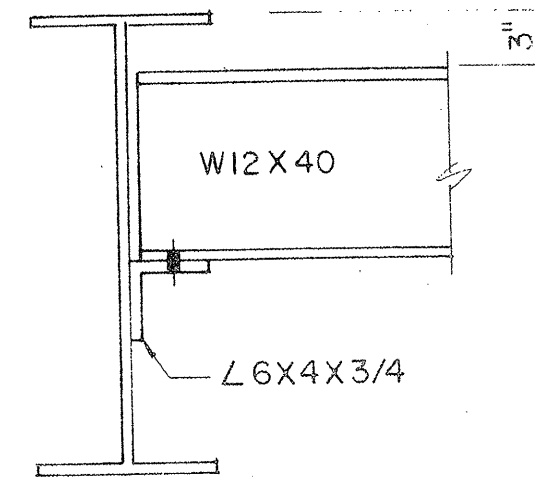
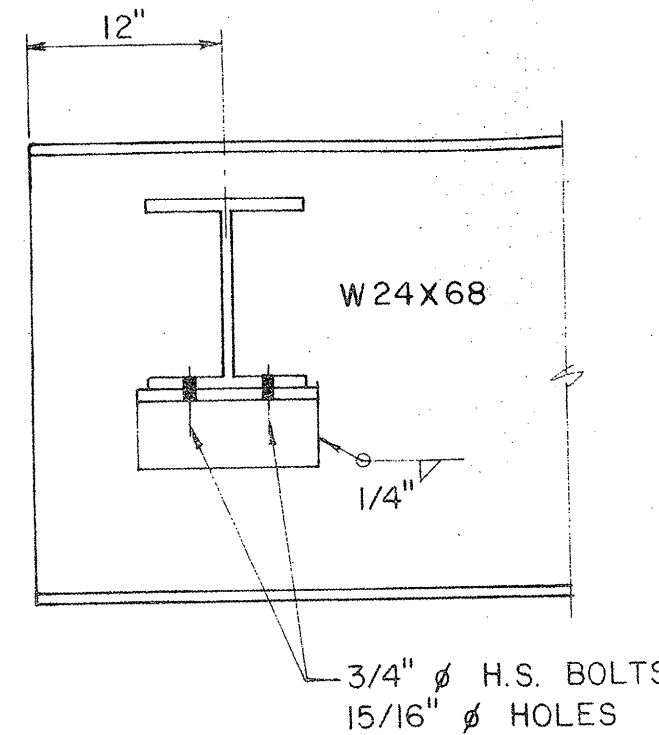
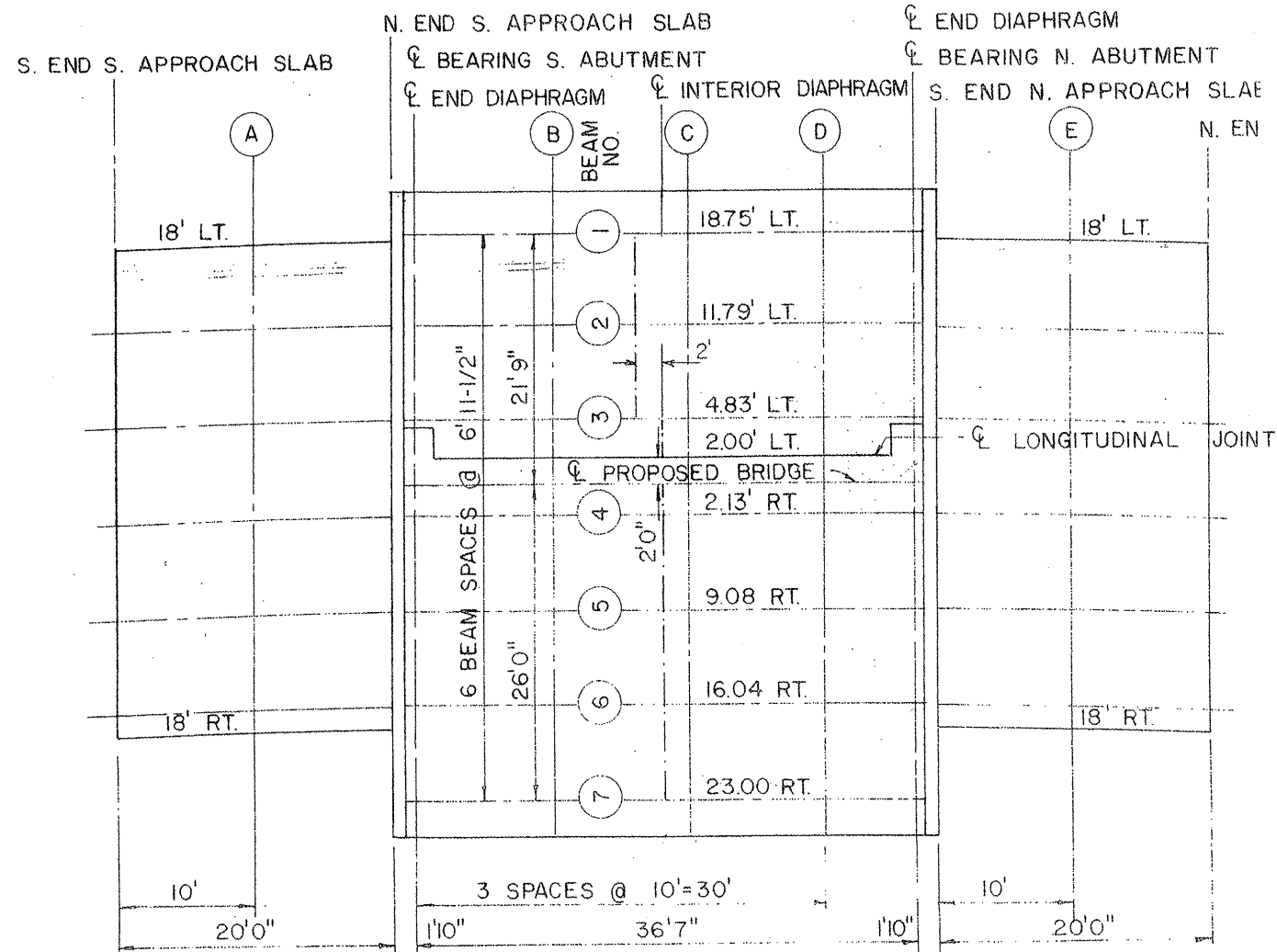


ROUTE	SECTION	COUNTY	TOTAL SHEETS	SHEET NUMBER
VARIOUS	2008-053 BP	VARIOUS	69	23

CONTRACT NO. 60F04



LOCATION NO. 2

EXIST. BRIDGE PLANS
IL 31 OVER EDGEWOOD
RAVINE SN 056-0016

NTR INDICATES NOTCH TOUGHNESS REQUIREMENT
 SHEET 2 OF 2