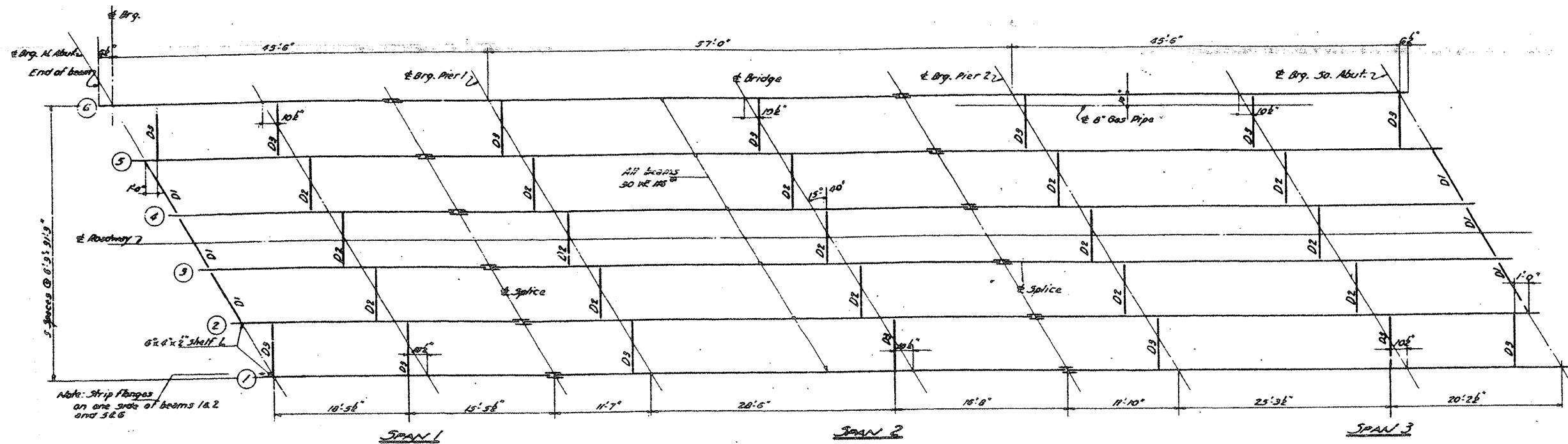
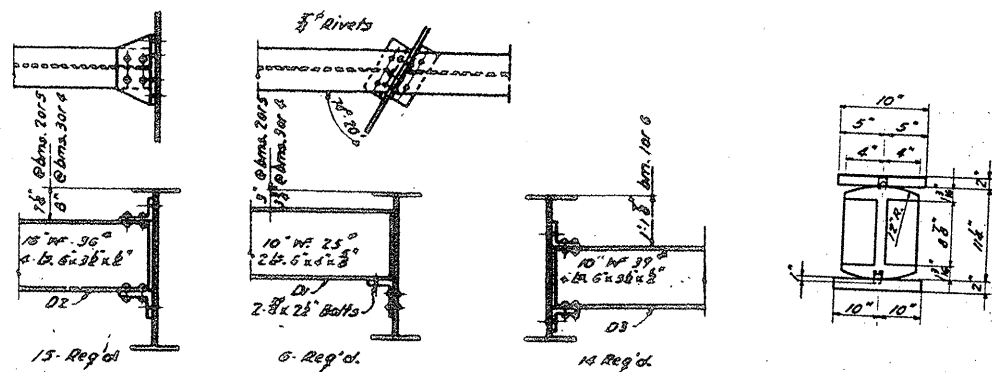


ROUTE VARIOUS	SECTION 2008-053 BP	COUNTY VARIOUS	TOTAL SHEETS 69	SHEET NUMBER 28
------------------	------------------------	-------------------	--------------------	--------------------

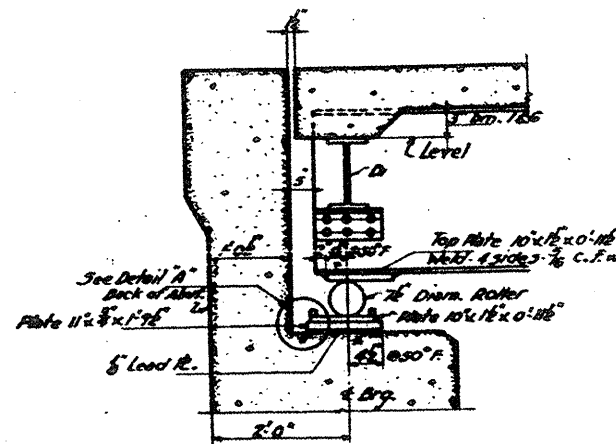
CONTRACT NO. 60F04



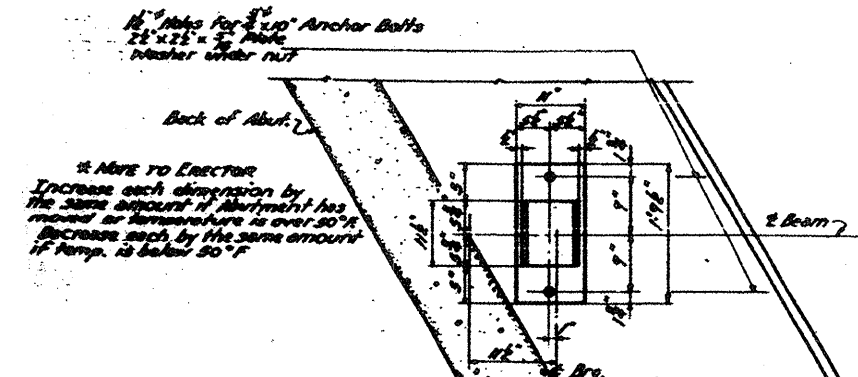
PLAN OF STRUCTURAL STEEL



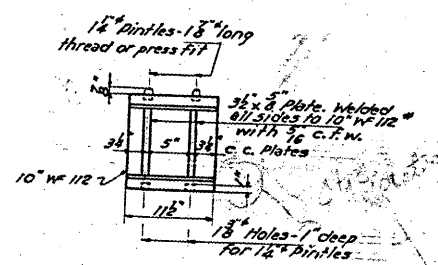
DIAPHRAGM DETAILS



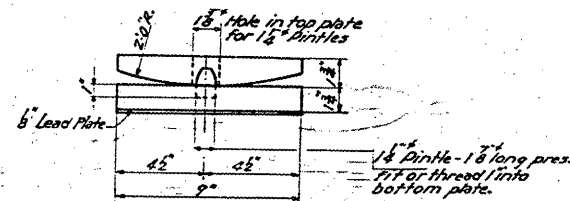
SECTION AT ABUTMENT
Typical and at interior beams



PLAN



BEARING DETAILS AT PIER 1



DETAIL OF BRG. AT PIER 2

LOCATION NO. 4
EXIST. BRIDGE PLANS
IL 131 OVER EJ&E RR
SN 049-0012