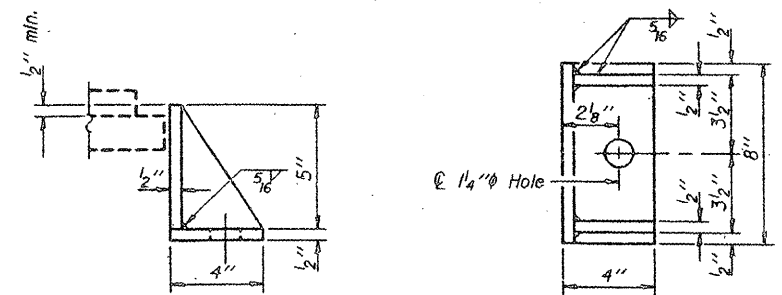
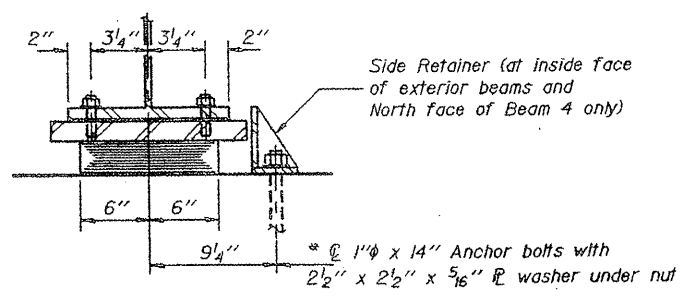
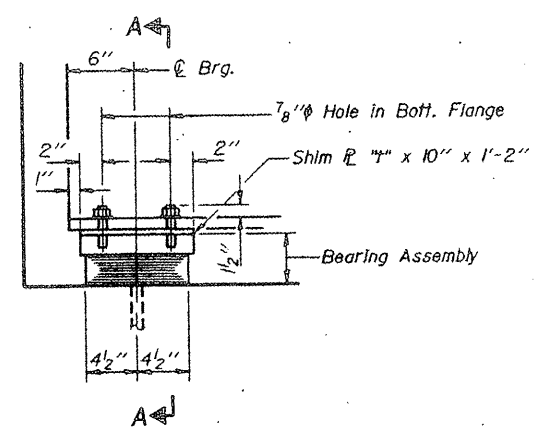
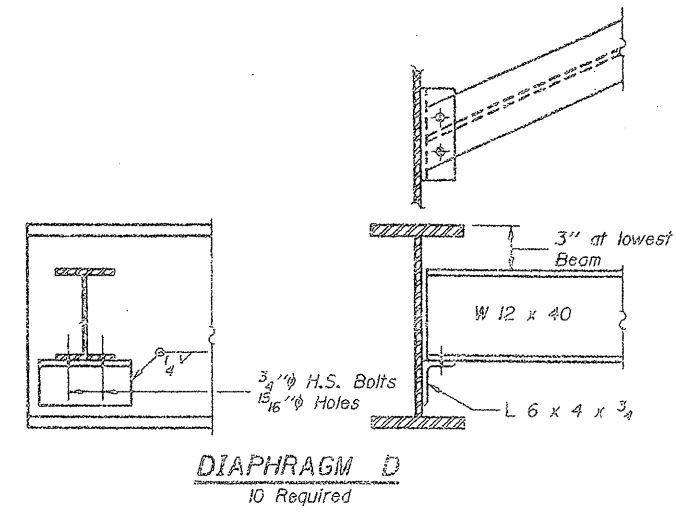
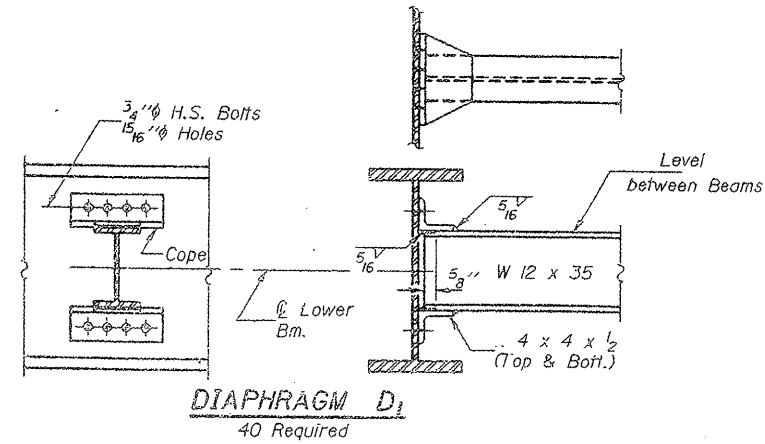


ROUTE VARIOUS	SECTION 2008-053 BP	COUNTY VARIOUS	TOTAL SHEETS 69	SHEET NUMBER 50
------------------	------------------------	-------------------	-----------------------	-----------------------

CONTRACT NO. 60F04



TYPE I ELASTOMERIC EXP. BRG.

LOCATION NO. 10
EXIST. BRIDGE PLANS
IL 19 OVER EJ&E RR
SN 016-0948