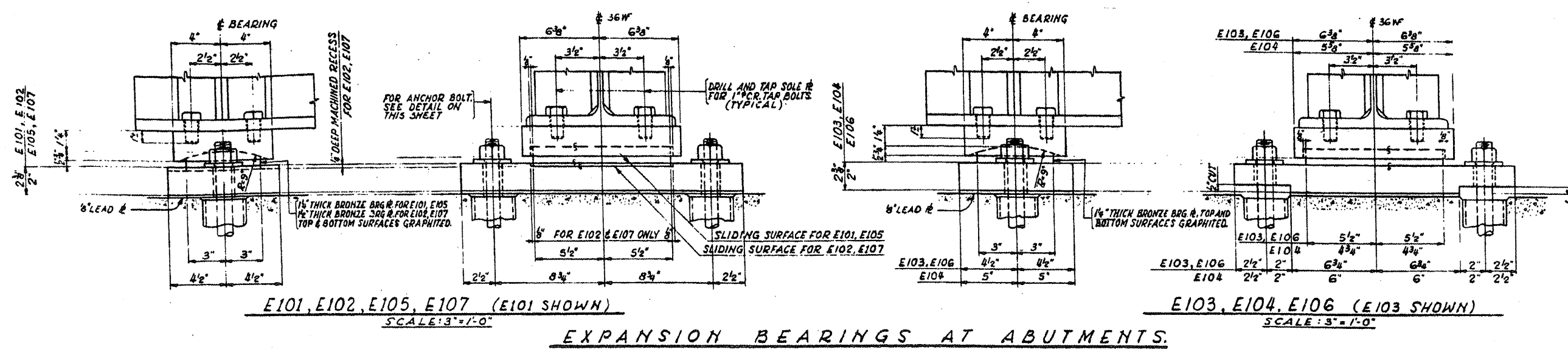


ROUTE	SECTION	COUNTY	TOTAL SHEETS	SHEET NUMBER
VARIOUS	2008-053 BP	VARIOUS	69	53

CONTRACT NO. 60F04



LOCATION NO. 11

EXIST. BRIDGE PLANS

UP RR OVER I-55

SN 016-1137