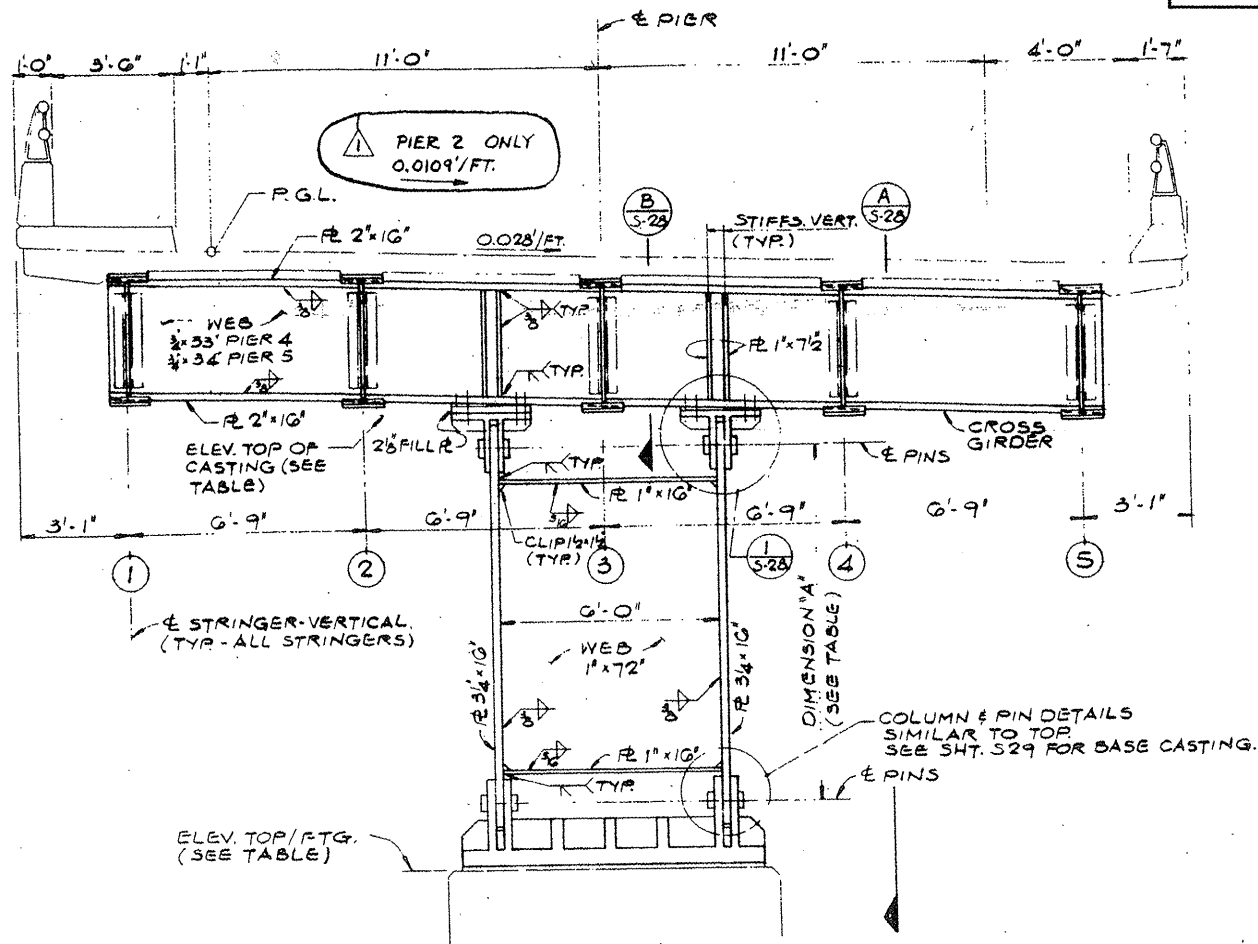
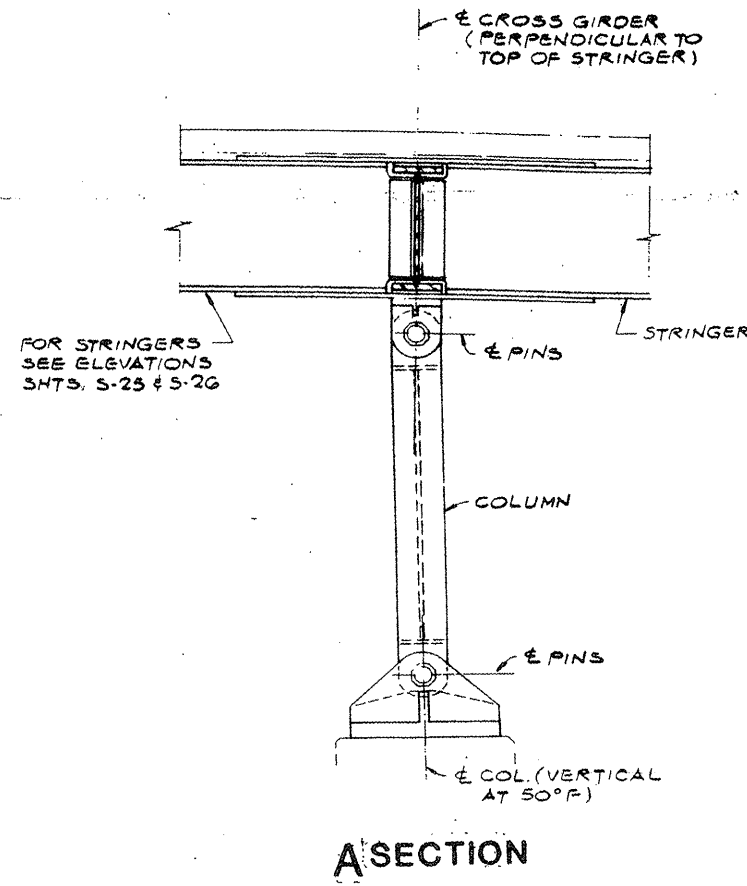


ROUTE VARIOUS	SECTION 2008-053 BP	COUNTY VARIOUS	TOTAL SHEETS 69	SHEET NUMBER 57
------------------	------------------------	-------------------	--------------------	--------------------

CONTRACT NO. 60F04

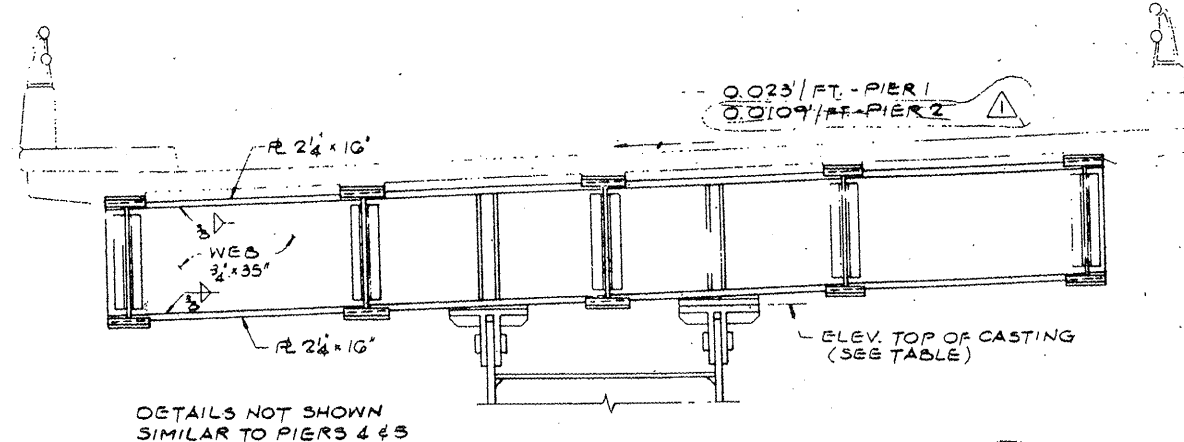


TYPICAL SECTION AT BENTS 4 & 5



SECTION A

	PIER #1	PIER #2	PIER #3	PIER #4
ELEV. TOP OF CASTING	657.194'	656.405'	656.360'	655.010'
ELEV. TOP OF FOOTING	644.150'	644.25'	645.50'	646.80'
E TO E PINS ('A')	10'-2 1/2'	10'-4 3/8'	6'-0 1/2'	5'-4 1/2'



TYPICAL SECTION AT BENTS 1 & 2

**LOCATION NO. 12**

**EXIST. BRIDGE PLANS**  
**IL 72 WB OVER EB I-90 RAMP**  
**TO IL 43 SN 016-2519**