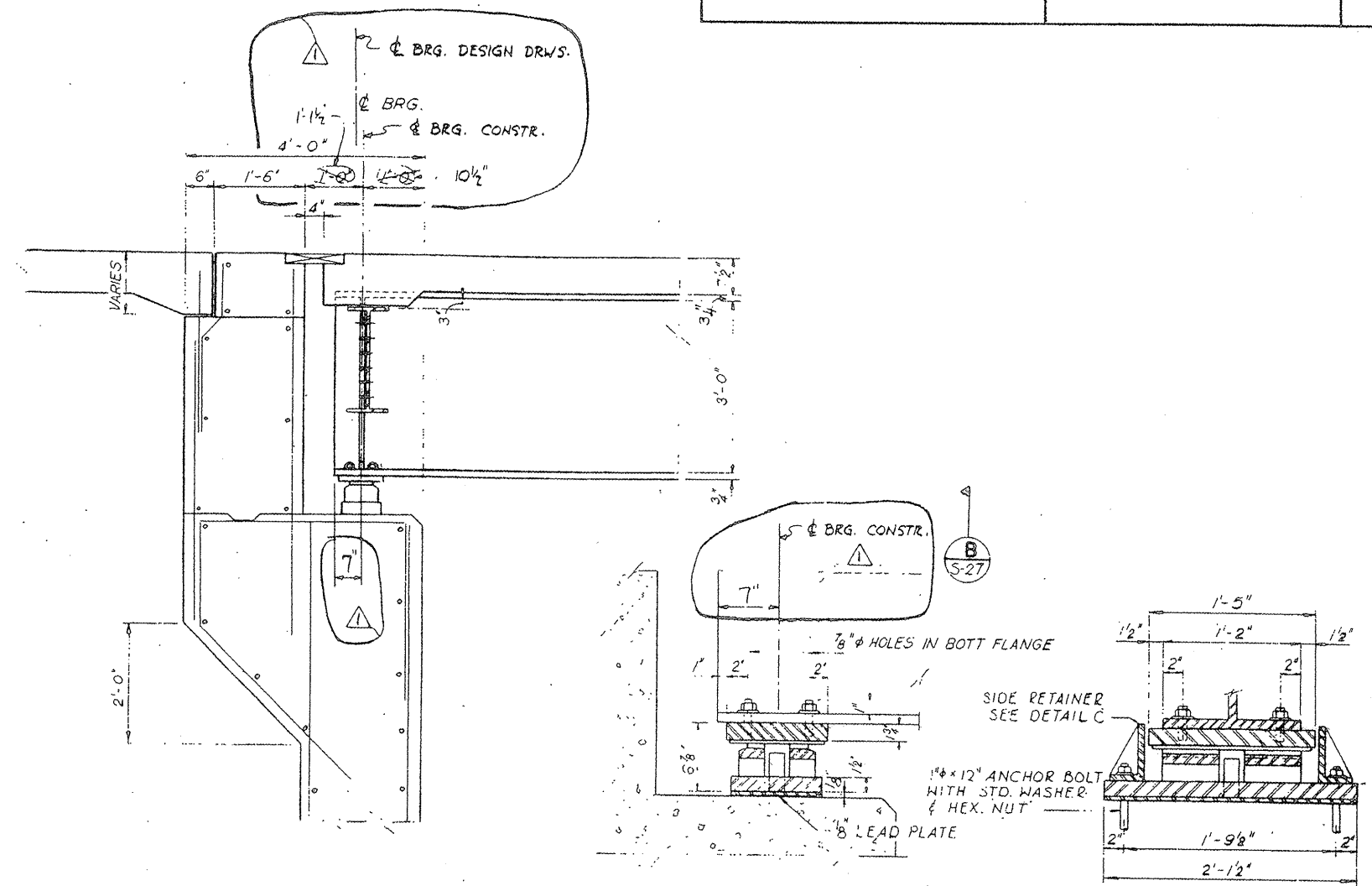


ROUTE VARIOUS	SECTION 2008-053 BP	COUNTY VARIOUS	TOTAL SHEETS 69	SHEET NUMBER 59
------------------	------------------------	-------------------	-----------------------	-----------------------

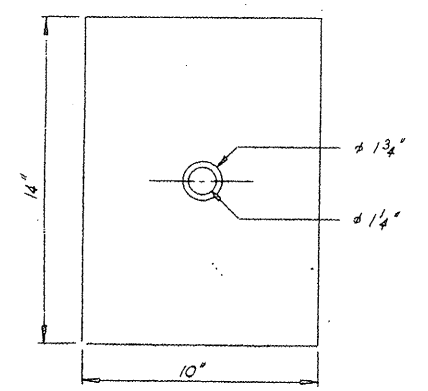
CONTRACT NO. 60F04



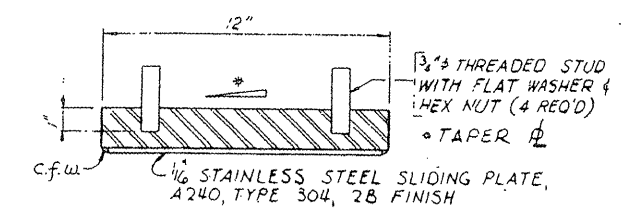
**A SECTION**  
SCALE: 3/4" = 1'-0"

**BEARINGS AT ABUTMENTS**  
SCALE: 1/2" = 1'-0"

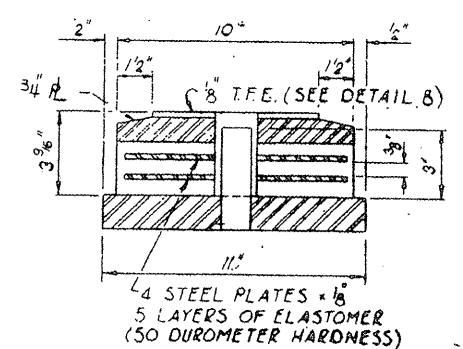
**B SECTION**  
SCALE: 1/2" = 1'-0"



**SLOT DETAIL**  
SCALE: 3" = 1'-0"



**TOP BEARING**  
SCALE: 3" = 1'-0"



**BOTTOM BEARING**  
SCALE: 3" = 1'-0"

**LOCATION NO. 12**

**EXIST. BRIDGE PLANS**  
**IL 72 WB OVER EB I-90 RAMP**  
**TO IL 43 SN 016-2519**