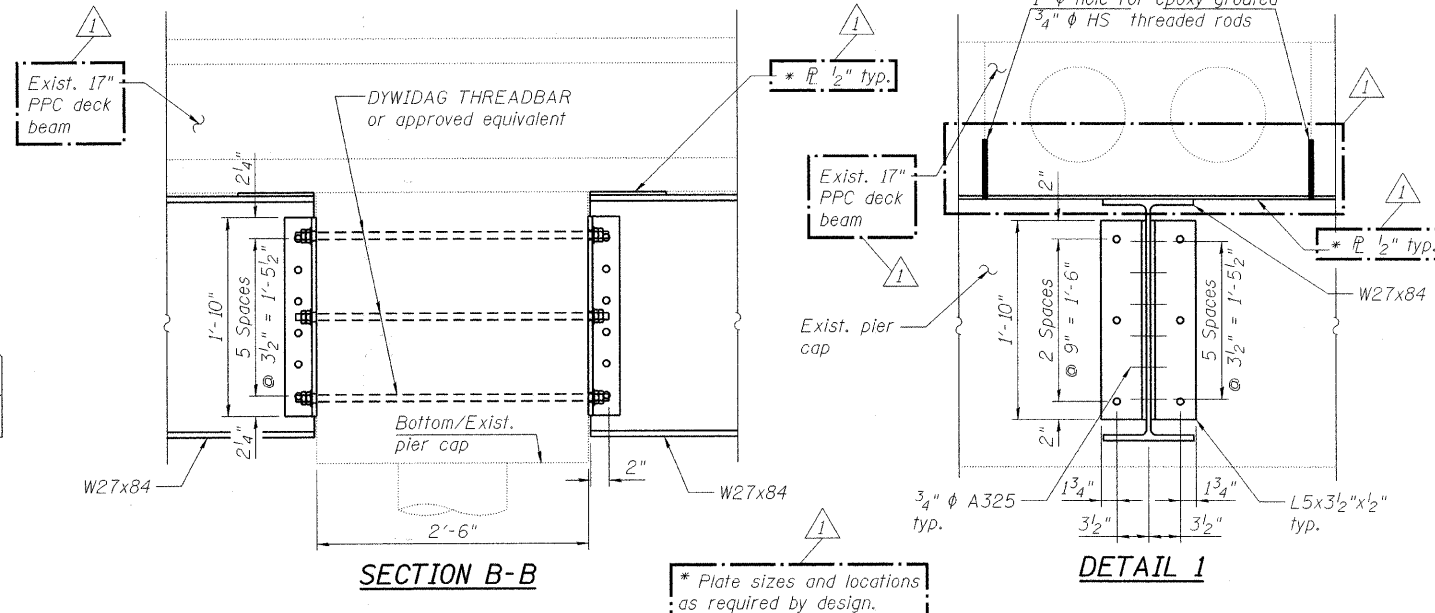
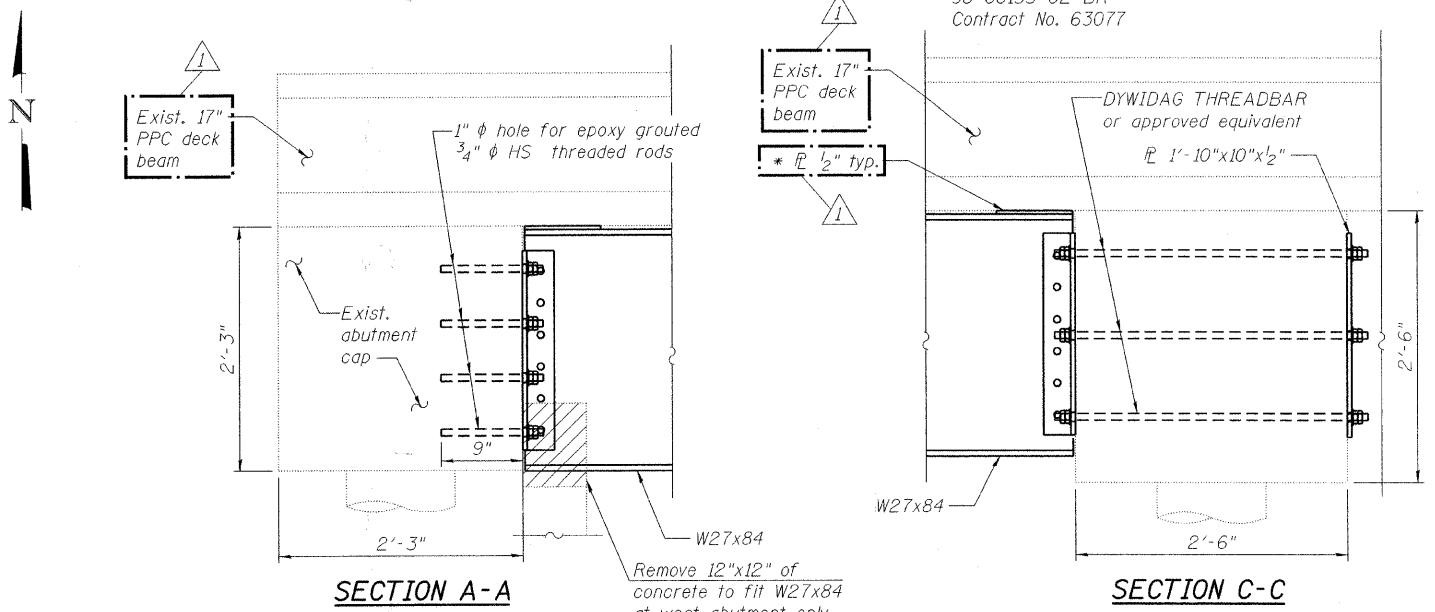
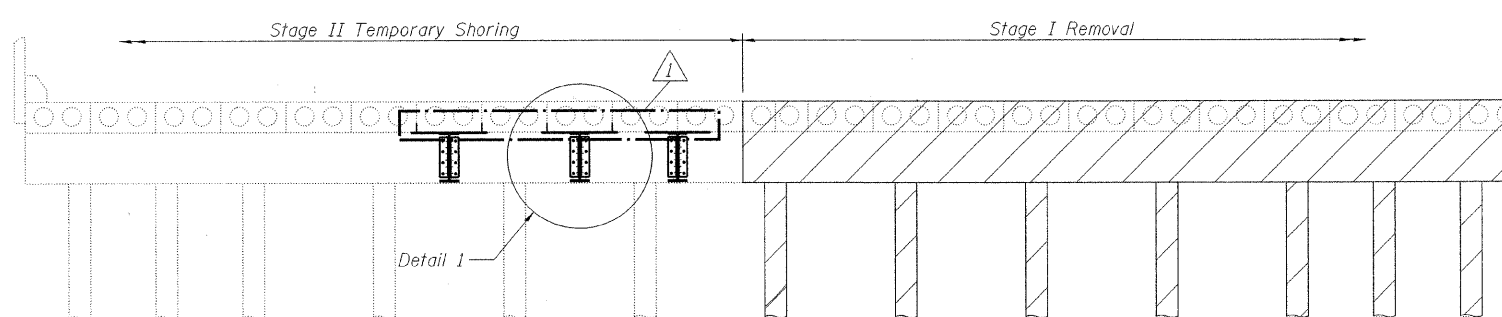
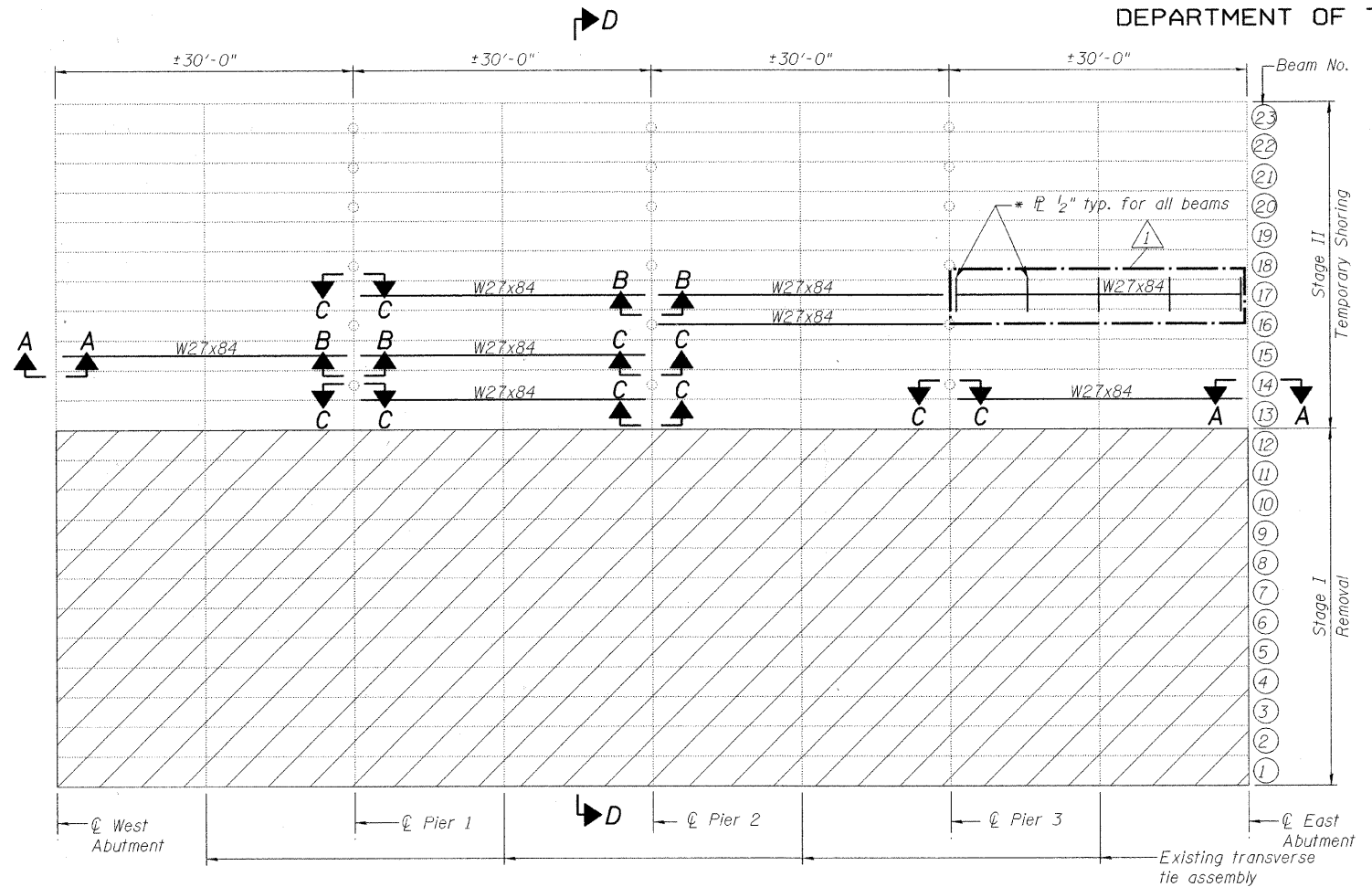


STATE OF ILLINOIS  
DEPARTMENT OF TRANSPORTATION

ROUTE NO.	SECTION	COUNTY	SHEET NO.	SHEET NO.
345	++	DU PAGE	65	35
SHEET NO. 5 25 SHEETS				

+ 98-00153-02-BR  
Contract No. 63077



**NOTES FOR REMOVAL AND TEMPORARY SHORING OF EXISTING BEAMS:**

The temporary shoring system and details shown on the plan are intended for information only and to outline the scope of work required. The Contractor shall provide support and/or shoring system for the existing PPC deck beams at the locations as indicated on the plan and at other locations as required in order to furnish an added degree of safety. The location of existing deck beams to be shored are based on field inspection. The existing condition of the deck beams may have changed since last inspection. The Contractor shall field verify these locations and include more beam locations if necessary. The support and/or shoring systems shall be approved by the Engineer. Such approval will not relieve the Contractor of responsibility for the safety of the structure. After the removal of the existing PPC deck beams for stage I removal, the Contractor shall reconnect or reengage the transverse tie rod in the existing deck beams for stage I traffic.

**NOTES FOR CONSTRUCTION:**

The Contractor shall field verify all existing dimensions and conditions prior to ordering any material and construction. If the Contractor's construction procedures involve placement of cranes or other heavy equipment on the existing deck, a detailed procedure shall be submitted to the Engineer for approval. The submittal shall include calculations and sketches sealed by an Illinois Licensed Structural Engineer. The calculations shall verify that the heavy equipment and procedure used will not overstress the remaining half of the existing structure. The Contractor is advised that the existing PPC Deck Beams are in a deteriorated condition with reduced load carrying capacity. It is the Contractor's responsibility to account for the condition of the beams when developing construction procedures for removal and replacement of the superstructure. To ensure an even distribution of load on the existing deck beams, in all cases a double layer heavy timber planks shall be used at all times under crane tracks or wheels and any outriggers in the down position. If necessary, shims shall be used to ensure uniform contact with the underlying beams. Install the temporary support for the existing deck beams on the north half of the existing bridge prior to removing any existing deck beams for Stage I removal.

Notes:  
All structural steel shall conform to AASHTO Classification M270 Gr. 36, unless otherwise noted.  
See Section 584 of the Standard Specification for Epoxy Grouting of Threaded Rods.  
The cost of epoxy grouting threaded rods shall be included with Temporary Support System.  
Drilled holes shall miss existing reinforcement. Cost of all structural steel, threaded rods, DYWIDAG THREADBAR, drilling holes, etc. is included with Temporary Support System.

**DECK BEAM REACTION TABLE**

Loading	Reaction (k)	
	Unfactored	Factored
Dead Load	13	17
Live Load	25	55
+ Impact		

**BILL OF MATERIAL**

ITEM	UNIT	QUANTITY
Temporary Support System	L. Sum	1

DESIGNED	J.ZUO
CHECKED	M.SHAIKH
DRAWN	D.C.PATEL
CHECKED	J.GRAINAWI

Sections A-A, B-B, C-C and Detail 1 are shown for example purposes only.



**TEMPORARY SHORING PLAN AND DETAILS**  
F.A.P. RT. 345 - SEC. 98-00153-02-BR  
DU PAGE COUNTY  
STATION 107+17.50  
STRUCTURE NO. 022-3011

T:\18835 Thomdale Phase II\Struct\Cadd\Pre\final\0223011-00153-005.dgn  
31-DEC-2008 14:01