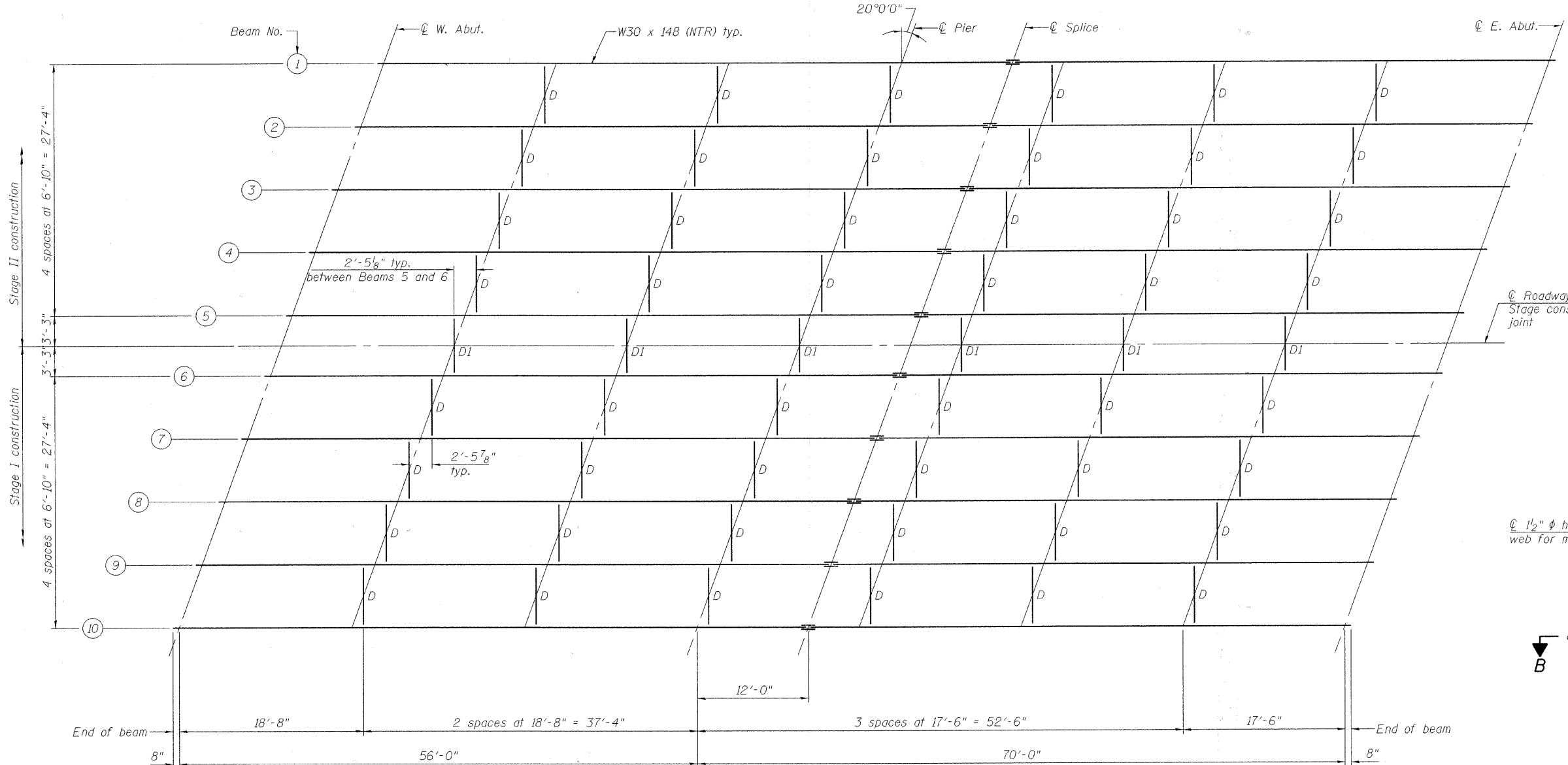


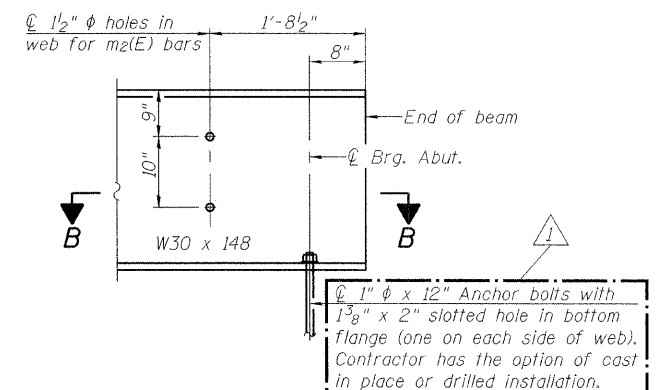
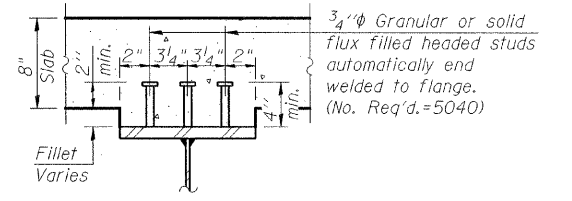
STATE OF ILLINOIS
DEPARTMENT OF TRANSPORTATION

ROUTE NO.	SECTION	COUNTY	TOTAL SHEETS	SHEET NO.
345	++	DU PAGE	65	46
SHEET NO. 16 25 SHEETS				

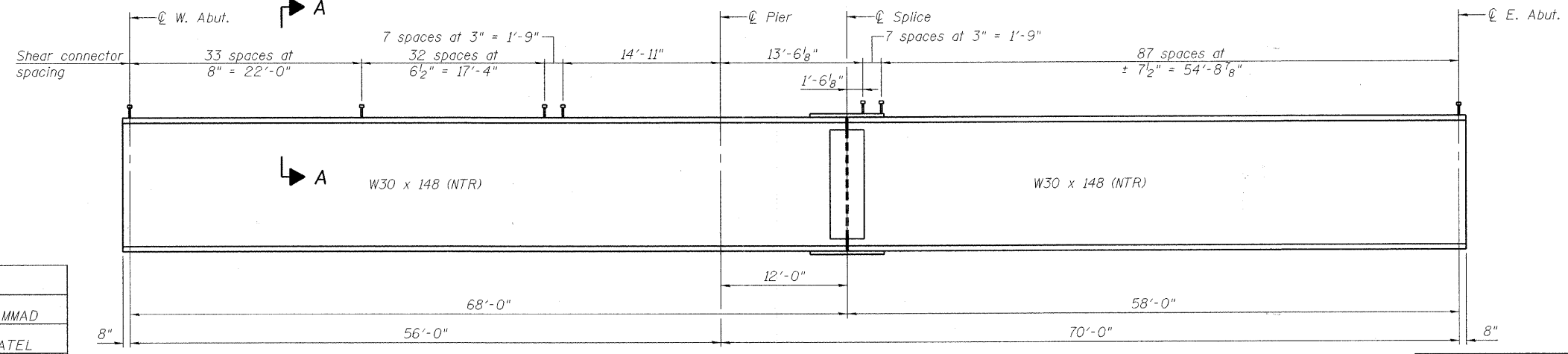
FED. ROAD DIST. NO. 7 ILLINOIS FED. AID PROJECT
++ 98-00153-02-BR
Contract No. 63077



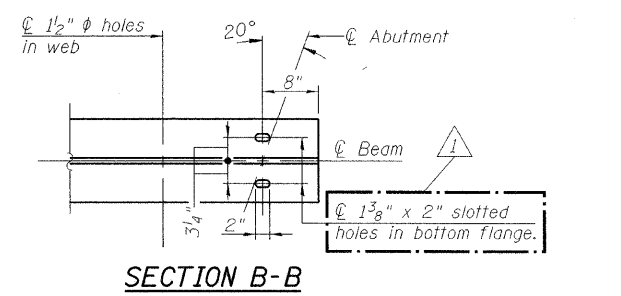
Note:
Install Diaphragm D1 in stage II construction.
All steel shall be conformed to AASHTO M270 Grade 50W.
Load carry components designated "NTR" shall conform to the supplemental requirements for notch toughness, zone 2.



PLAN



TYP. END OF BEAM ELEVATION



FRAMING PLAN AND BEAM DETAILS
F.A.P. RT. 345 - SEC. 98-00153-02-BR
DU PAGE COUNTY
STATION 107+17.50
STRUCTURE NO. 022-3011

DESIGNED	J. ZUO
CHECKED	A. HAMMAD
DRAWN	D.C. PATEL
CHECKED	J. GRAINAWI



T:\1635 Thomdale PhaseII\Struct\Cadd\Prefinal\00163-016.dgn 31-DEC-2008 4:03