

BIKE PATH	AC TYPE	AIR VOIDS
HOT-MIX ASPHALT SURFACE COURSE, MIX C, N50 (IL 9.5mm)	PG 64-22	4% @ 50 GYR
HOT-MIX ASPHALT BINDER COURSE, IL-19.0, N50	PG 64-22**	4% @ 50 GYR

THE UNIT WEIGHT USED TO CALCULATE ALL HMA SURFACE MIXTURE QUANTITIES IS 112 LBS/SQ YD/IN

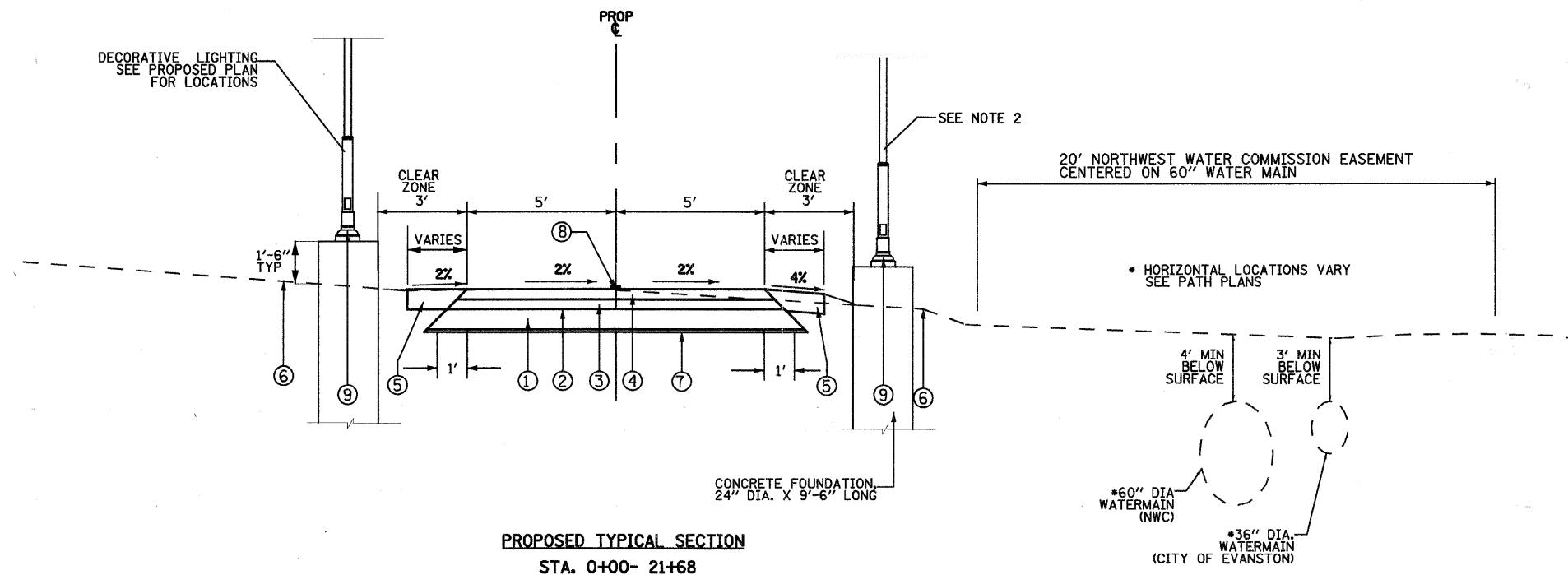
\*\* WHEN RAP EXCEEDS 20%, THE NEW ASPHALT BINDER IN THE MIX SHALL BE PG 58-22

**NOTE 1:**

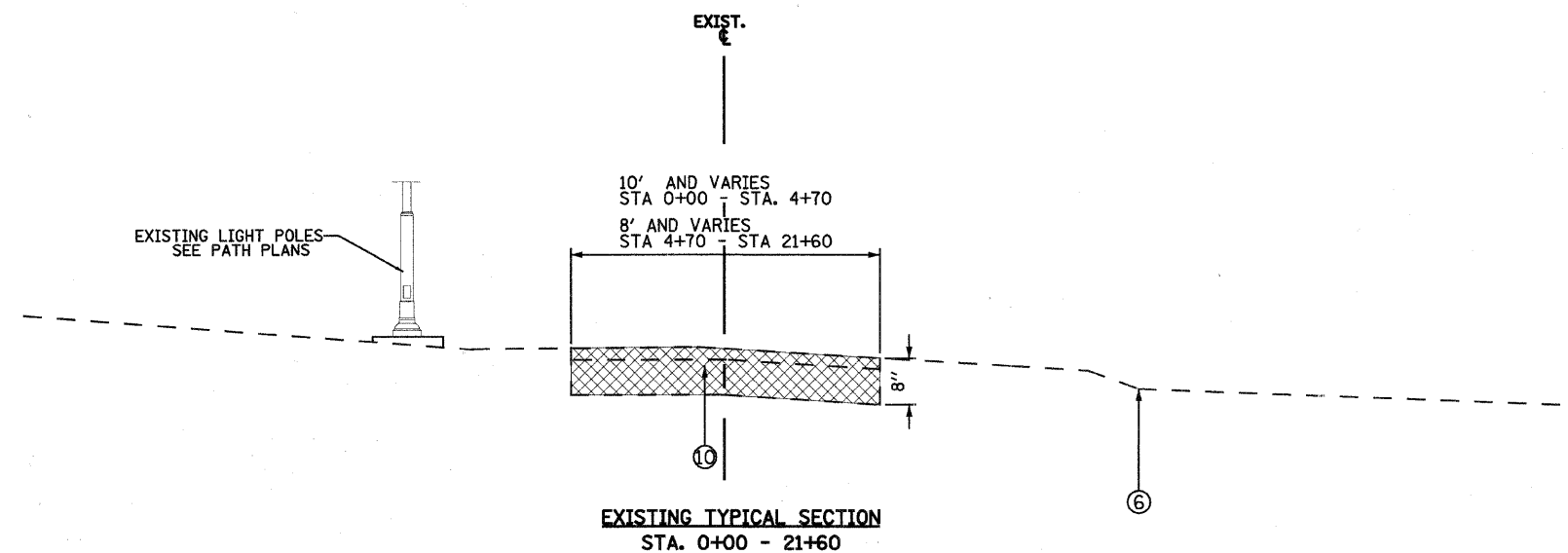
AT LOCATIONS OF UNSUITABLE MATERIAL, AS DETERMINED BY THE ENGINEER, THE SUBGRADE TREATMENT WILL CONSIST OF EXCAVATION OF UNSUITABLE MATERIAL, PLACEMENT OF THE GEOTECHNICAL FABRIC FOR GROUND STABILIZATION, PLACEMENT OF POROUS GRANULAR EMBANKMENT, SUBGRADE, FOLLOWED BY THE CONSTRUCTION OF THE REST OF THE TYPICAL SECTION.

**NOTE 2:**

NO PROPOSED RELOCATED OR NEW LIGHT POLE FOUNDATIONS SHALL BE LOCATED WITHIN THE EXISTING 20-FT EASEMENT OF THE 60-IN NORTHWEST WATER COMMISSION WATERMAIN. SEE PATH PLANS FOR LOCATIONS



**PROPOSED TYPICAL SECTION**  
STA. 0+00- 21+68



**EXISTING TYPICAL SECTION**  
STA. 0+00 - 21+60

**LEGEND:**

- ① AGGREGATE BASE COURSE, TYPE B, 8"
- ② BITUMINOUS PRIME COAT
- ③ HOT-MIX ASPHALT BINDER COURSE, IL-19.0, N50, 2 1/4"
- ④ HOT-MIX ASPHALT SURFACE COURSE, MIX "C", N50, 1 1/2"
- ⑤ 4" TOP SOIL AND SEEDING CLASS 2A
- ⑥ EXISTING GROUND
- ⑦ GEOTECHNICAL FABRIC FOR GROUND STABILIZATION (FOR LENGTH OF BIKE PATH)
- ⑧ PAINT PAVEMENT MARKING, 4" YELLOW, SOLID
- ⑨ PROPOSED DECORATIVE LIGHT
- ⑩ EXISTING PATH REMOVAL

REVISIONS	
NAME	DATE

**URS** 100 S. WACKER DR., SUITE 500 TEL: 312-939-1000  
CHICAGO IL, 60606 FAX: 312-939-4198

CITY OF EVANSTON  
TWIGGS PARK  
TYPICAL CROSS SECTIONS

DATE: 6/20/08

DRAWN BY: LLM  
CHECKED BY: BA