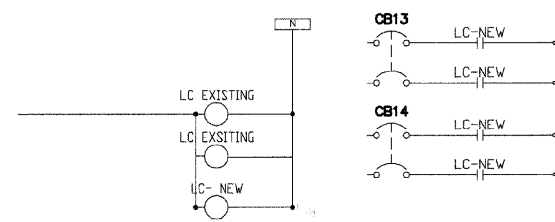
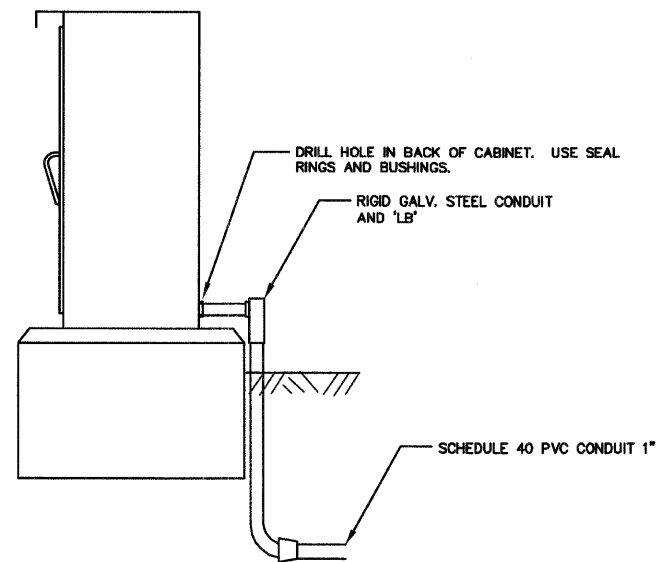


EXISTING LIGHTING CABINET DETAIL



NEW LIGHT FIXTURES AT EAST END OF PATH

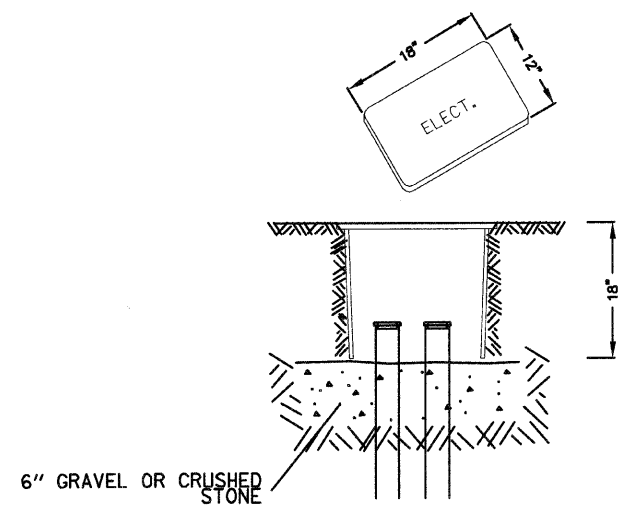
NEW LIGHT FIXTURES AT PARKING LOT

NOTES

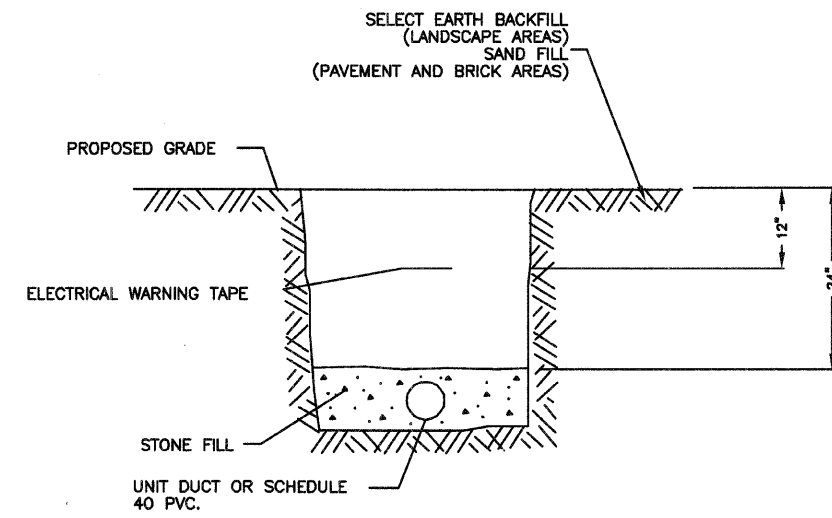
1. INSTALL NEW LIGHTING CONTACTOR IN PARALLEL WITH EXISTING LIGHTING CONTACTOR.
2. INSTALL TWO NEW 2 POLE CIRCUIT BREAKERS IN EXISTING PANELBOARD AND TO NEW LIGHTING CONTACTOR
3. CONNECT TWO NEW LIGHTING CIRCUITS TO THE NEW LIGHTING CONTACTOR.

LEGEND

- PROPOSED LIGHT
- EXISTING LIGHT TO REMAIN
- EXISTING LIGHTING CONTROLLER
- PROPOSED GULFBOX
- EXISTING HANDHOLE
- EXISTING ELECTRICAL LINE
- PROPOSED ELECTRIC LINE
- CIRCUIT BREAKER NUMBER  
LIGHT UNIT IN CIRCUIT
- LP A-B  
XXXX + XXX — STATION NUMBER



GULF BOX JUCTION



TRENCH DETAIL

From	To	CONDUIT IN TRENCH, 1" PVC (FT)	ELECT CABLE IN CONDUIT 1/C#10 (FT)	GULFBOX JUNCTION EACH	TRENCH AND BACKFILL FOR ELECTRICAL FOOT	LIGHT POLE FOUNDATION FOOT	MODIFY EXISTING LIGHTING CONTROLLER EACH	ORNAMENTAL LIGHTING UNIT COMPLETE EACH	ROTATE LIGHT FIXTURES EACH
West End									
18+78.2 (LP A-3)	17+38.4 (LP A-2)	149	495	149		9.5		1	
17+38.4 (LP A-2)	16+26.2 (LP A-1)	107	369	107		9.5		1	
16+26.2 (LP A-1)	H-1	50	198	50	1	9.5		1	
H-1	Existing Pole at Shelter	5	39	5					
East End									
Control Box	04+33.6 (LP 13-1)	180	990	180		9.5	1	1	
04+33.6 (LP 13-1)	03+49.7 (LP 13-2)	87	515	87		9.5		1	
03+49.7 (LP 13-2)	02+32.2 (LP 13-3)	104	600	104		9.5		1	
02+32.2 (LP 13-3)	01+35.7 (LP 13-4)	103	357	103		9.5		1	
01+35.7 (LP 13-4)	00+51.8 (LP 13-5)	79	285	79		9.5		1	
Parking Lot									
HAND HOLE H-2	LP 14-1	78	282	78	1	9.5		1	
LP 14-1	LP 14-2	72	264	72		9.5		1	
LP 14-2	LP 14-3	90	318	90		9.5		1	
Existing Fixtures									
05+00	10+00								5
10+00	16+00								4
21+00	Bridge St.								1
Total		1104	4702	1104	2	104.5	1	12	10

REVISIONS	
NAME	DATE

**URS** 100 S. WACKER DR., SUITE 500 TEL (312)-939-1000  
CHICAGO IL, 60606 FAX (312)-939-4198

CITY OF EVANSTON  
TWIGGS PARK  
LIGHTING DETAILS

DATE : 6/20/08  
DRAWN BY : LLM  
CHECKED BY : BA