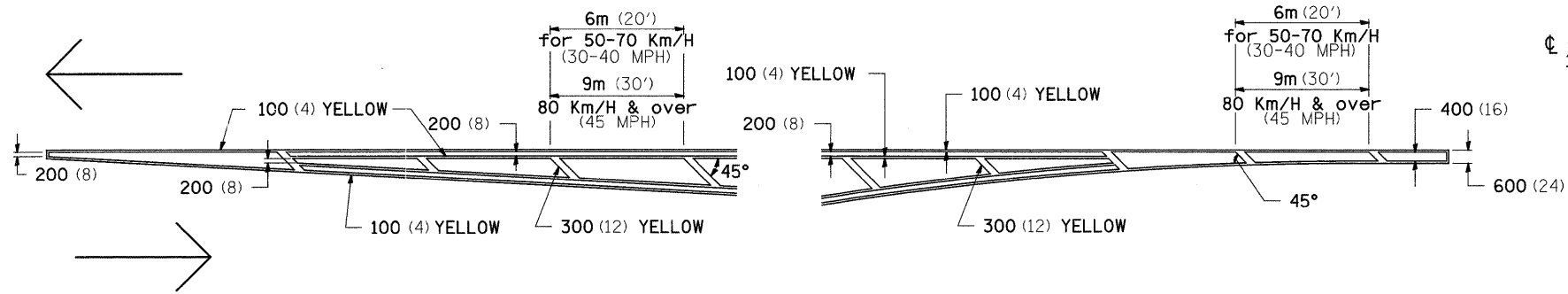
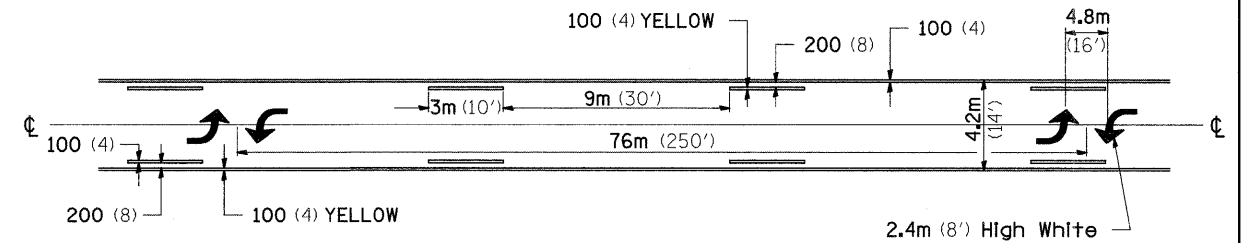


TYPICAL PAVEMENT MARKINGS

TYPICAL PAVEMENT MARKING FOR FLUSH MEDIAN AT LEFT TURN LANE

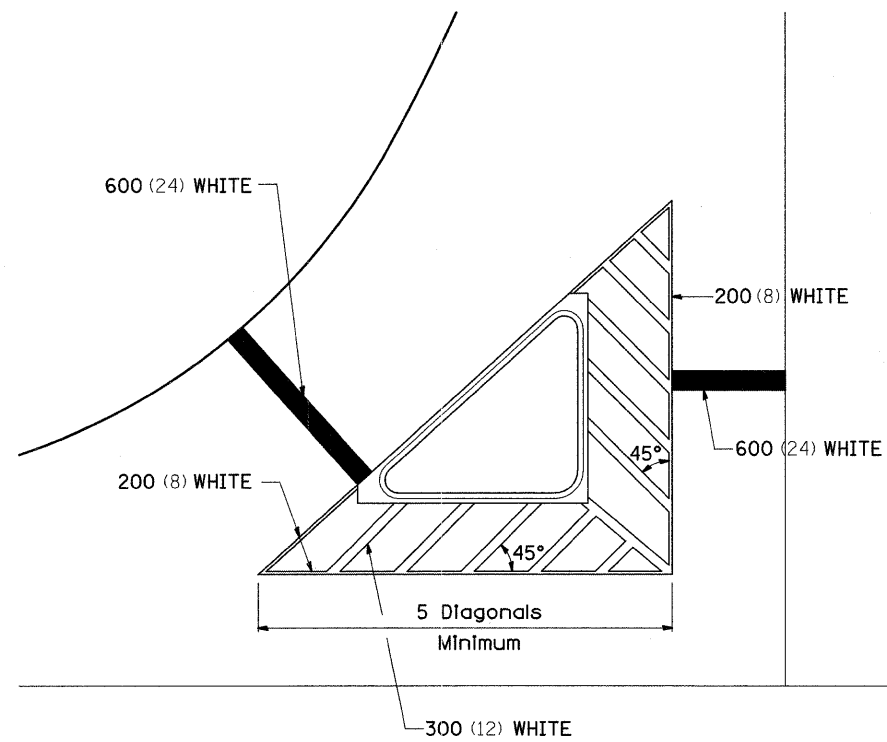


MEDIAN PAVEMENT MARKING

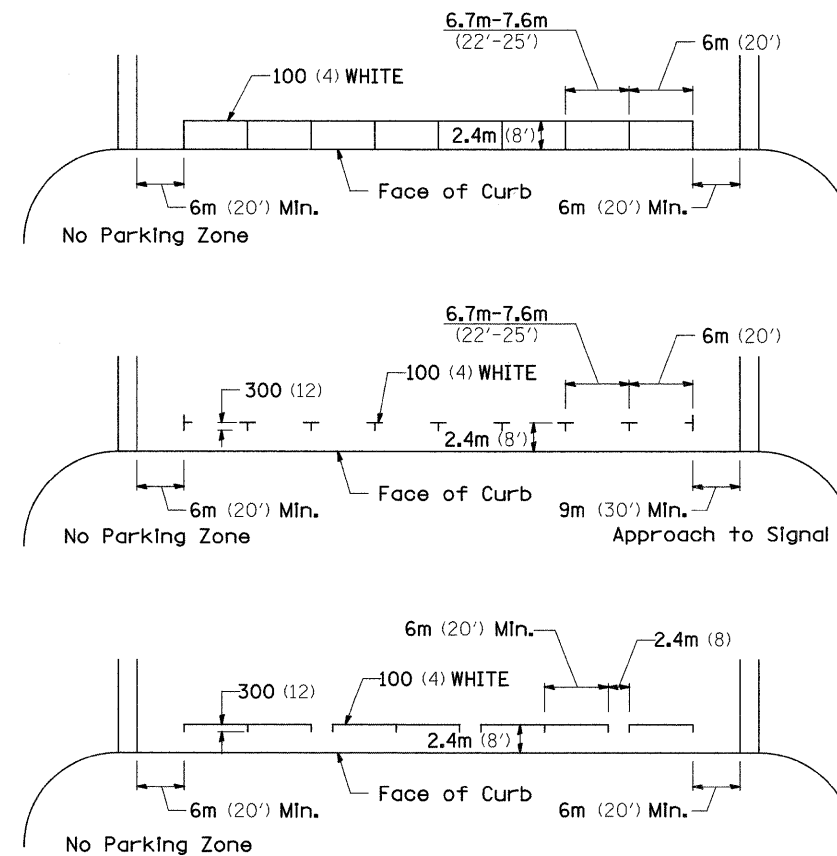


•• ALL DIMENSIONS ARE IN MILLIMETERS (INCHES) UNLESS OTHERWISE NOTED.

TYPICAL ISLAND OFFSET SHOULDER WIDTH

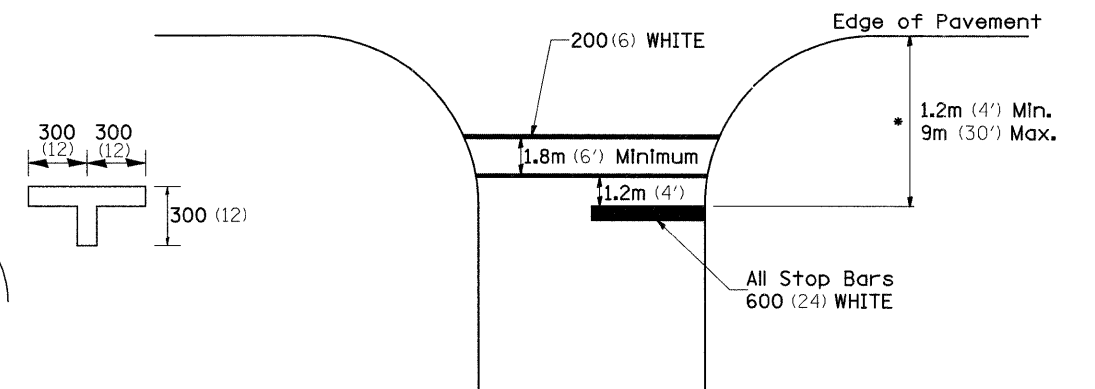


TYPICAL PARKING SPACING



STANDARD CROSSWALK MARKING

See Schedules for Locations



* Distance to the nearest edge of the intersecting roadway in the absence of a marked crosswalk.

FILE NAME =	USER NAME = dossed	DESIGNED -	REVISED - 1-11-08	STATE OF ILLINOIS DEPARTMENT OF TRANSPORTATION	REGION 2 / DISTRICT 2 STANDARD				F.A.P. RTE.	SECTION	COUNTY	TOTAL SHEETS	SHEET NO.
c:\pwwork\pwwork\dossed\dms34506\dl1806.spl.dgn	PLOT SCALE = 50.0000' / IN.	DRAWN -	REVISED -		301	24T-5	JODAVIESS	43	31				
PLOT DATE = Wed Oct 08 14:07:43 2008	DATE -	CHECKED -	REVISED -		CONTRACT NO. 64C69				FED. ROAD DIST. NO.	ILLINOIS FED. AID PROJECT			
		DATE -	REVISED -		SCALE:	SHEET NO.	OF SHEETS	STA.	TO STA.				