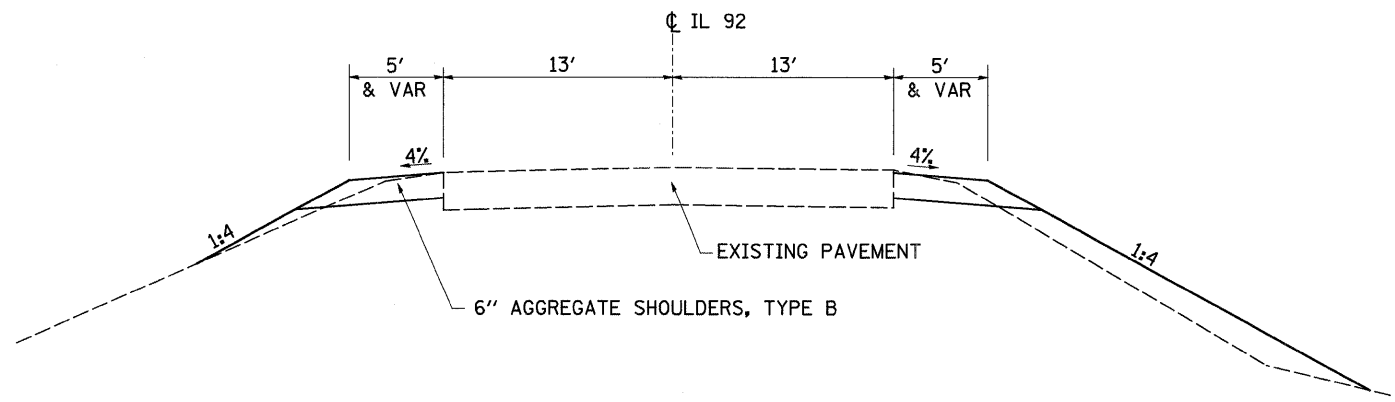
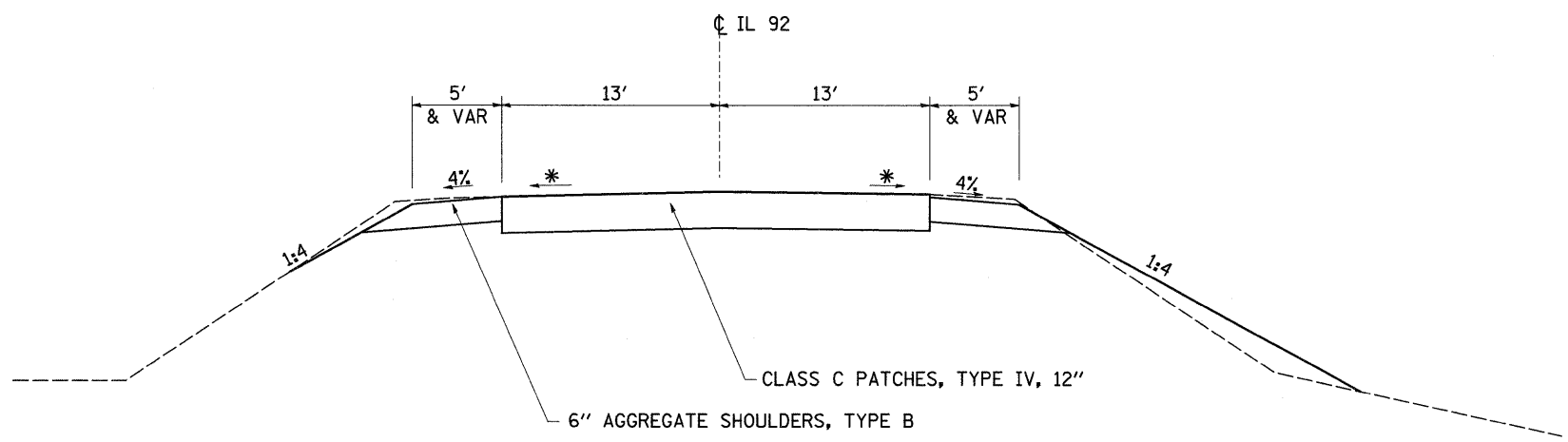


# TYPICAL SECTIONS

STA. 1094+63 RT TO STA. 1097+00 RT  
 STA. 1095+60.48 LT TO STA. 1097+00 LT



STA. 1096+11 - STA. 1096+64



\* MATCH EXISTING MAINLINE SLOPE

FILE NAME =	USER NAME = hensonke	DESIGNED -	REVISED -	<b>STATE OF ILLINOIS DEPARTMENT OF TRANSPORTATION</b>	<b>TYPICAL SECTIONS</b>				F.A.P. RTE.	SECTION	COUNTY	TOTAL SHEETS	SHEET NO.		
at\p\work\p\dot\hensonke\dms31385\d00707.tpdgn		DRAWN -	REVISED -		SCALE:	SHEET NO.	OF	SHEETS	STA.	TO STA.	599	(42MFT)-1	ROCK ISLAND	26	7
		CHECKED -	REVISED -		CONTRACT NO. 64C76										
		DATE -	REVISED -		FED. ROAD DIST. NO. ILLINOIS FED. AID PROJECT										