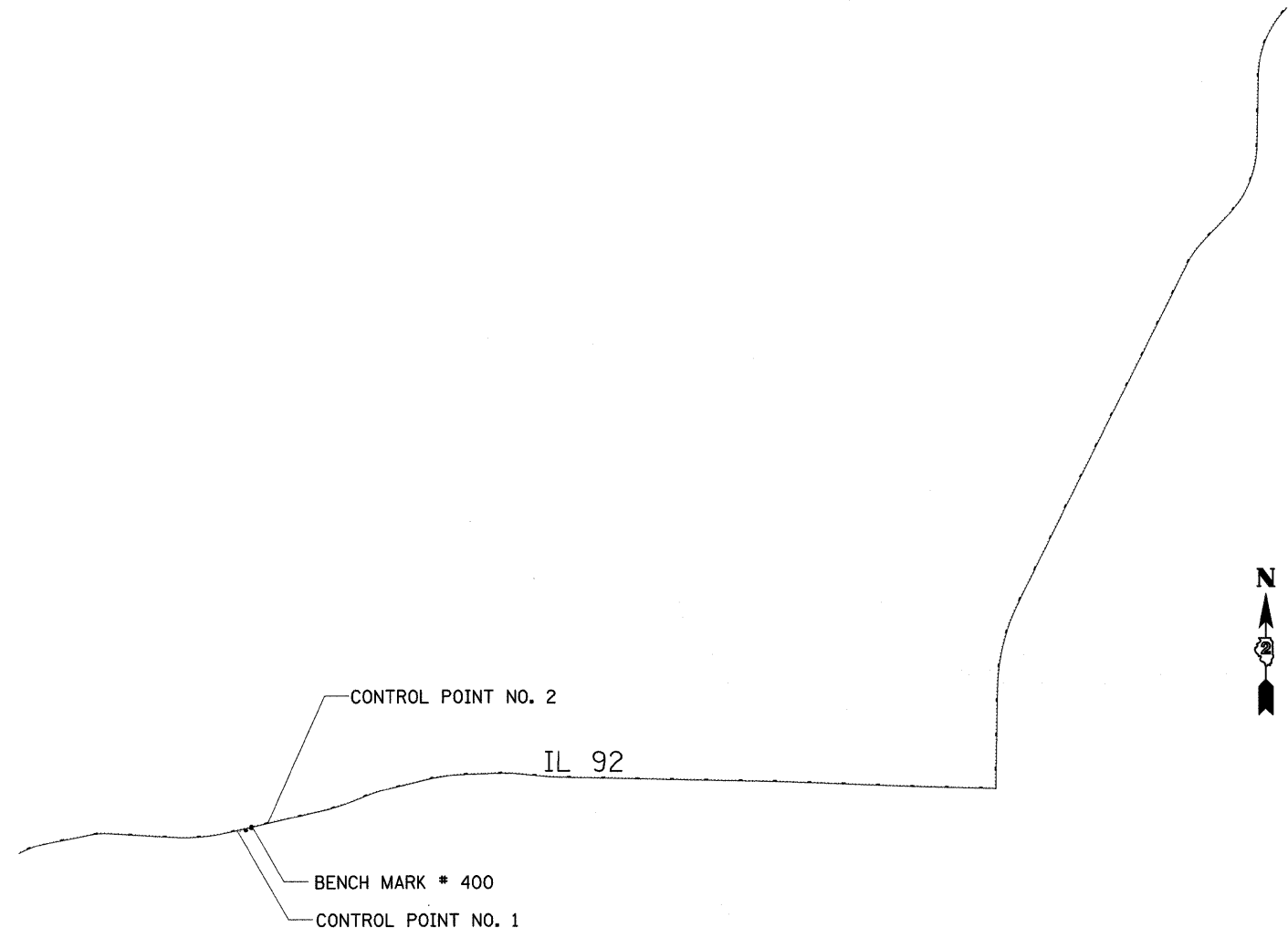
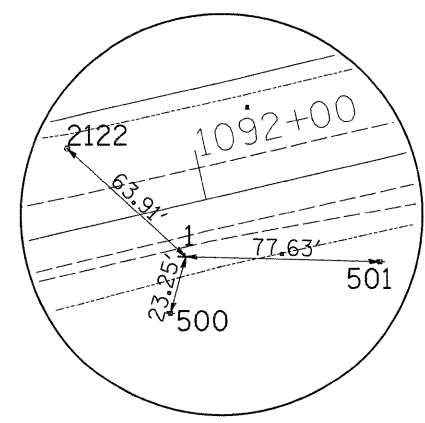


# HORIZONTAL & VERTICAL CONTROL

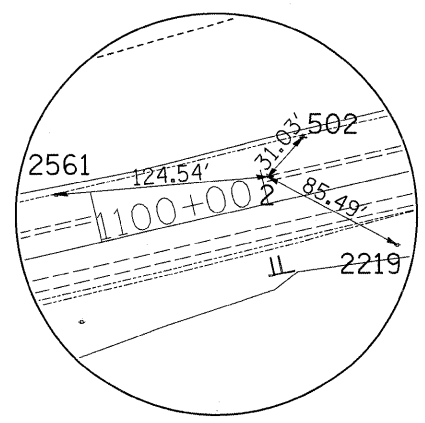
CURVE POINT NUMBERS					
CHAIN	CURVE	PI	CC	PC	PT
IL92	200	200	201	202	203
IL92	210	210	211	212	213
IL92	220	220	221	222	223
IL92	230	230	231	232	233
IL92	240	240	241	242	243
IL92	250	250	251	252	253
IL92	260	260	261	262	263
IL92	270	270	271	272	273
IL92	280	280	281	282	283
IL92	290	290	291	292	293
IL92	300	300	301	302	303
IL92	310	310	311	312	313
IL92	320	320	321	322	323
IL92	330	330	331	332	333



REFERENCE TIES				
POINT	CHAIN	STATION	OFFSET	DESCRIPTION
500	IL92	1091+75.9915	40.8008' RT	POWER POLE, SHINER
501	IL92	1092+62.0553	39.7639' RT	POWER POLE, SHINER
502	IL92	1101+28.9466	33.2654' LT	WARNING SIGN
2122	IL92	1091+50.5467	32.1931' LT	TREE DECIDUOUS 46 IN
2219	IL92	1101+68.3950	40.1197' RT	POWER POLE
2561	IL92	1099+80.0822	32.8907' LT	POWER POLE



HORIZONTAL CONTROL POINT NO. 1



HORIZONTAL CONTROL POINT NO. 2

HORIZONTAL CONTROL POINTS							
POINT	NORTH	EAST	ELEVATION	CHAIN	STATION	OFFSET	DESCRIPTION
1	1738894.4349	2150073.9265	592.1670	IL92	1091+87.14	19.7095' RT	GPS CONTROL POINT, PIN
2	1739134.7005	2150958.9668	594.5543	IL92	1101+03.52	15.9782' LT	GPS CONTROL POINT, PIN

BENCH MARKS							
POINT	NORTH	EAST	ELEVATION	CHAIN	STATION	OFFSET	DESCRIPTION
400	1738985.7563	2150523.7054	591.2786	IL92	1096+45.94	31.571' RT	DITCH CHECK, CHISELED SQUARE

SURVEY WORK POINTS							
POINT	NORTH	EAST	ELEVATION	CHAIN	STATION	OFFSET	DESCRIPTION
100	1738919.9996	2150312.7499	596.5998	IL92	1094+25.61	48.349' RT	TRAVERSE STATION, NAIL
101	1739027.9620	2150483.7330	592.4374	IL92	1096+16.45	18.5232' LT	TRAVERSE STATION, NAIL
102	1738985.1712	2150478.0713	593.0817	IL92	1096+01.34	21.9083' RT	TRAVERSE STATION, NAIL