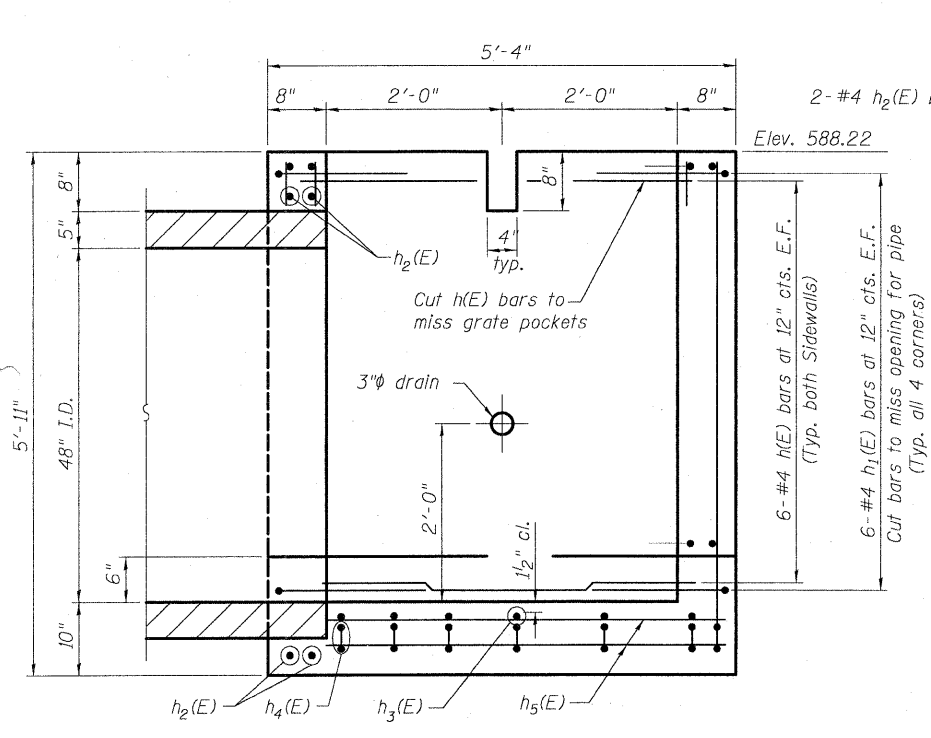


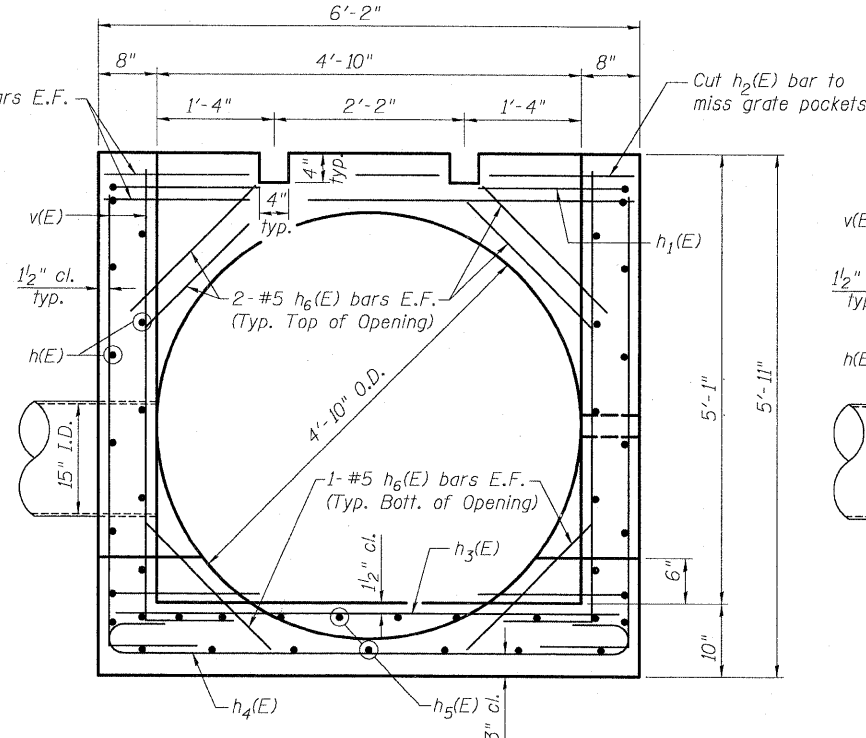
STATE OF ILLINOIS  
DEPARTMENT OF TRANSPORTATION

F.A.P. RTE.	SECTION	COUNTY	TOTAL SHEETS	SHEET NO.
599	(42MFT) T-1	ROCK ISLAND	24	17
STA.	TO STA.			
FED. ROAD DIST. NO. ILLINOIS FED. AID PROJECT				

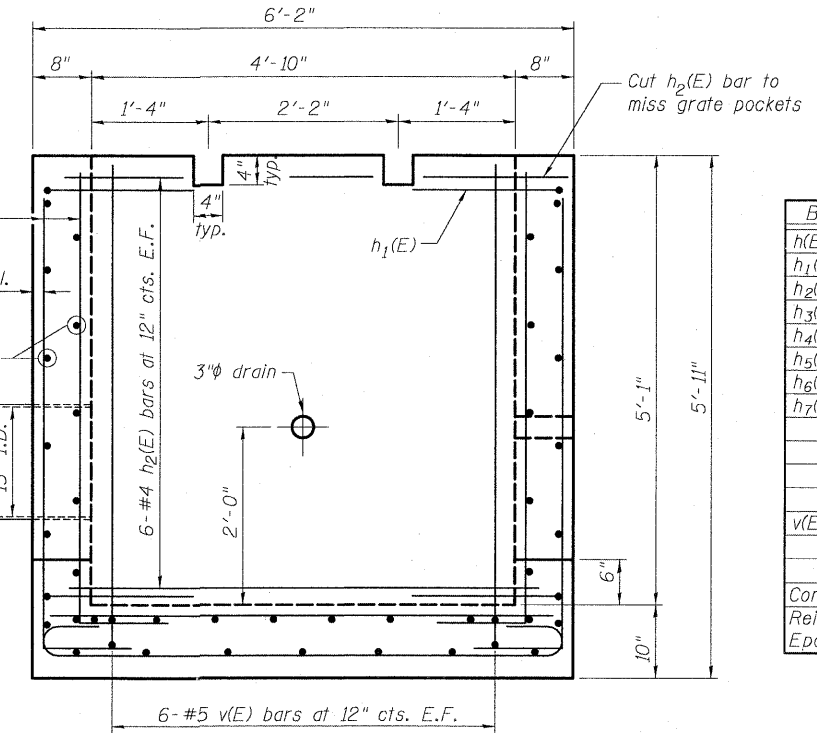
CONTRACT # 64C76



**SECTION B-B**  
(View of West Wall)



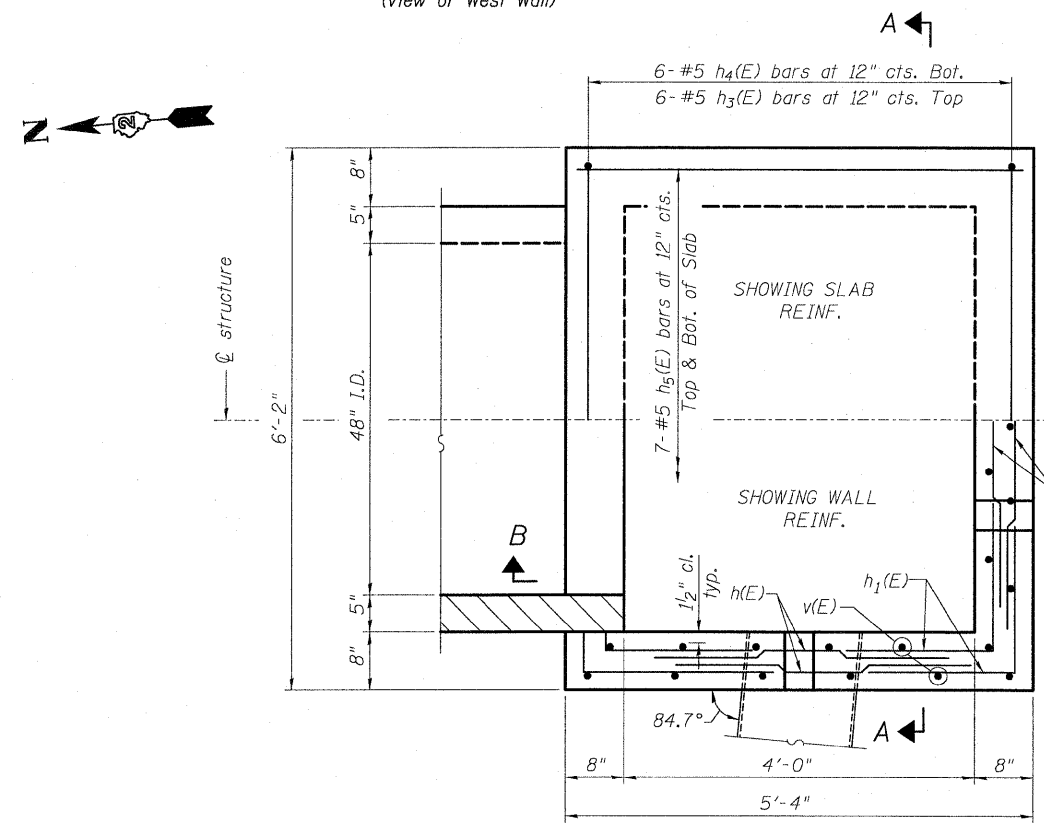
**SECTION A-A**  
(View of North Wall)



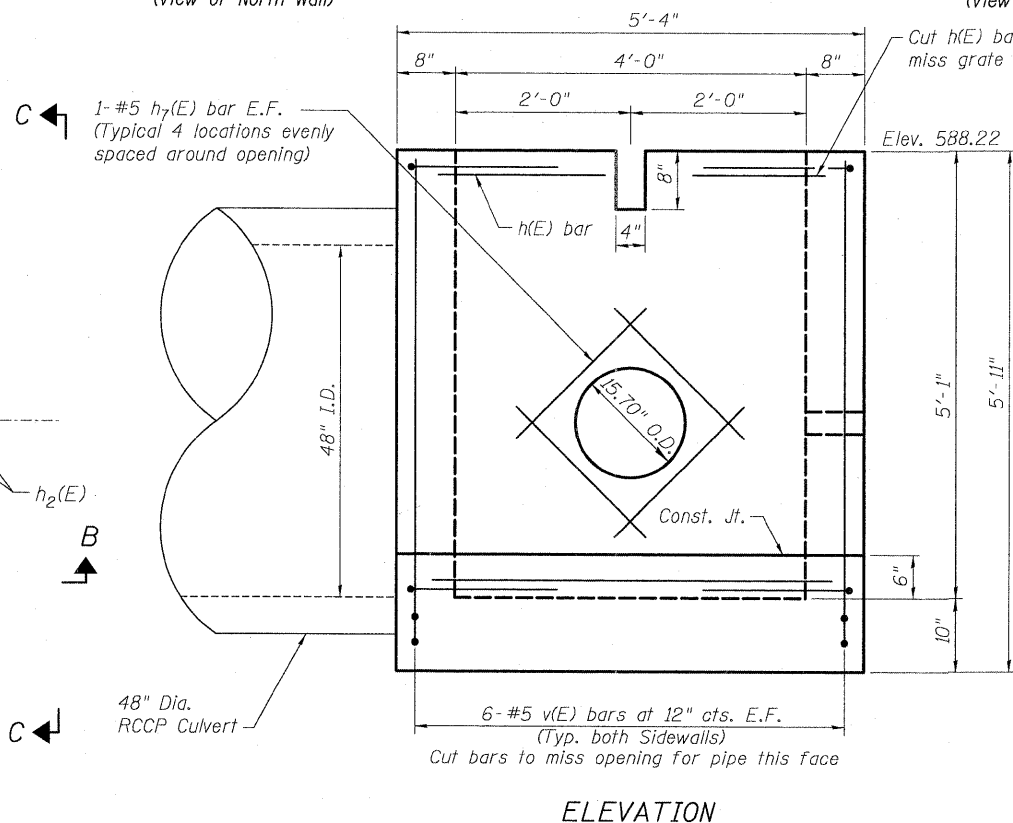
**SECTION C-C**  
(View of South Wall)

**BILL OF MATERIAL**  
(For information only)

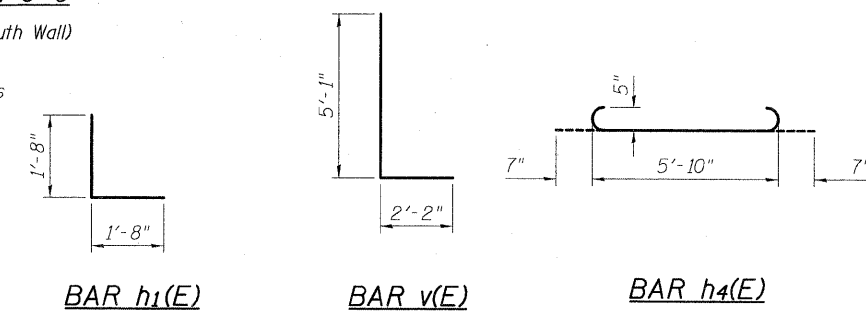
Bar	No.	Size	Length	Shape
h(E)	24	#4	5'-1"	—
h1(E)	48	#4	3'-4"	—
h2(E)	18	#4	5'-11"	—
h3(E)	6	#5	5'-11"	—
h4(E)	6	#5	7'-0"	—
h5(E)	14	#5	5'-1"	—
h6(E)	12	#5	3'-1"	—
h7(E)	8	#5	1'-10"	—
v(E)	36	#5	7'-3"	—
Concrete Structures		Cu. Yd.	3.1	
Reinforcement Bars, Epoxy Coated		Pound	730	



**PLAN**



**ELEVATION**  
(View of East Wall)



**GENERAL NOTES**

Reinforcement bars designated (E) shall be epoxy coated. Reinforcement bars shall conform to the requirements of ASTM A706 Gr. 60 (IL Modified) See Special Provisions. The contractor shall be responsible for diverting the water flow from the construction area using a method meeting the approval of the Engineer. Cost included with "Drop Box No. 1". Drain holes shall be constructed in accordance with section 503.11. For details of galvanized steel pipe grate see sheet 15. Concrete Structures shall be according to the applicable portions of Articles 503 and 540. Reinforcement Bars, Epoxy Coated shall be according to the applicable portions of Article 508. This work will be paid for at the unit cost per Each for DROP BOX NO. 1

**DROP BOX NO. 1**  
**REINFORCEMENT DETAILS**  
**FAP ROUTE 599 (IL ROUTE 92)**  
**SECTION (42MFT) T-1**  
**ROCK ISLAND COUNTY**

DESIGNED	AEU
CHECKED	AEU/DS
DRAWN	AEU/DS
CHECKED	AEU/DS

**RHA&A**  
Robert H. Anderson & Associates, Inc.  
Consulting Engineers  
Illinois Department of Financial and Professional Regulation  
Professional Design Firm  
License No. 184.005281



*Andrew E. Underwager*  
Andrew E. Underwager  
Date: 10/3/2008  
License Expires: 11/30/2008