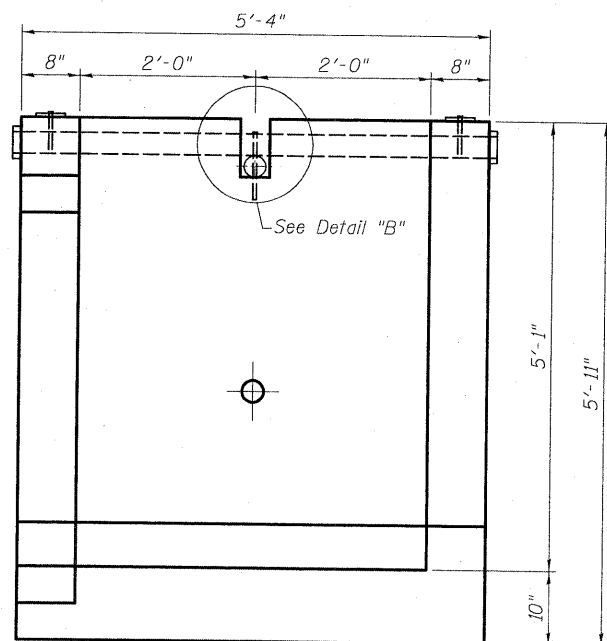


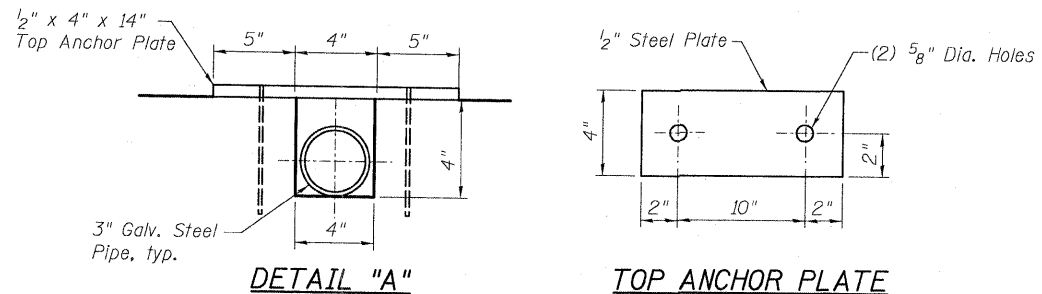
STATE OF ILLINOIS
DEPARTMENT OF TRANSPORTATION

F.A.P. RTE.	SECTION	COUNTY	TOTAL SHEETS	SHEET NO.
599	(42MFT) T-1	ROCK ISLAND	26	15
STA.		TO STA.		
FED. ROAD DIST. NO.		ILLINOIS FED. AID PROJECT		

CONTRACT # 64C76

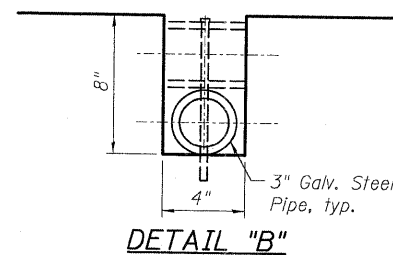


SECTION B-B



DETAIL "A"

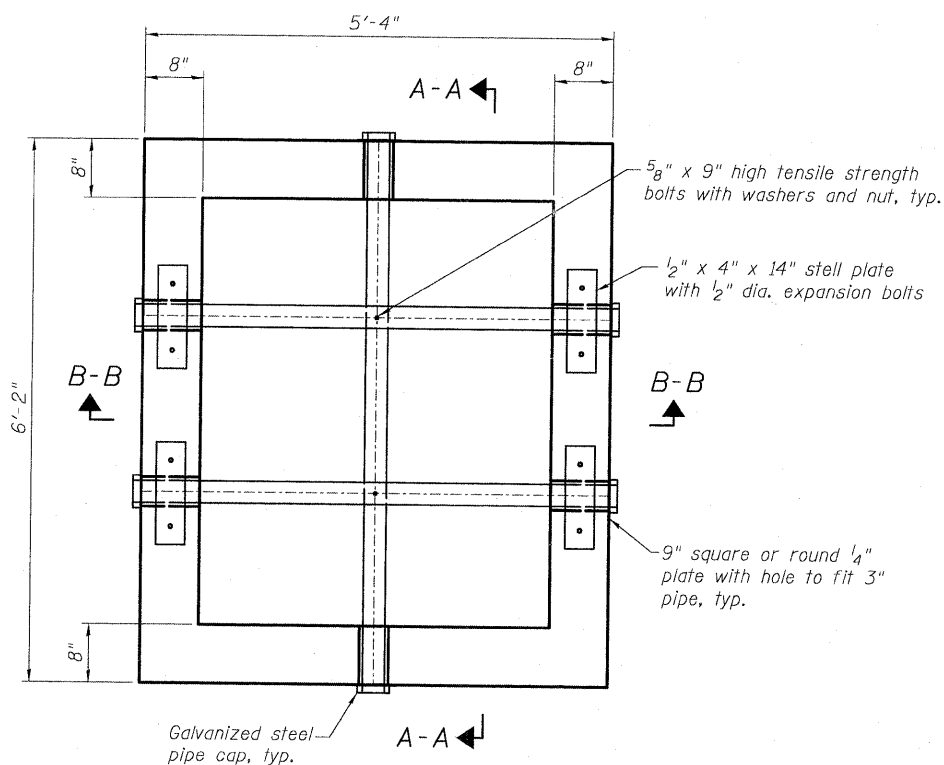
TOP ANCHOR PLATE



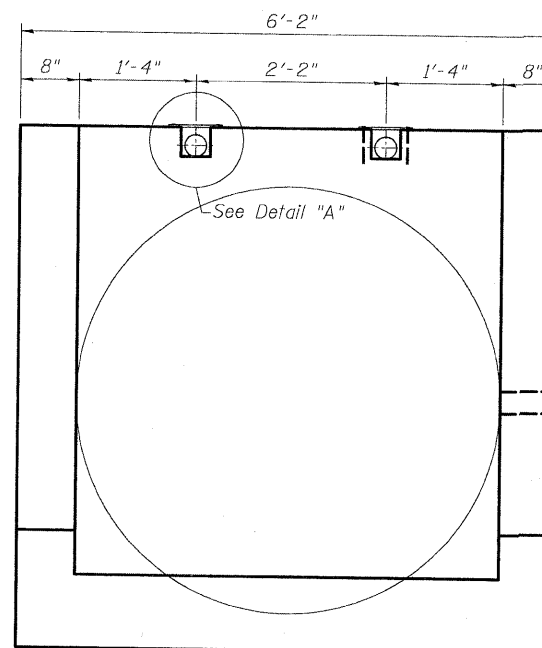
DETAIL "B"

BILL OF MATERIAL
(For information only)

Description	Unit	Qty.
3" Galvanized Steel Pipe	Foot	2 at 5'-8"
3" Galvanized Pipe Caps	Foot	1 at 6'-6"
3" Galvanized Pipe Caps	Each	6
1/4" Galv. Steel Plate (9" Nominal)	Each	6
1/2" x 4" x 14" Galv. Steel Plate	Each	4
5/8" x 9" Galv. Steel Bolts	Each	2
Expansion Bolts 1/2" Φ	Each	8



PLAN



SECTION A-A

GENERAL NOTES

The contract unit price "each" for DROP BOX NO. 1 shall include the Expansion Bolts, Galvanized Pipe, Bolts, Nuts, Washers and steel plates.

Steel Plates shall conform to AASHTO M-270 Grade 36 and shall be galvanized conforming to AASHTO M-111.

Bolts, nuts and washers shall be in accordance with Article 1006.08 (a) of the Standard Specifications and shall be galvanized.

Contractor to field verify galvanized pipe length.

DESIGNED	AEU
CHECKED	AEU/DS
DRAWN	AEU/DS
CHECKED	AEU/DS

RHA&A
Robert H. Anderson & Associates, Inc.
Consulting Engineers
Illinois Department of Financial and Professional Regulation
Professional Design Firm
License No. 184.005281

DROP BOX NO. 1
GRATE DETAILS
FAP ROUTE 599 (IL ROUTE 92)
SECTION (42MFT) T-1
ROCK ISLAND COUNTY