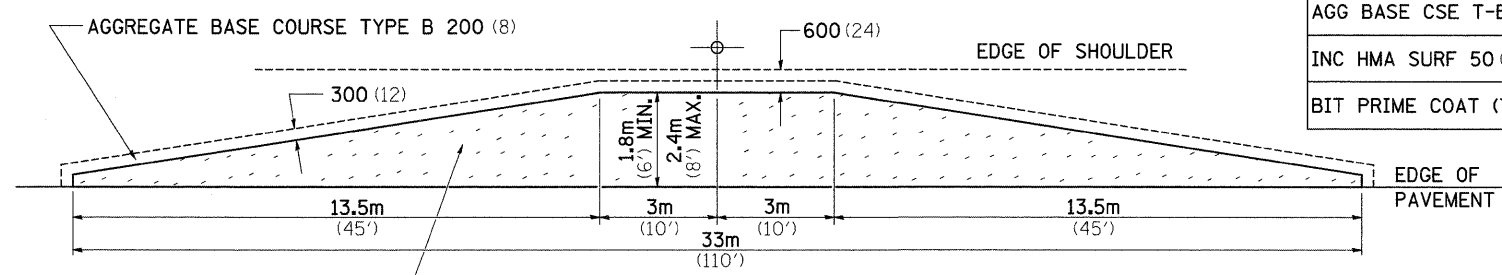
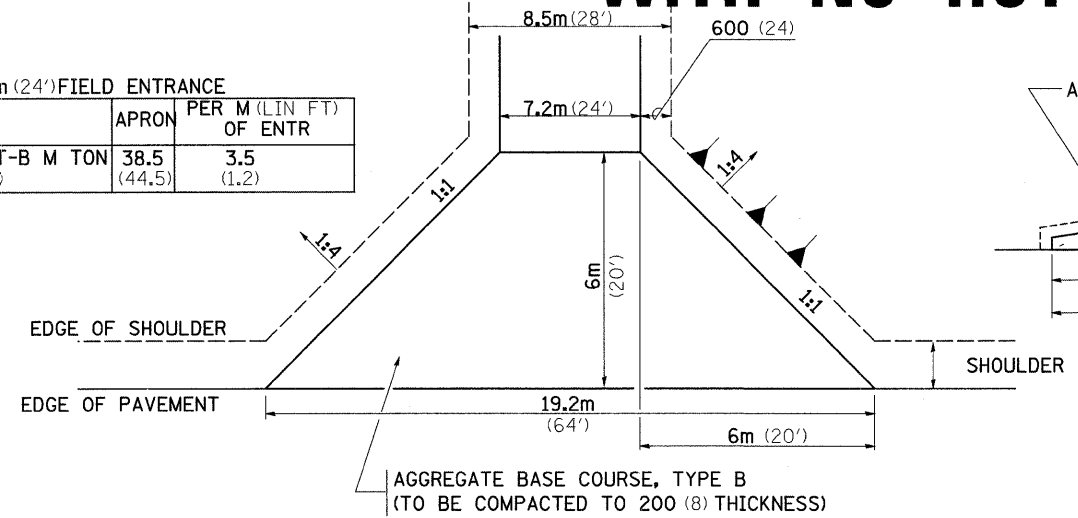


ENTRANCES, SIDE ROADS, AND MAILBOX RETURNS WITH NO HOT-MIX ASPHALT SHOULDERS

7.2m (24') FIELD ENTRANCE		
	APRON	PER M (LIN FT) OF ENTR
AGG BASE CSE T-B M (TON)	38.5 (44.5)	3.5 (1.2)



	1.8m (6')	2.4m (8')
AGG BASE CSE T-B (TON)	22.2 (24.5)	28.2 (31.1)
INC HMA SURF 50 (2) (TON)	5.3 (5.8)	7.1 (7.8)
BIT PRIME COAT (TON)	0.05 (0.06)	0.07 (0.08)

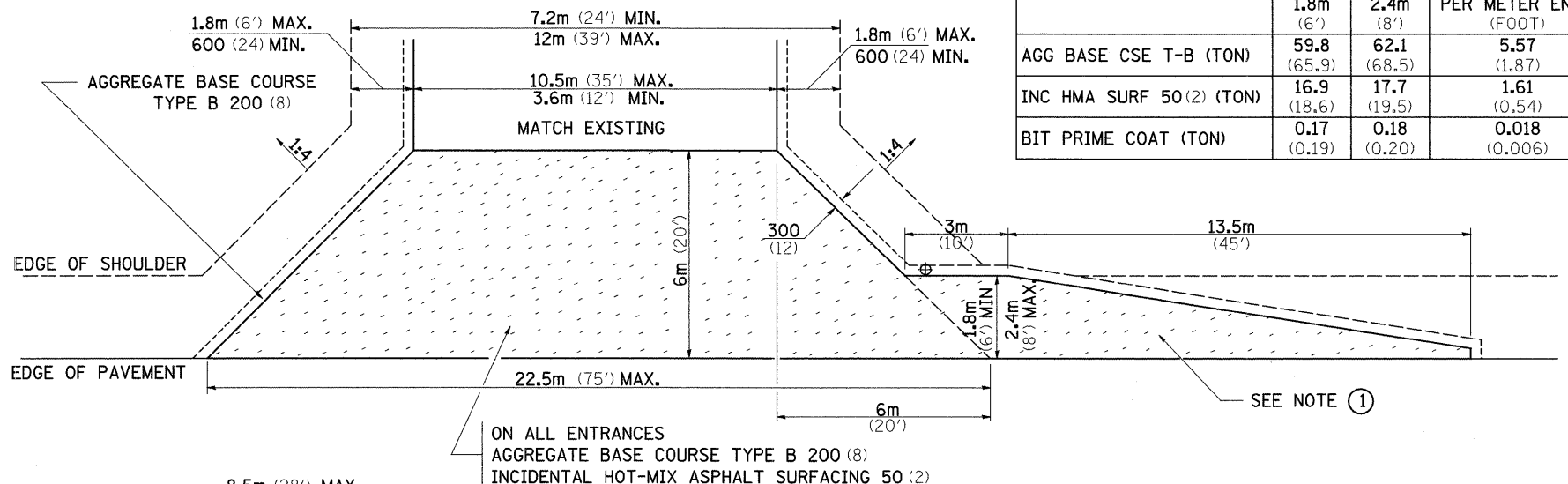
ON ALL ENTRANCES
AGGREGATE BASE COURSE TYPE B 200 (8)
INCIDENTAL HOT-MIX ASPHALT SURFACING 50 (2)

MAILBOX TURNOUT

NOTE

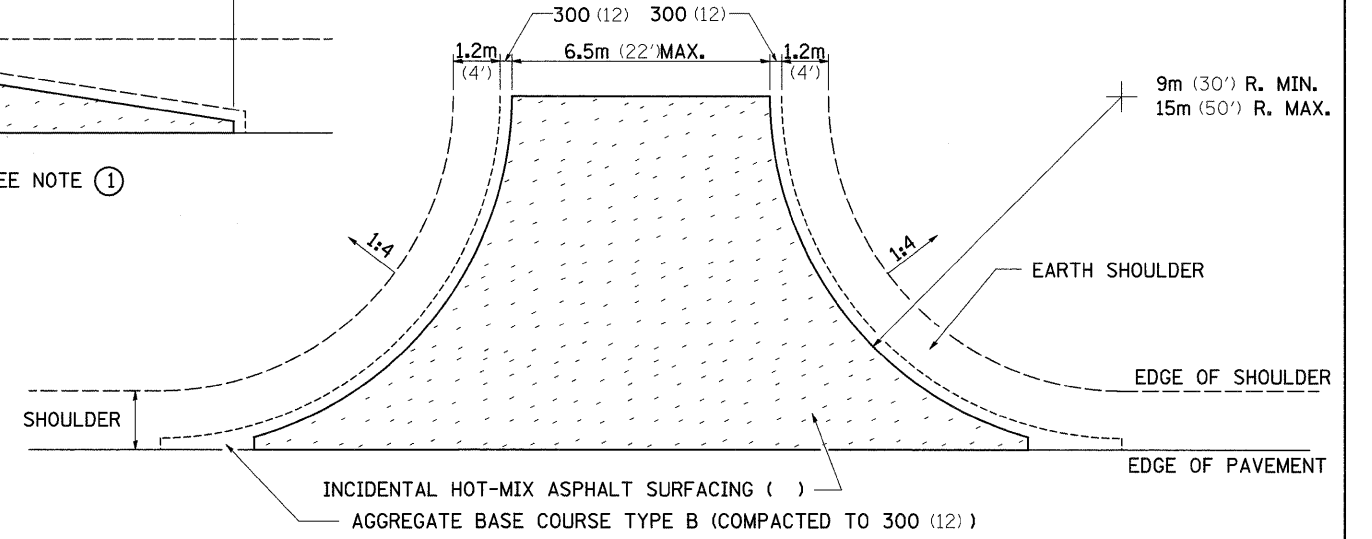
- TURNOUTS ARE TO BE CONSTRUCTED ON THE APPROACH SIDE OF ALL PE & CE REGARDLESS IF A MAILBOX IS PRESENT.
- ALL PE & CE ARE TO BE SURFACED TO RIGHT OF WAY LINE. AREA BEHIND RIGHT OF WAY SHALL MATCH EXISTING SURFACE.
- FE ARE TO BE AGGREGATE TO RIGHT OF WAY OR TOUCH DOWN, WHICH EVER IS GREATEST.
- QUANTITIES ARE CALCULATED WITH 1' BITUMINOUS SHOULDER IN PLACE. AGGREGATE QUANTITIES SHOWN ARE FOR NEW CONSTRUCTION.
- EXCAVATION REQUIRED FOR PLACEMENT OF AGGREGATE BASE COURSE SHALL BE CONSIDERED INCLUDED TO THE AGGREGATE BASE COURSE.
- ALL DIMENSIONS ARE IN MILLIMETERS (INCHES) UNLESS OTHERWISE NOTED.

10.5m (35') COMMERCIAL ENTRANCE			
	1.8m (6')	2.4m (8')	PER METER ENTR (FOOT)
AGG BASE CSE T-B (TON)	59.8 (65.9)	62.1 (68.5)	5.57 (1.87)
INC HMA SURF 50 (2) (TON)	16.9 (18.6)	17.7 (19.5)	1.61 (0.54)
BIT PRIME COAT (TON)	0.17 (0.19)	0.18 (0.20)	0.018 (0.006)



ON ALL ENTRANCES
AGGREGATE BASE COURSE TYPE B 200 (8)
INCIDENTAL HOT-MIX ASPHALT SURFACING 50 (2)

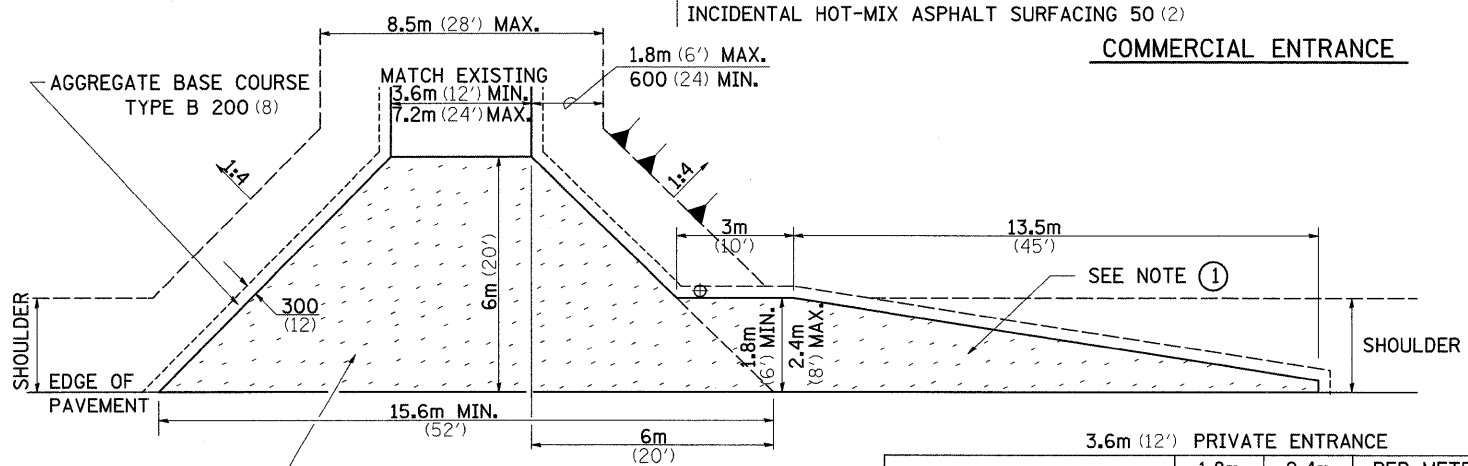
COMMERCIAL ENTRANCE



SIDE ROAD RETURN

	9m RADIUS (30')			12m RADIUS (40')			15m RADIUS (50')		
	5.5m (18')	6m (20')	6.5m (22')	5.5m (18')	6m (20')	6.5m (22')	5.5m (18')	6m (20')	6.5m (22')
AGG BASE CSE T-B (TON)	70.3 (77.5)	74.4 (82.0)	78.6 (86.6)	105.5 (116.3)	111.0 (122.4)	116.6 (128.5)	146.6 (161.6)	153.5 (169.2)	116.6 (176.8)
INC HMA SURF AT 25 (1) (TON)	5.3 (5.8)	5.5 (6.1)	5.9 (6.5)	8.0 (8.8)	8.4 (9.3)	9.0 (9.9)	11.1 (12.2)	11.7 (12.9)	9.0 (13.5)
BIT PRIME COAT (TON)	0.14 (0.15)	0.15 (0.16)	0.15 (0.17)	0.20 (0.22)	0.22 (0.24)	0.23 (0.25)	0.30 (0.33)	0.32 (0.35)	0.32 (0.37)

NOTE: USE 50 (2) INC. HMA SURF. ON EXISTING RETURNS



ON ALL ENTRANCES
AGGREGATE BASE COURSE TYPE B (TO BE COMPACTED TO 200 (8) THICKNESS)
INCIDENTAL HOT-MIX ASPHALT SURFACING 50 (2)

PRIVATE ENTRANCE

3.6m (12') PRIVATE ENTRANCE			
	1.8m (6')	2.4m (8')	PER METER ENTR (FOOT)
AGG BASE CSE T-B (TON)	39.7 (43.8)	42.0 (46.3)	2.11 (0.71)
INC HMA SURF 50 (2) (TON)	10.7 (11.8)	11.5 (12.7)	0.57 (0.19)
BIT PRIME COAT (TON)	0.11 (0.12)	0.18 (0.13)	0.006 (0.002)

FILE NAME =	USER NAME = hensonke	DESIGNED -	REVISED - 1-15-08
ct:\pw_work\pwsdot\hensonke\dms31385\000707sp1.dgn		DRAWN -	REVISED -
PLOT SCALE = 50.0000' / IN.		CHECKED -	REVISED -
PLOT DATE = Thu Oct 09 07:36:08 2008		DATE -	REVISED -

**STATE OF ILLINOIS
DEPARTMENT OF TRANSPORTATION**

REGION 2 / DISTRICT 2 STANDARD

F.A.P. RTE.	SECTION	COUNTY	TOTAL SHEETS	SHEET NO.
599	(42MFT)-1	ROCK ISLAND	26	20
FED. ROAD DIST. NO.	ILLINOIS FED. AID PROJECT	CONTRACT NO. 64C76		