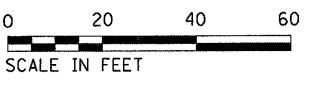
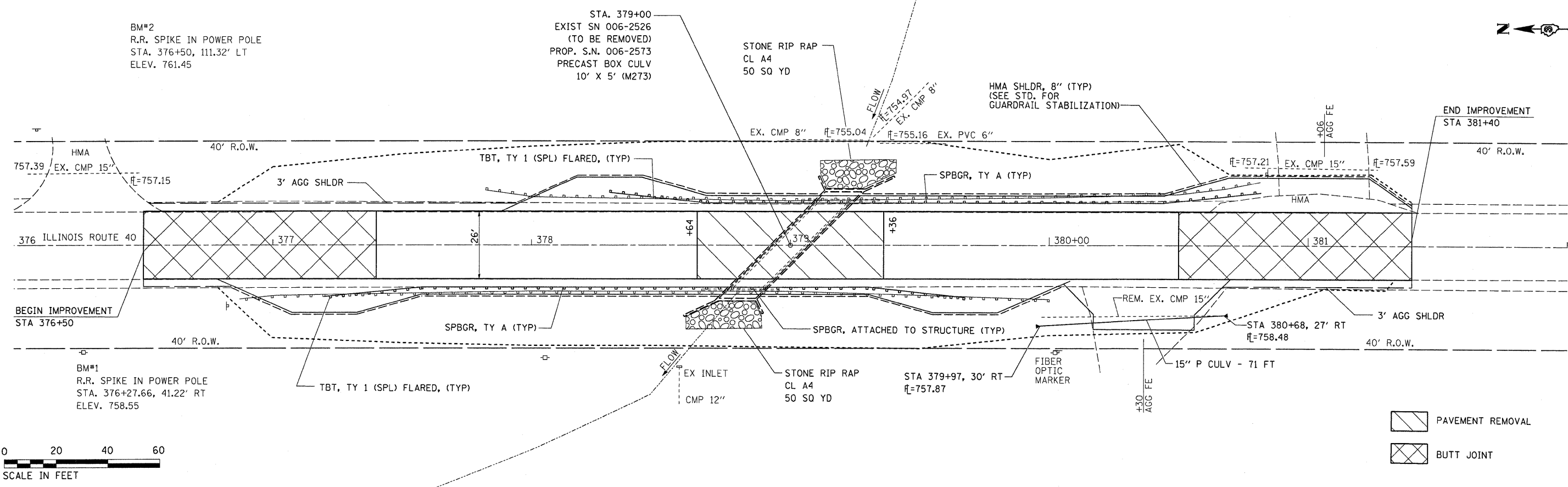
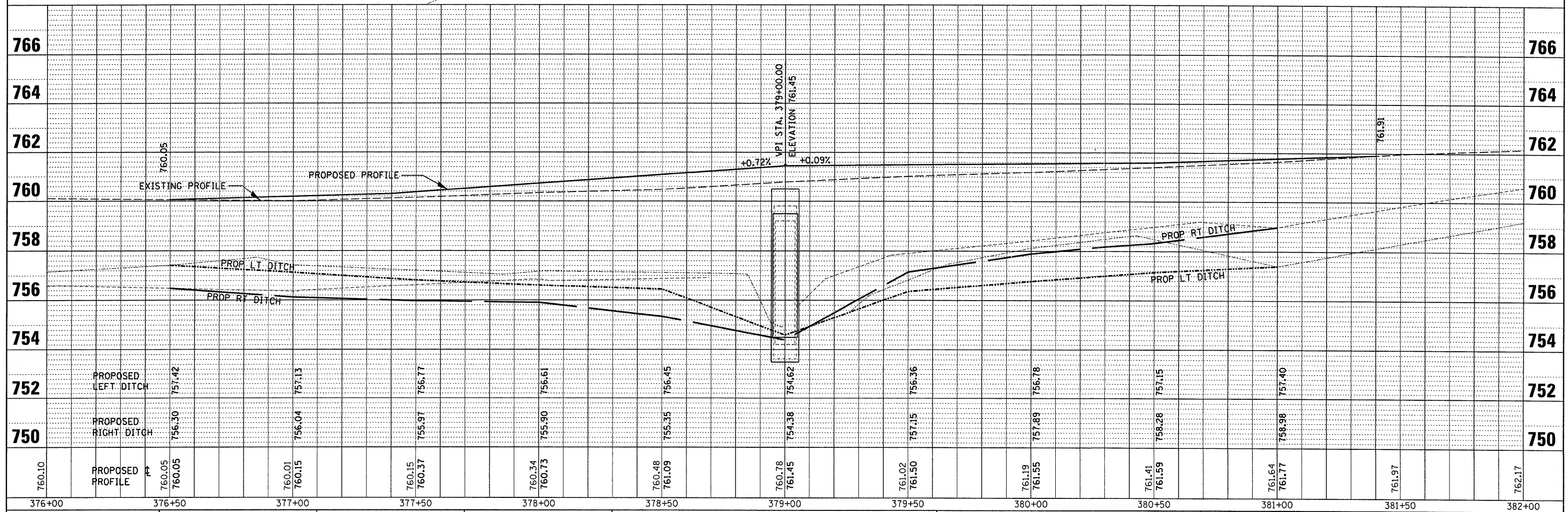


DATE	
BY	
PLAN	
SURVEYED	
PLOTTED	
CHECKED	
RT. OF WAY CHECKED	
NO. _____	
PAID FILE NAME	

DATE	
BY	
PROFILE	
SURVEYED	
PLOTTED	
CHECKED	
BLM. NOTED	
STRUCTURE NOTATIONS CHKD	
NO. _____	



- PAVEMENT REMOVAL
- BUTT JOINT



FILE NAME =	USER NAME = carpenterdj	DESIGNED -	REVISED -	STATE OF ILLINOIS DEPARTMENT OF TRANSPORTATION	PLAN & PROFILE	F.A.P. RTE.	SECTION	COUNTY	TOTAL SHEETS	SHEET NO.
ci:\pw-work\p\wdos\carpenterdj\dms38350\20081007\PLN1.dgn	DRAWN -	REVISED -	646			(122)I	BUREAU	18	6	
PLOT SCALE = 20.0000' / IN.	CHECKED -	REVISED -	CONTRACT NO. 66858							
PLOT DATE = Oct 22, 2008 - 08:39:18 AM	DATE -	REVISED -	ILLINOIS FED. AID PROJECT							
				SCALE:	SHEET NO. OF SHEETS	STA. TO STA.				