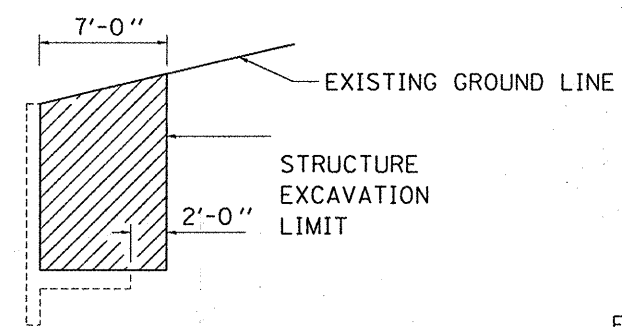
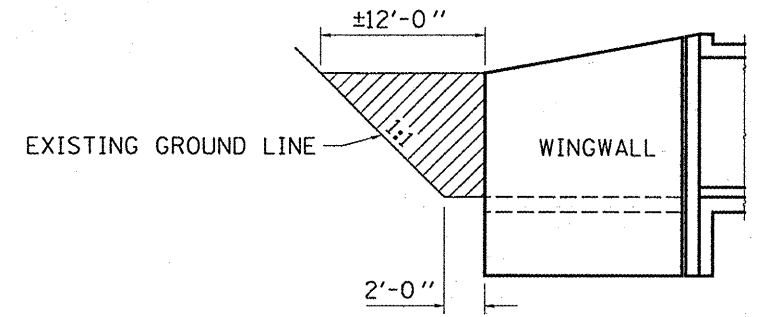


PLAN



TYPICAL SECTION



EXCAVATION AT END OF WING

BILL OF MATERIALS

LOCATION	STRUCTURE EXCAVATION	FURNISHED EXCAVATION
	CU YD	CU YD
NW WINGWALL	26.2	26.2
SW WINGWALL	48.1	48.1
NE WINGWALL	26.2	26.2
NW WINGWALL	48.1	48.1
TOTAL	148.6	148.6

FILE NAME =	USER NAME = #USER#	DESIGNED - RON WOODSHANK	REVISED -
#FILE#		DRAWN - RON WOODSHANK	REVISED -
	PLOT SCALE = #SCALE#	CHECKED -	REVISED -
	PLOT DATE = #DATE#	DATE - 08/21/2008	REVISED -

STATE OF ILLINOIS
DEPARTMENT OF TRANSPORTATION

STRUCTURE EXCAVATION DETAILS
S.N. 050-2019

SCALE: SHEET NO. 4 OF 9 SHEETS STA. TO STA.

F.A.P. RTE.	SECTION	COUNTY	TOTAL SHEETS	SHEET NO.
311	(5B-1)I	LASALLE	19	8
FED. ROAD DIST. NO. ILLINOIS			CONTRACT NO. 66867	