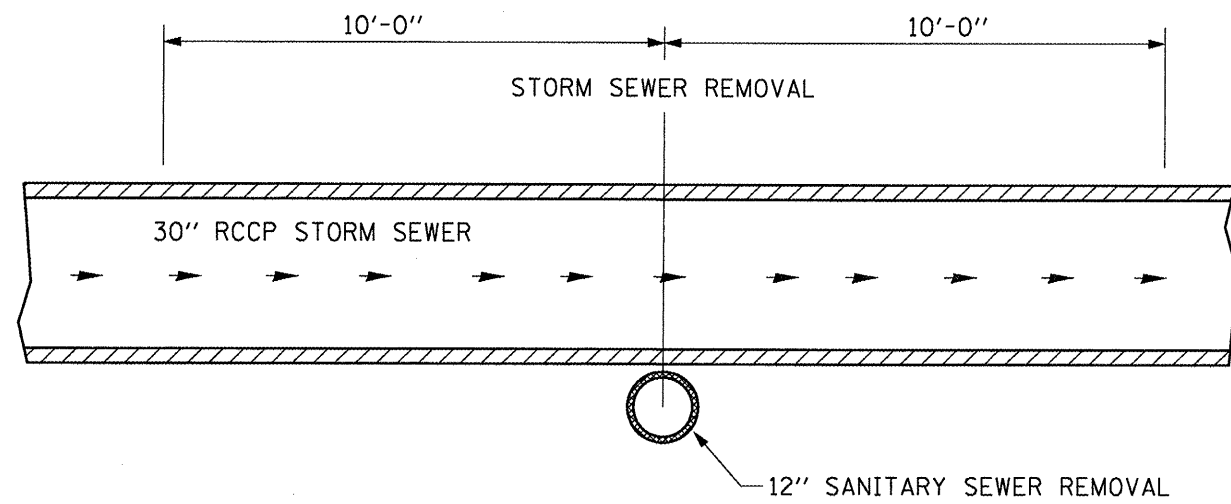
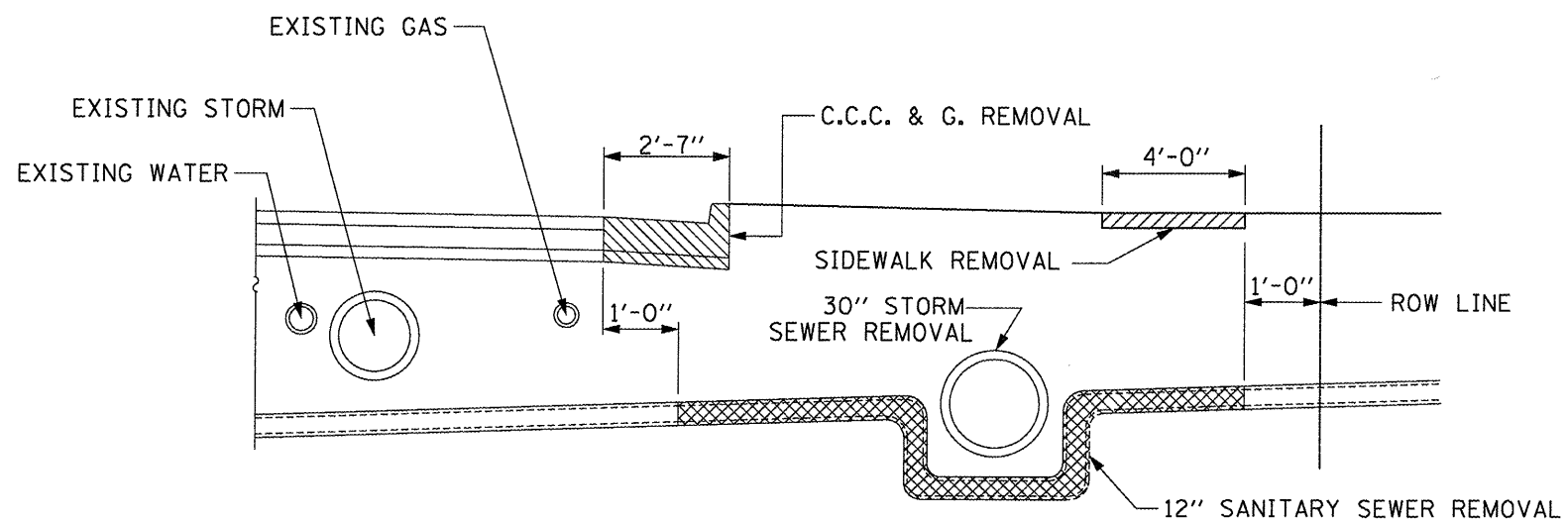


DETAIL "A"



SECTION A-A



SECTION B-B

FILE NAME =	USER NAME = woodshankr1	DESIGNED -	REVISED -
c:\pwork\PW100T\WOODSHANKRL\dms43279	d366871-cm317-detaila.dgn	DRAWN -	REVISED -
	PLOT SCALE = 100.0000' / IN.	CHECKED -	REVISED -
	PLOT DATE = Oct 03, 2008 - 07:43:09 AM	DATE -	REVISED -

STATE OF ILLINOIS
DEPARTMENT OF TRANSPORTATION

DETAIL "A"

SCALE: SHEET NO. 1 OF 1 SHEETS

F.A.P. RTE. 635	SECTION (105)I	COUNTY KANKAKEE	TOTAL SHEETS 7	SHEET NO. 5
CONTRACT NO. 66871				
FED. ROAD DIST. NO. ILLINOIS FED. AID PROJECT				