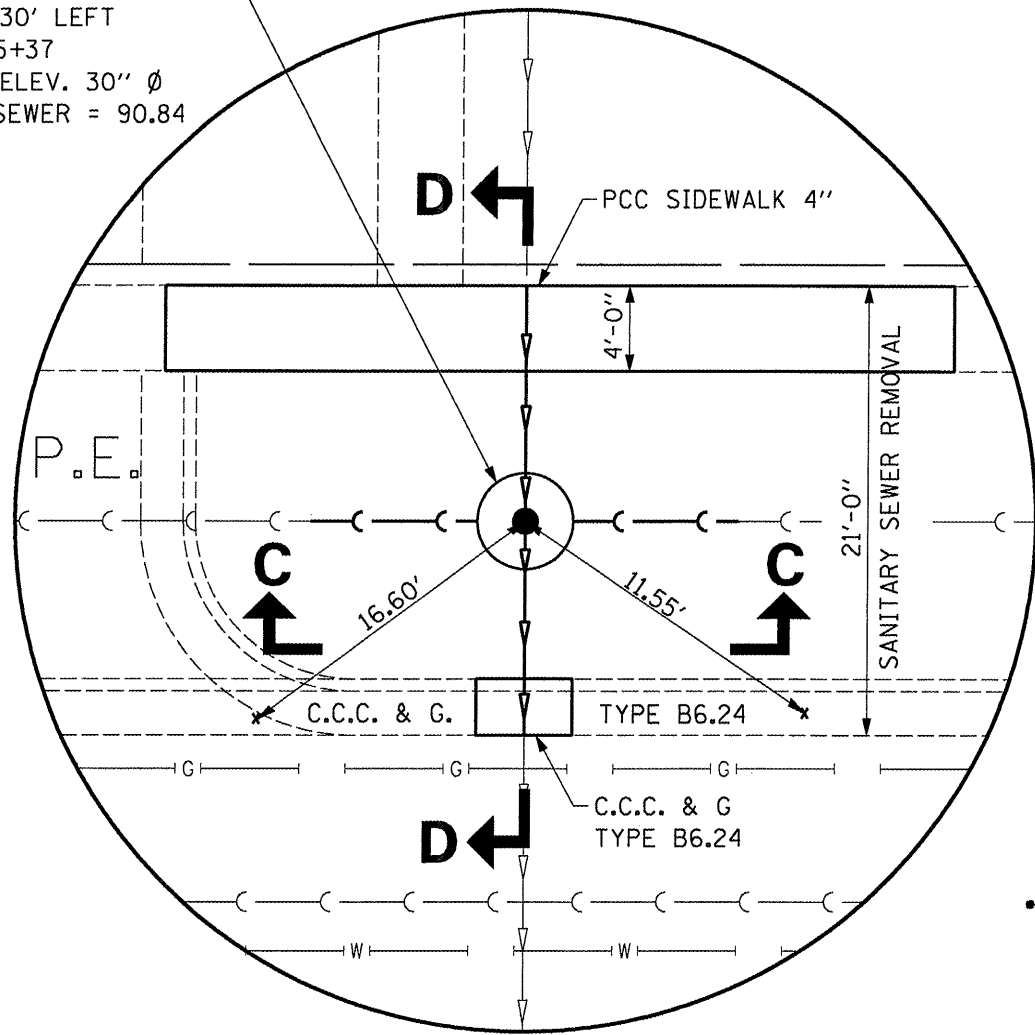
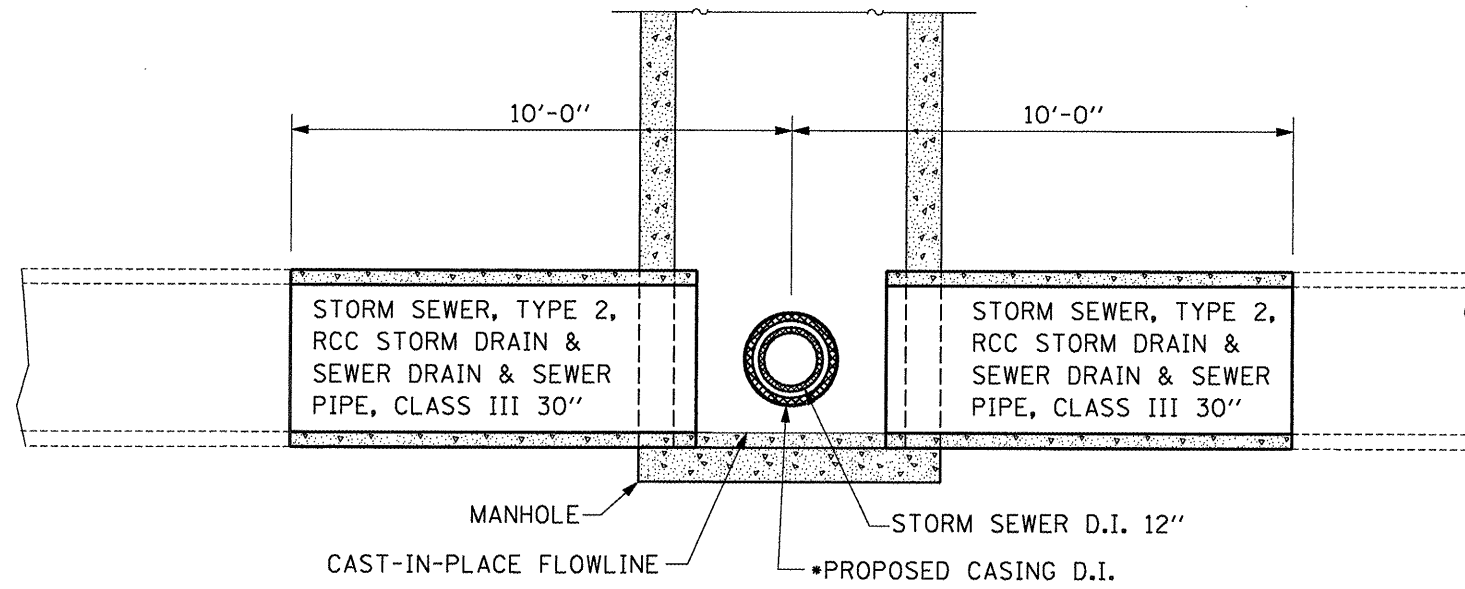


PROPOSED
 MANHOLE TYPE A
 5' Ø 31.30' LEFT
 STA. 105+37
 INVERT ELEV. 30" Ø
 STORM SEWER = 90.84



DETAIL "B"

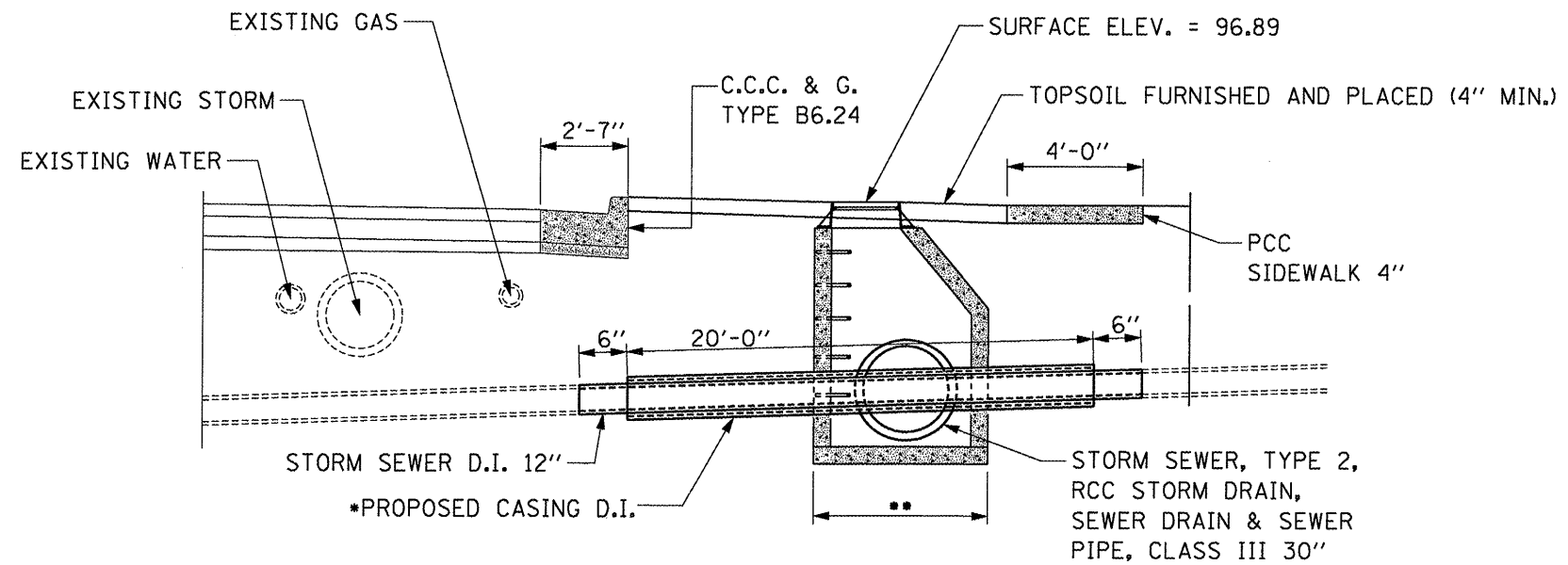


SECTION C-C

* CHISLED "X" IN GUTTER PAN

- CASING SHALL BE DUCTILE IRON WITH AN INSIDE DIAMETER 2" LARGER IN DIAMETER THAN ENCASED PIPE OUTSIDE DIAMETER WITH BOTH ENDS OF CASING SEALED
- NO JOINT CONNECTION SHALL BE ALLOWED IN THE SANITARY OR THE CASING INSIDE THE MANHOLE

NOTE:
 DIMENSIONS AND ELEVATIONS SHOWN MAY BE ADJUSTED TO FIT FIELD CONDITIONS AT TIME OF CONSTRUCTION



SECTION D-D

FILE NAME =	USER NAME = woodshankr1	DESIGNED -	REVISED -
ct\pw_work\PW100T\WOODSHANKR1\dms43279	d366871-cm317-details.dgn	DRAWN -	REVISED -
	PLOT SCALE = 100.0000' / IN.	CHECKED -	REVISED -
	PLOT DATE = Oct 03, 2008 - 07:43:01 AM	DATE -	REVISED -

STATE OF ILLINOIS
 DEPARTMENT OF TRANSPORTATION

DETAIL "B"

SCALE: SHEET NO. 1 OF 1 SHEETS

F.A.P. RTE.	SECTION	COUNTY	TOTAL SHEETS	SHEET NO.
635	(105)I	KANKAKEE	7	6
CONTRACT NO. 66871				
FED. ROAD DIST. NO. ILLINOIS FED. AID PROJECT				