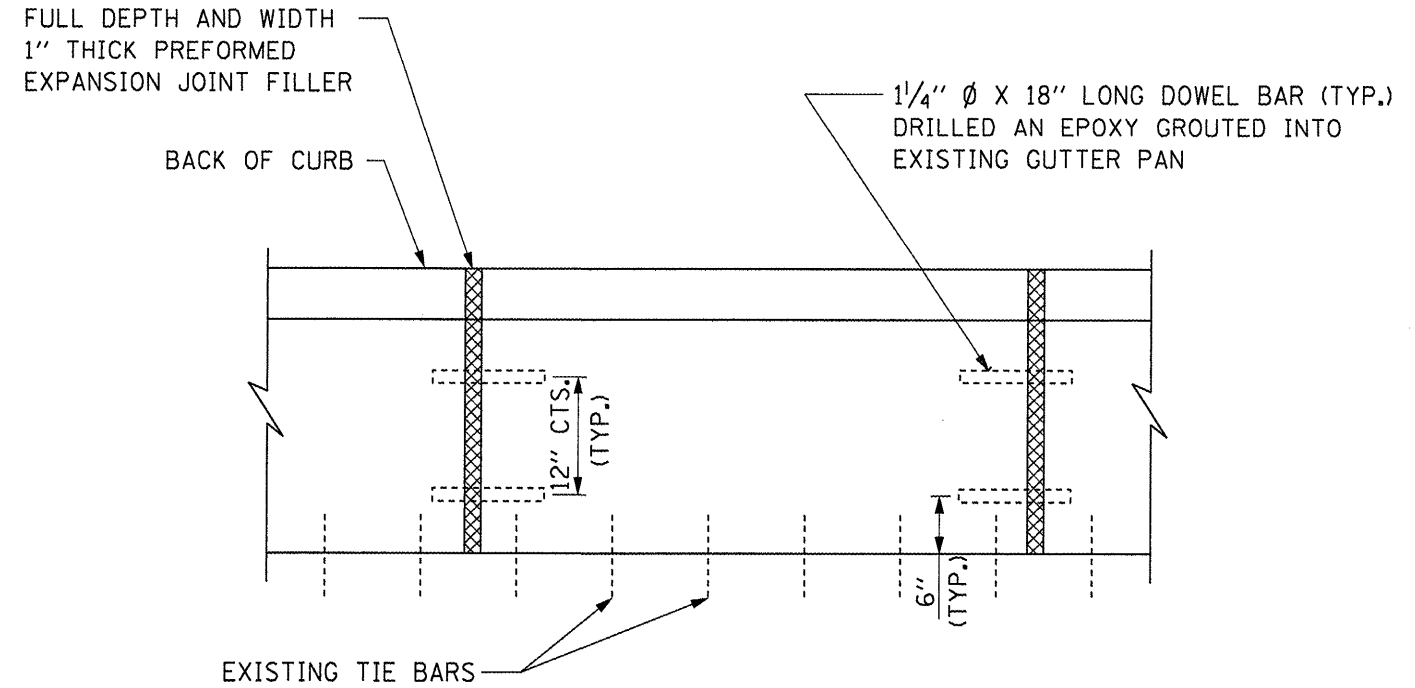
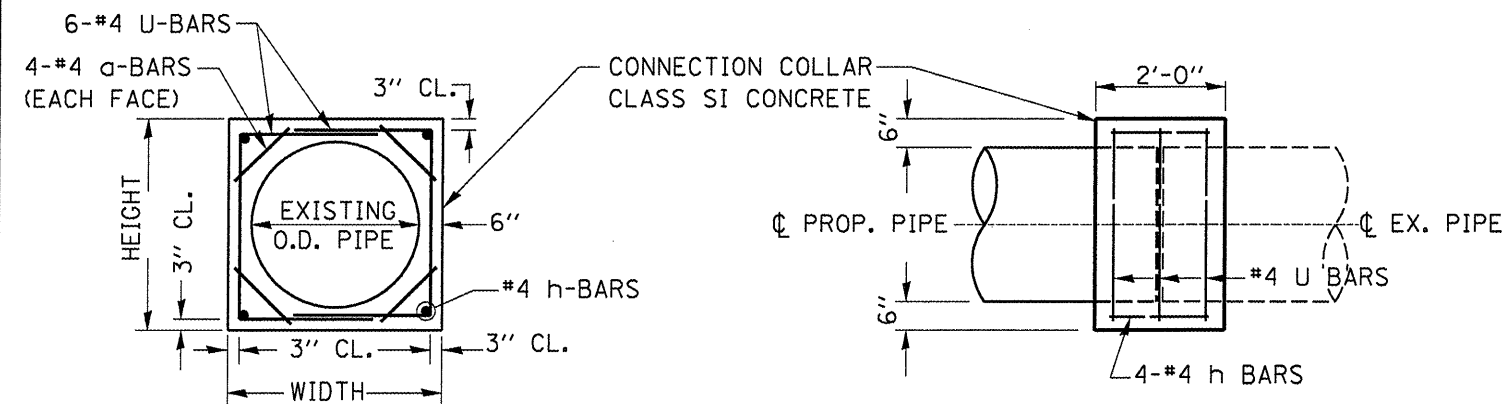


**SIDEWALK DETAIL**

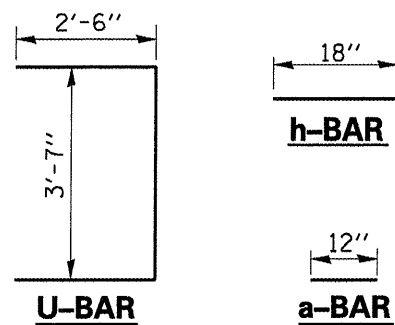


**PLAN**



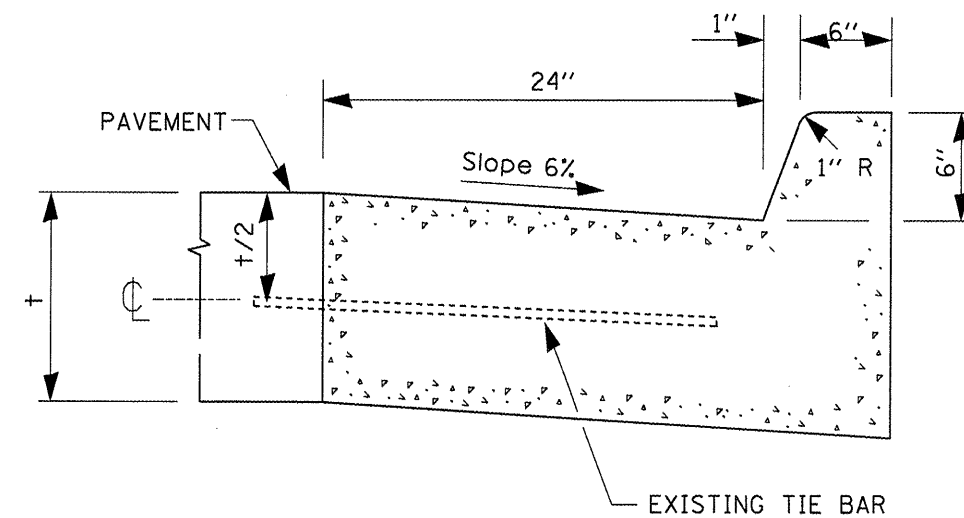
EXISTING CULVERT	EXTENSION COLLAR		a-BAR	u-BAR	h-BAR	CONC. COLLAR	REINF. BARS
SIZE	WIDTH	HEIGHT	12"	12"	18"		
DIA.	FT./IN.	FT./IN.	EA.	EA.	EA.	CU. YD.	POUND
30" Ø	4'-1"	4'-1"	16	12	8	1.4	88

QUANTITIES ARE FOR TWO COLLARS



**COLLAR DETAIL**

(DIRECT STORM SEWER CONNECTION)  
COST OF COLLAR SHALL BE INCLUDED  
IN THE COST OF THE STORM SEWER



**ELEVATION**

**C.C.C. & G. TYPE B6.24**

COST OF FURNISHING AND INSTALLING DOWEL BARS  
SHALL BE INCLUDED IN THE COST OF THE CURB & GUTTER