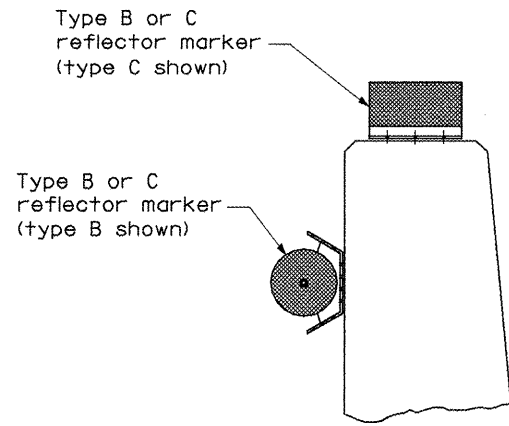
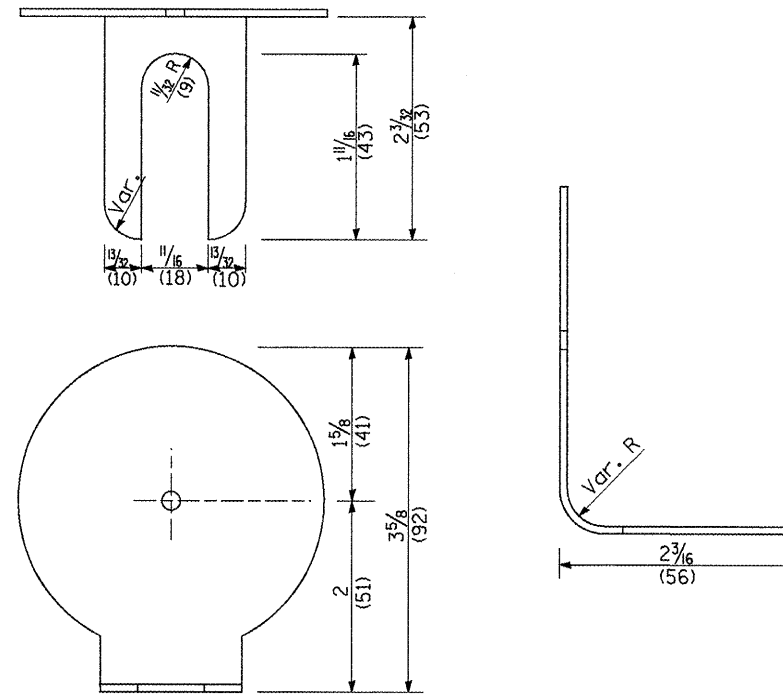


TYPICAL MOUNTING DETAIL FOR BRIDGE RAIL REFLECTOR



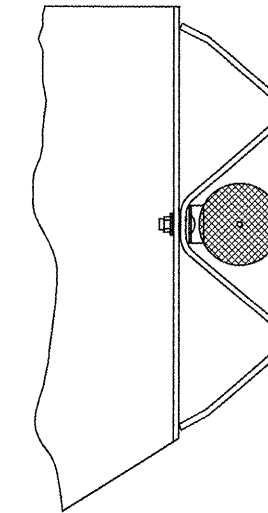
TYPICAL MOUNTING DETAIL FOR BARRIER WALL REFLECTOR

REFLECTOR MOUNTING

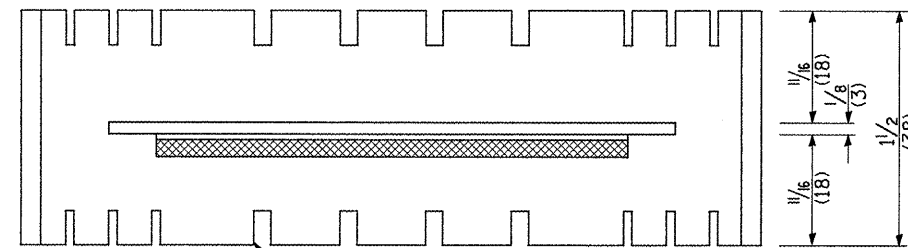


REFLECTOR MARKER TYPE A

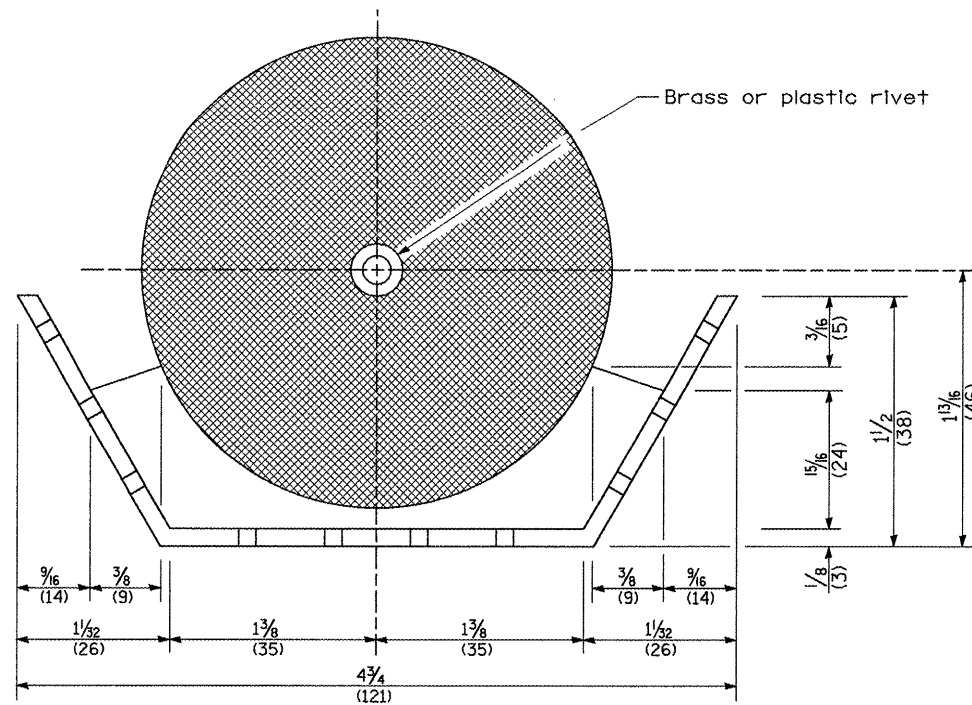
Min. reflective area 6 1/2 sq. in. (4,194 mm<sup>2</sup>) each side. May be rectangular or slight trapezoid.



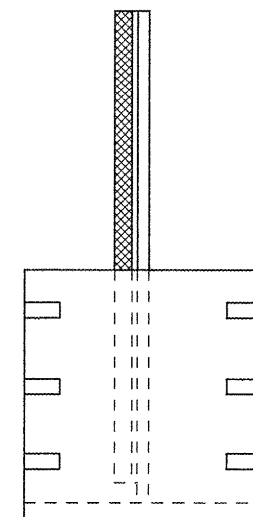
TYPICAL GUARDRAIL MOUNTING WITH REFLECTOR MARKER TYPE A



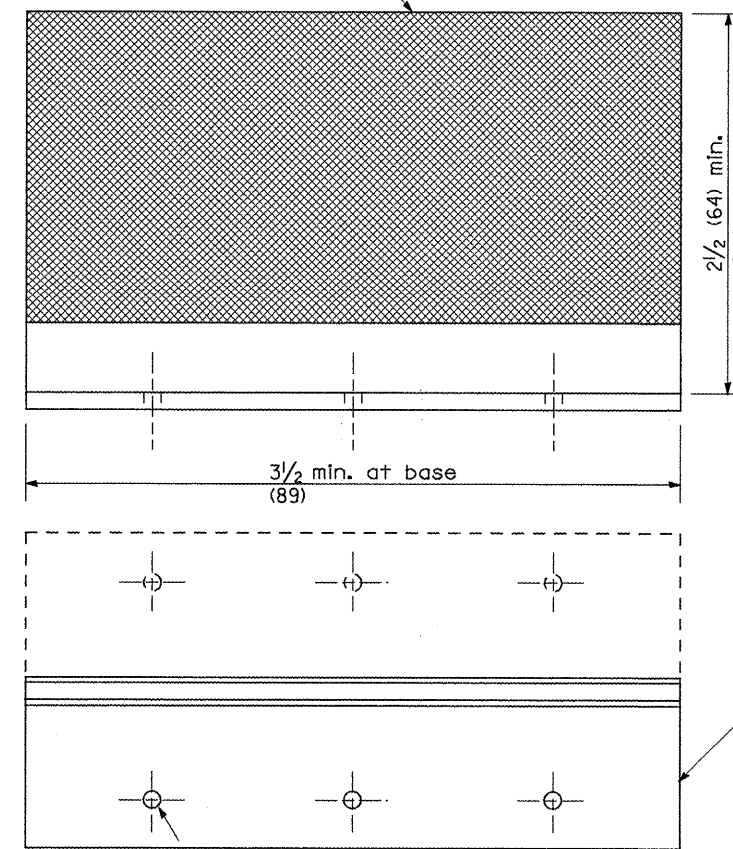
Adhesive weep slots or holes equally spaced on both sides



REFLECTOR MARKER TYPE B

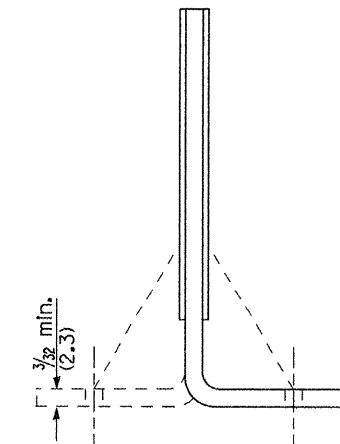


3 min. adhesive weep holes or slots each side, variable spacing.



REFLECTOR MARKER TYPE C

Minimum total area of base 7.0 Sq. in. (4,516 mm<sup>2</sup>)



REFLECTORS

All dimensions are in inches (millimeters) unless otherwise noted.