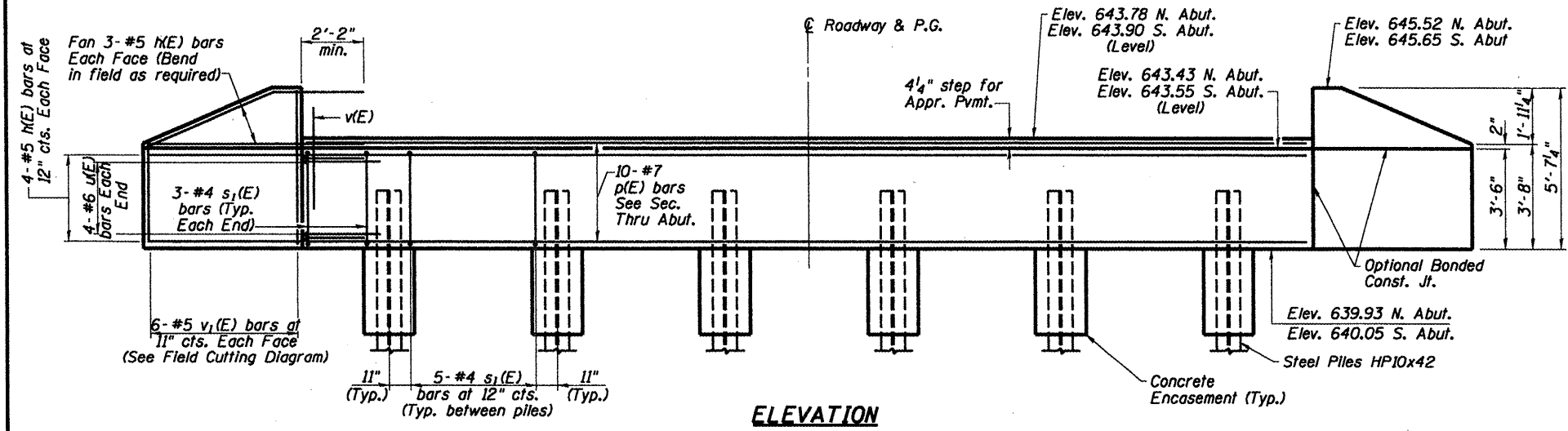


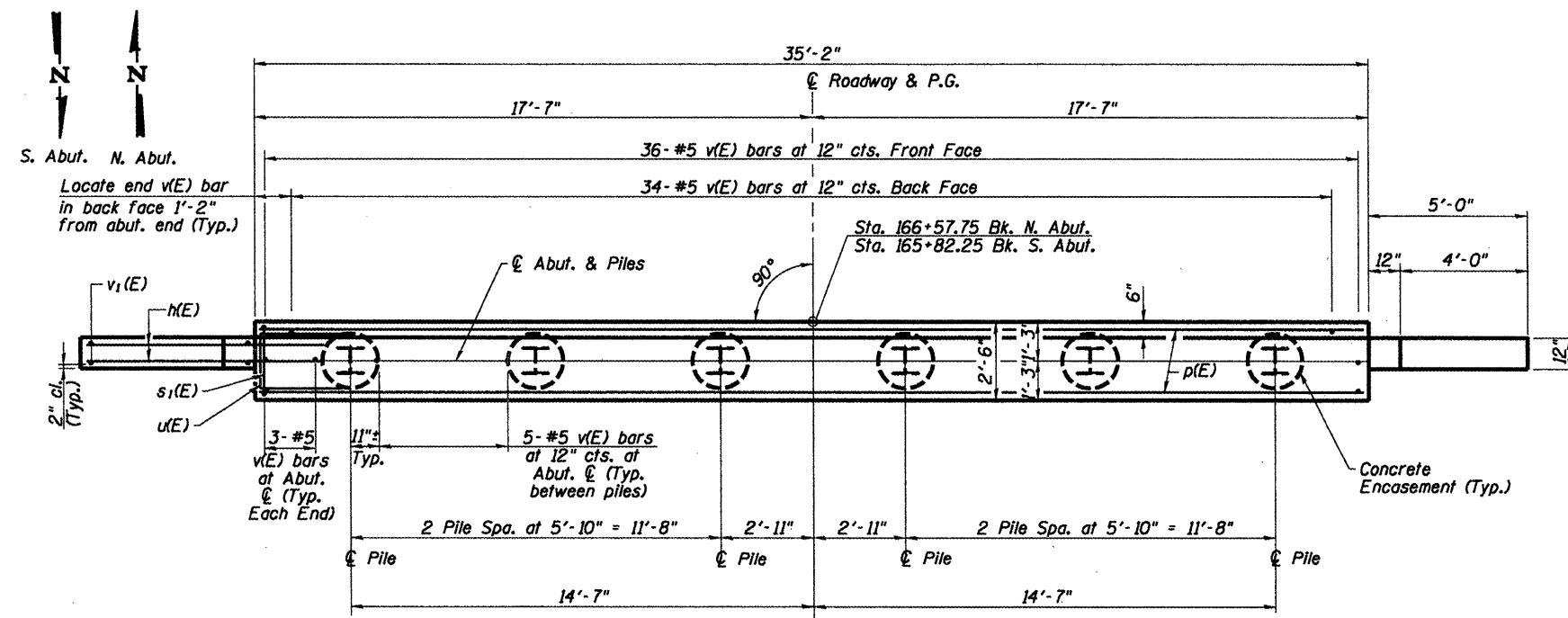
ROUTE NO.	SECTION	COUNTY	TOTAL SHEETS	SHEET NO.
FAS 253		MARSHALL	97	51
STA	TO STA			
*68(BR, BR-1)		DRG. NO. 7 OF 9		

CONTRACT NO. 68573

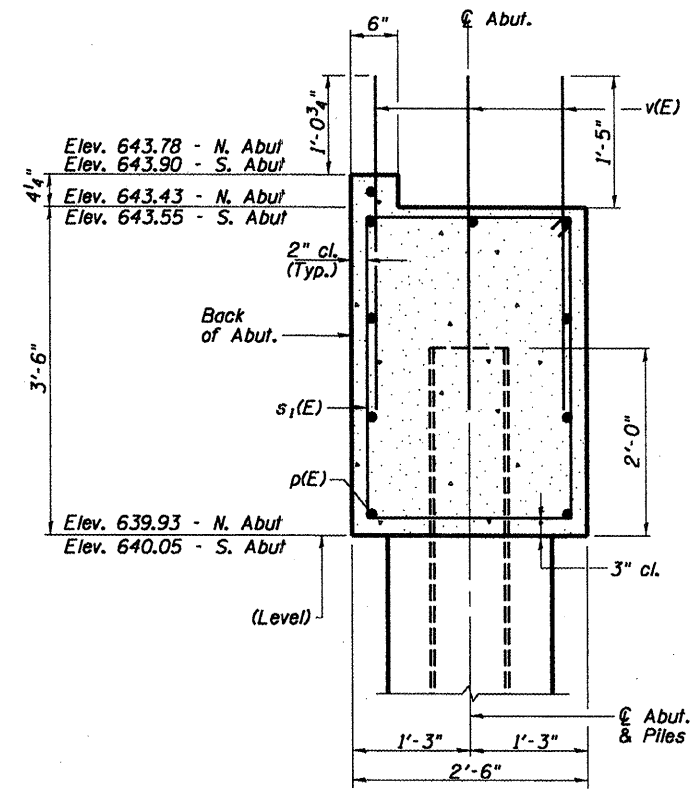
- NOTES**
1. Reinforcement bars designated (E) shall be epoxy coated.
 2. See Dwg. No. 1 of 9 for backfill and drainage required for abutment construction.



ELEVATION



PLAN



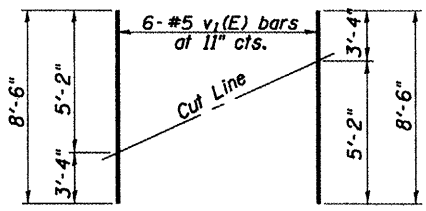
SECTION THRU ABUTMENT

ABUTMENT BILL OF MATERIAL
(FOR ONE ABUTMENT UNLESS NOTED OTHERWISE)

Bar No.	Size	Length	Shape
(E) 28	#5	7'-5"	—
p(E) 10	#7	34'-10"	—
s1(E) 31	#4	11'-3"	□
u(E) 8	#6	7'-7"	—
v(E) 101	#5	3'-7"	—
v1(E) 12	#5	8'-6"	—
N. Abut. S. Abut.			
Concrete Structures	Cu. Yd.	13.5	13.5
Reinforcement Bars, Epoxy Coated	Pound	1740	1740
Structure Excavation	Cu. Yd.	56	56
Test Pile Steel HP10x42	Each	1	-
Furnishing Steel Piles HP10x42	Lin. Ft.	90	126
Driving Piles	Lin. Ft.	90	126
Geocomposite Wall Drain	Sq. Yd.	19	19
Pipe Underdrains for Structures, 4"	Foot	60	60
Concrete Encasement	Cu. Yd.	1.6	1.6

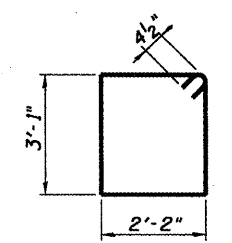
PILE DATA
 Pile Type: Steel HP10x42
 Nominal Required Bearing: 335 Kips
 Allowable Resistance Available: 111 Kips
 Estimated Length: 18' (N. Abut.)
 21' (S. Abut.)
 No. Required: 11+1 test pile north abutment; 12 total

ESCA
 CONSULTANTS, INC.
 DESIGNED BY: ELH 11/05
 DRAWN BY: DWH 11/05
 CHECKED BY: ELH 05/06
 APPROVED BY: RDP 05/06

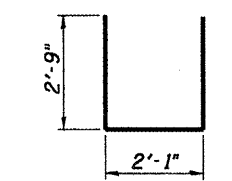


BAR v1(E)

FIELD CUTTING DIAGRAM
 Order v1(E) full length. Cut as shown and use remainder of bars in opposite face.

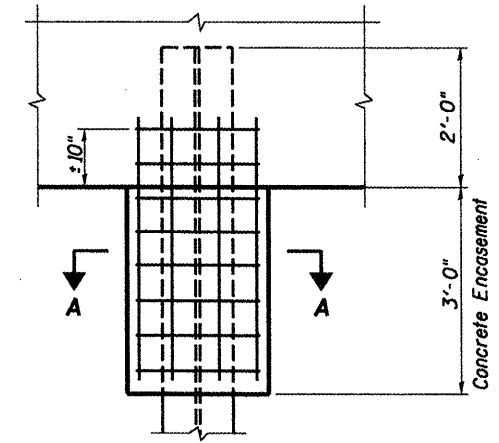


BAR s1(E)



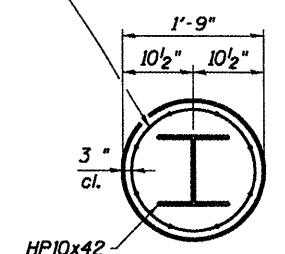
BAR u(E)

BAR BENDING DETAILS



ELEVATION

Welded wire fabric 6x6-W4.0xW4.0 weighing 58#/100 sq. ft. The cost of excavation and reinforcement is included in the Concrete Encasement pay item. Forms for encasement may be omitted when soil conditions will permit.



SECTION A-A

PILE ENCASEMENT DETAILS

ABUTMENTS
IL ROUTE 251 OVER
SANDY CREEK
FAS ROUTE 253 - SECTION 68(BR, BR-1)
MARSHALL COUNTY
STATION 166+20
STRUCTURE NO. 062-0071