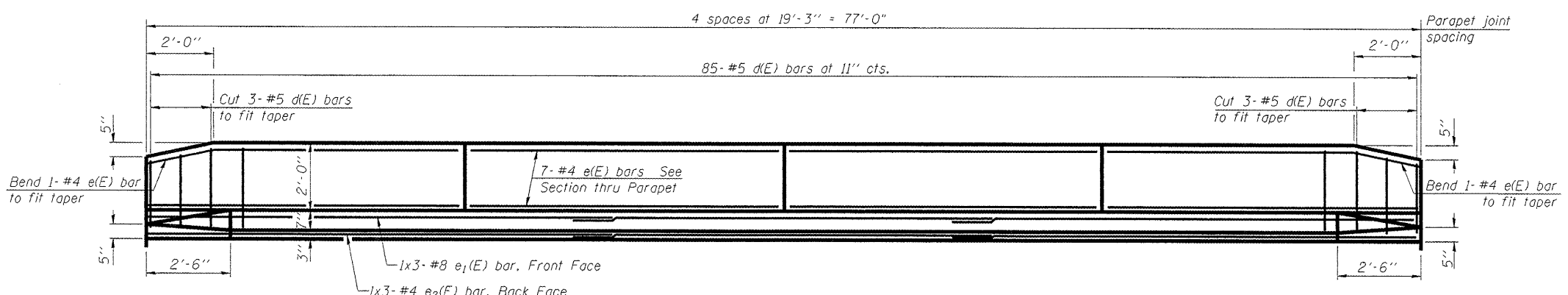


**SUPERSTRUCTURE
BILL OF MATERIAL**

Bar	No.	Size	Length	Shape
d(E)	133	#5	34'-0"	—
d1(E)	93	#5	33'-6"	—
a2(E)	266	#6	6'-0"	—
b(E)	76	#5	39'-5"	—
b1(E)	93	#5	27'-0"	—
d(E)	170	#5	5'-7"	⌒
d1(E)	170	#5	7'-4"	⌒
e(E)	56	#4	18'-11"	—
e1(E)	6	#8	28'-7"	—
e2(E)	6	#4	26'-8"	—
m(E)	4	#6	33'-0"	—
m1(E)	6	#6	34'-10"	—
m2(E)	12	#6	14'-0"	—
m3(E)	10	#6	5'-8"	—
m4(E)	4	#6	2'-3"	—
s(E)	72	#5	6'-7"	⌒
s1(E)	72	#4	9'-1"	⌒
v(E)	68	#5	3'-4"	⌒
Reinforcement Bars, Epoxy Coated			Pound	21,700
Concrete Superstructure			Cu. Yds.	111.8

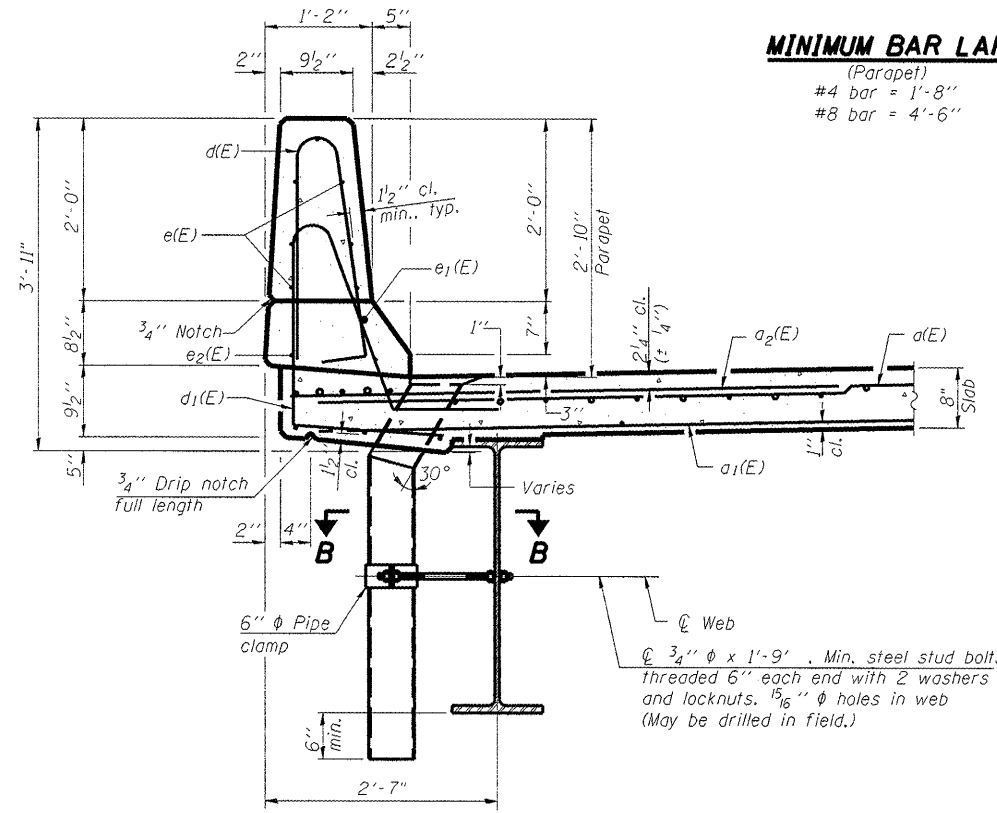
Bars indicated thus 1x3-#5 etc. indicates 1 line of bars with 3 lengths per line.



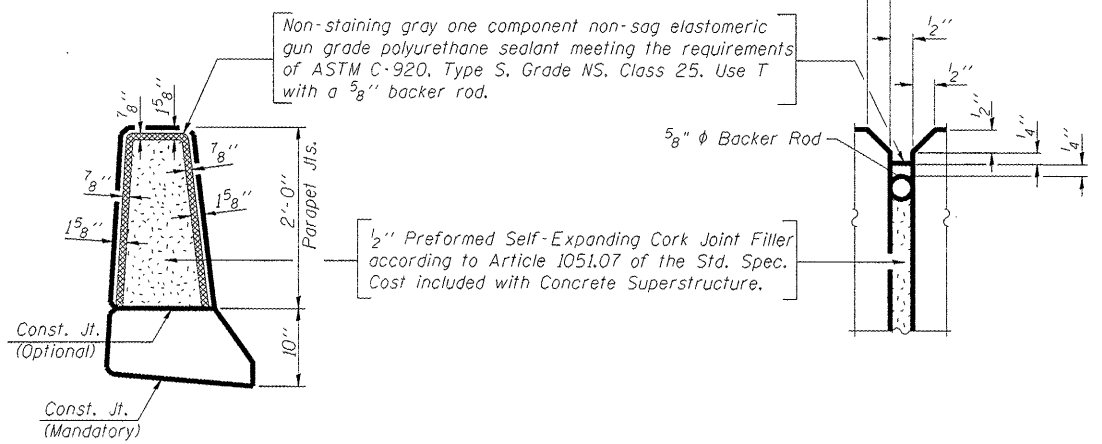
INSIDE ELEVATION OF PARAPET

MINIMUM BAR LAP

(Parapet)
#4 bar = 1'-8"
#8 bar = 4'-6"

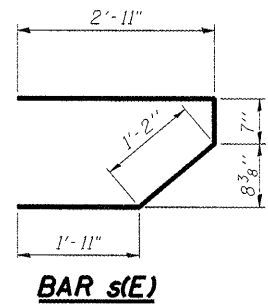


SECTION THRU PARAPET

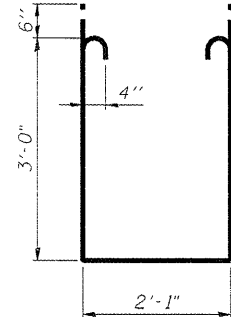


PARAPET JOINT DETAILS

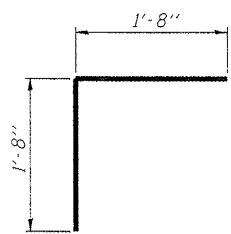
Notes:
Floor drains need not be painted.
Fiberglass pipe shall conform to ASTM D 2996, with short-time rupture strength hoop tensile stress of 30,000 p.s.i. minimum.



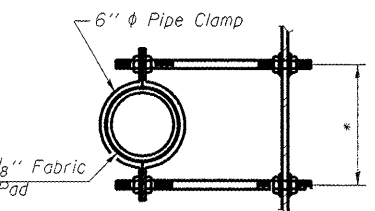
BAR s(E)



BAR s1(E)

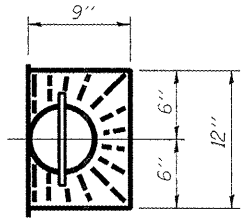


BAR v(E)

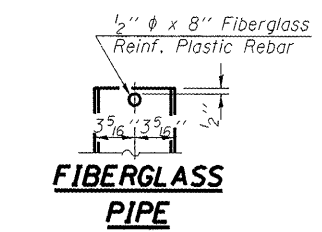


SECTION B-B

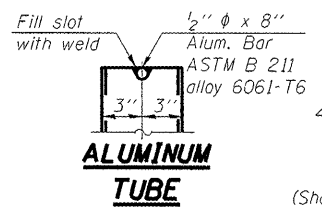
*Dimension as required by Pipe Clamp



TOP PLAN

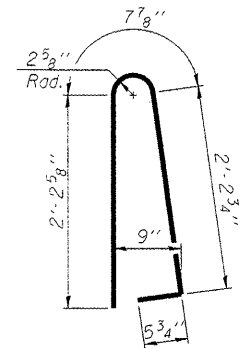


FIBERGLASS PIPE

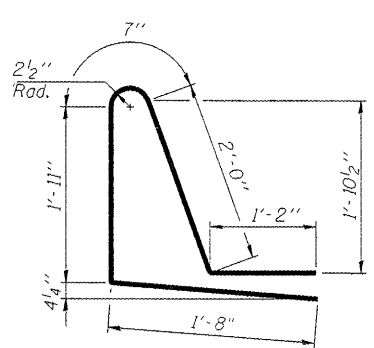


ALUMINUM TUBE

6" O.D. Aluminum Tube alloy 6061-T6 or 6" Fiberglass Pipe (Showing Aluminum Tube)



BAR d(E)



BAR d1(E)