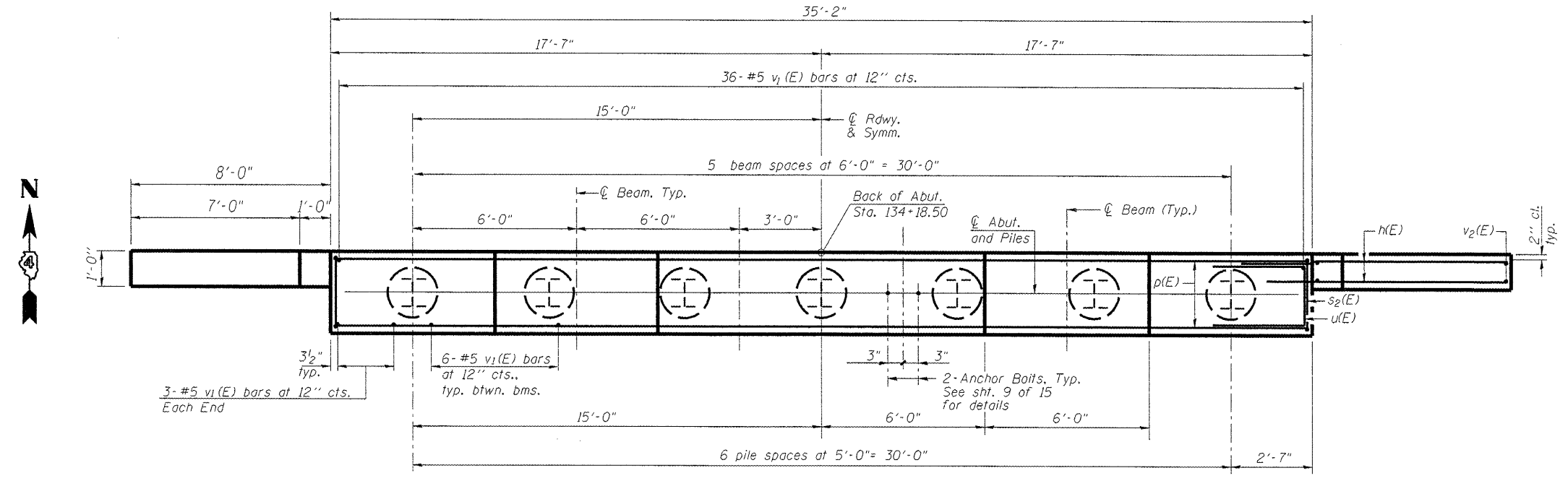
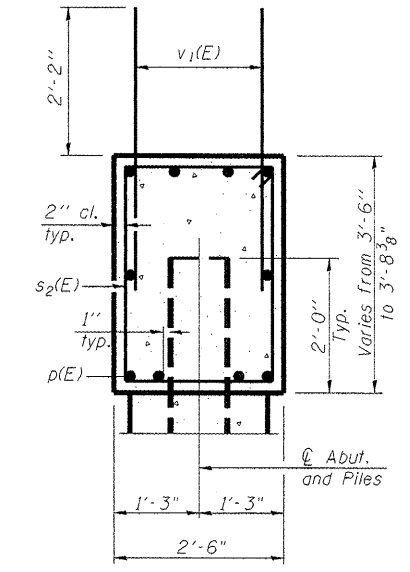
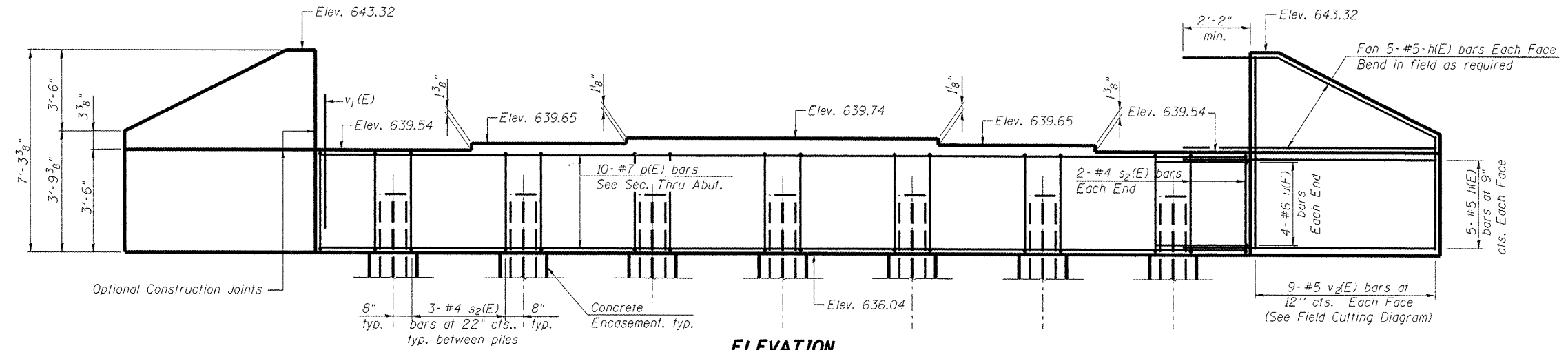
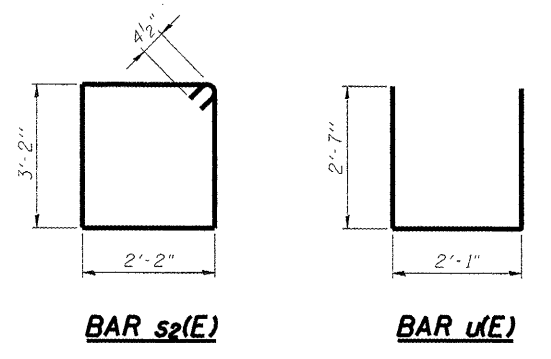
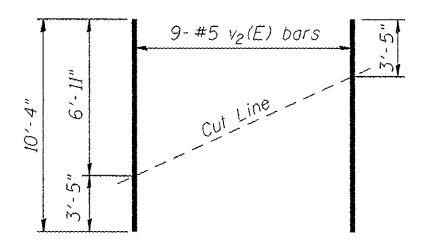


Contract #68573



PILE DATA

Type: HP12x53 w/ Pile Shoes
 Nominal Required Bearing: 419 K
 Factored Resistance Available: 210 K
 Est. Length: 28 ft.
 No. Production Piles: 6
 No. Test Piles: 1



BILL OF MATERIAL

Bar	No.	Size	Length	Shape
h(E)	40	#5	10'-10"	—
p(E)	10	#7	34'-10"	—
s ₂ (E)	22	#4	11'-5"	□
u(E)	8	#6	7'-3"	—
v ₁ (E)	72	#5	4'-4"	—
v ₂ (E)	18	#5	10'-4"	—
Structure Excavation			Cu. Yd.	170.3
Concrete Structures			Cu. Yd.	15.2
Reinforcement Bars, Epoxy Coated			Pound	1,940
Furnishing Steel Piles HP12x53			Foot	168
Driving Piles			Foot	168
Test Pile Steel HP12x53			Each	1
Concrete Encasement			Cu. Yd.	2.4
Pile Shoes			Each	7

S D I STRUCTURE DESIGNS, INCORPORATED
 ARCHITECTS & ENGINEERS
 PH: (773) 838-1780 • www.structuredesignsinc.com

REVISIONS	
NAME	DATE

ILLINOIS DEPARTMENT OF TRANSPORTATION

NORTH ABUTMENT DETAILS

ILL. RTE. 251
 OVER SANDY CREEK
 F.A.S. 253 SEC. 68 BR-1
 MARSHALL COUNTY

STA. 133+80.00 S.N. 062-0085
 DESIGNED BY: S.G. DRAWN BY: T.C.S.
 DATE: 11-20-08 CHECKED BY: O.A.O.