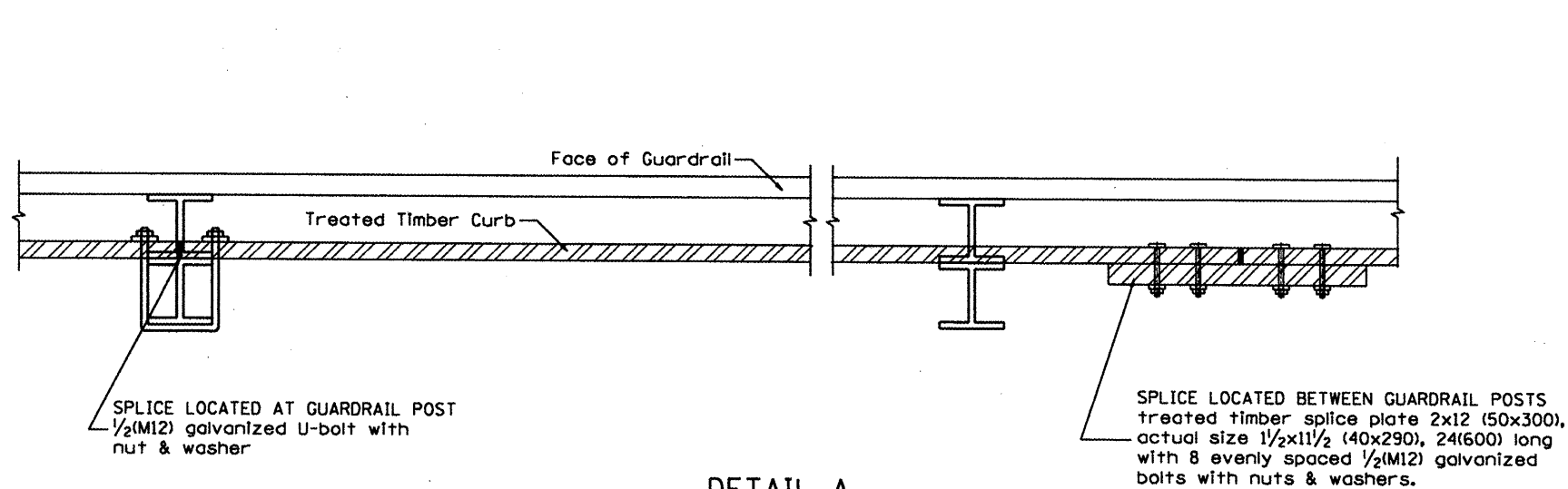
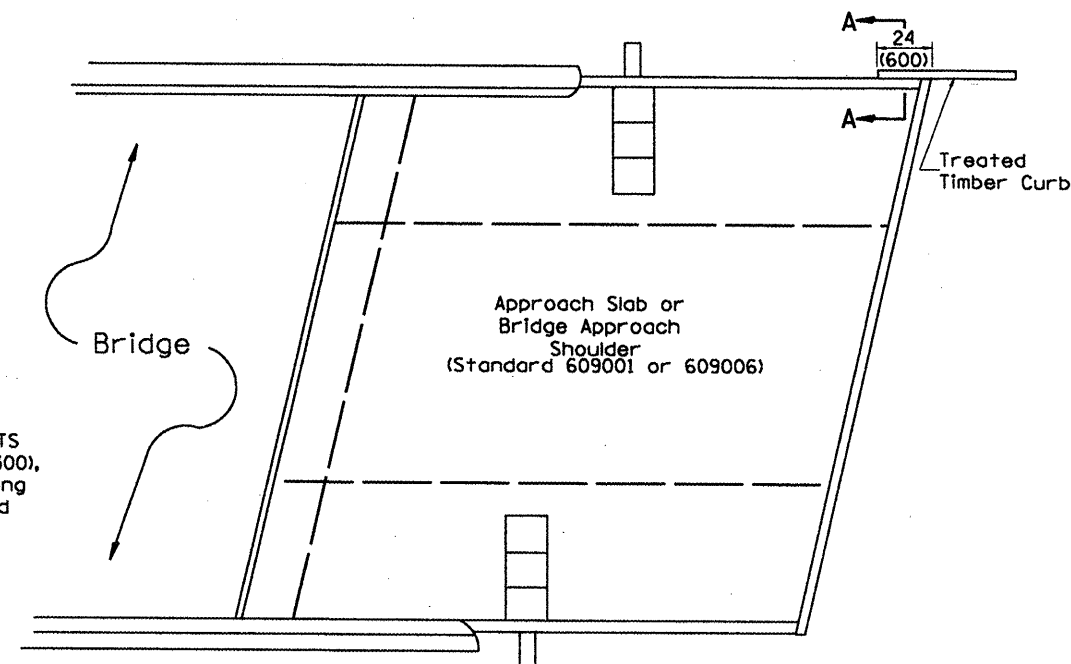


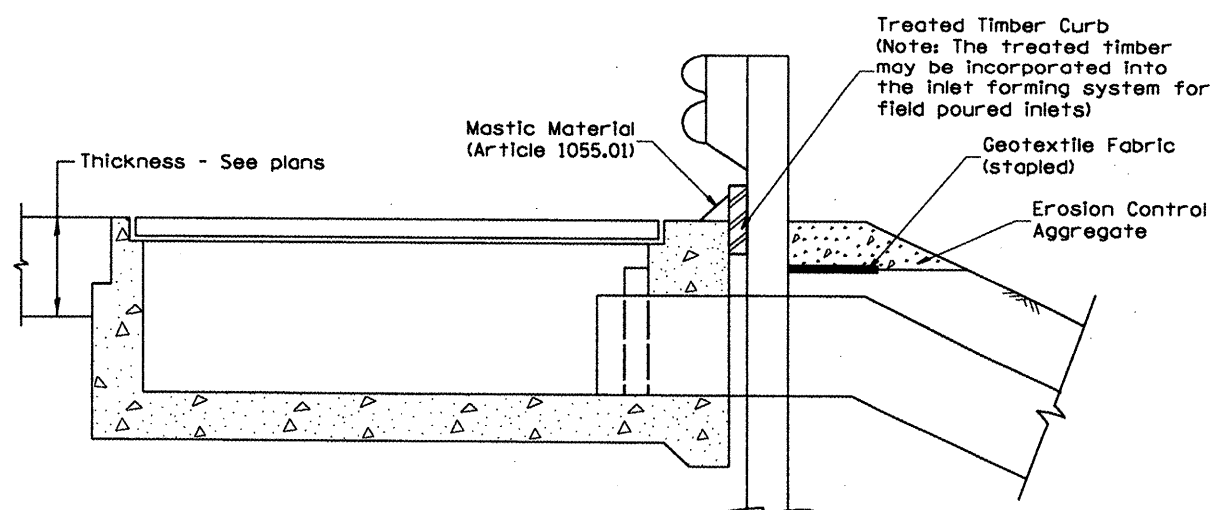
| F.A.S. RTE. | SECTION | COUNTY | TOTAL SHEETS | SHEET NO. |
|---------------------|-------------|---------------------------|--------------|-----------|
| 253 | 68188.88-11 | MARSHALL | 27 | 29 |
| STA. | | TO STA. | | |
| FED. ROAD DIST. NO. | | ILLINOIS FED. AID PROJECT | | |



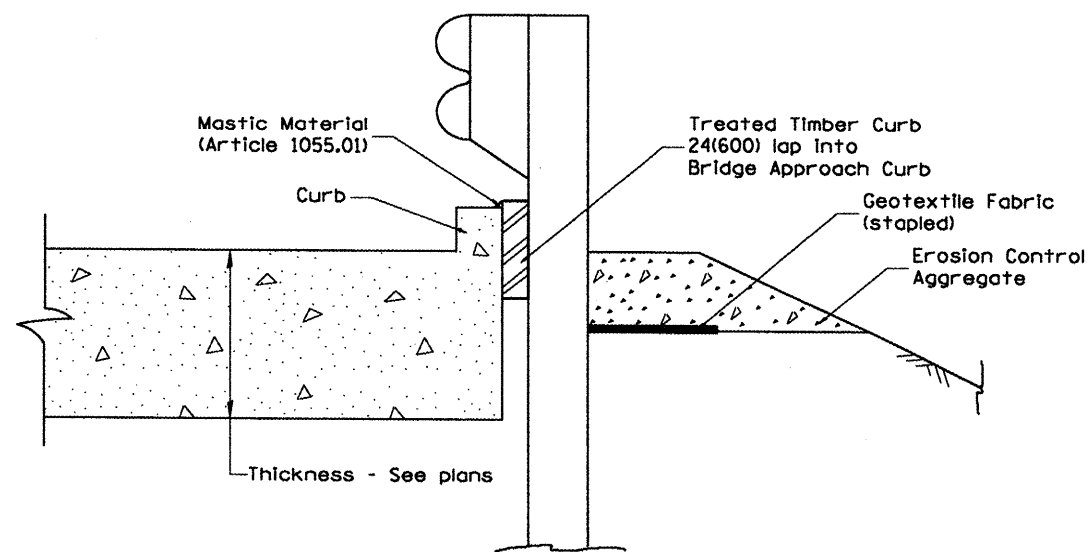
DETAIL A
(Typical Treated Timber Splices)



PLAN VIEW
APPROACH SLAB OR BRIDGE APPROACH SHOULDER
(STANDARD 609001 or 609006)



TYPICAL SECTION WITH EROSION CONTROL CURB
AT INLETS TYPE E & F (STANDARD 610001)



SECTION A-A
TYPICAL SECTION WITH EROSION CONTROL CURB
AT BRIDGE APPROACH CURB
(STANDARD 609001 OR 609006)

All dimensions are in inches (millimeters) unless otherwise noted.

| | |
|---------------------------------------|---------------|
| ILLINOIS DEPARTMENT OF TRANSPORTATION | |
| DISTRICT CADD STANDARD | |
| GUARDRAIL EROSION CONTROL TREATMENTS | |
| CADD STD NO. 630101-D4(2) | SHEET 2 OF 2 |
| SCALE: NOT DRAWN TO SCALE | DRAWN BY CADD |
| | CHECKED BY |

DATE