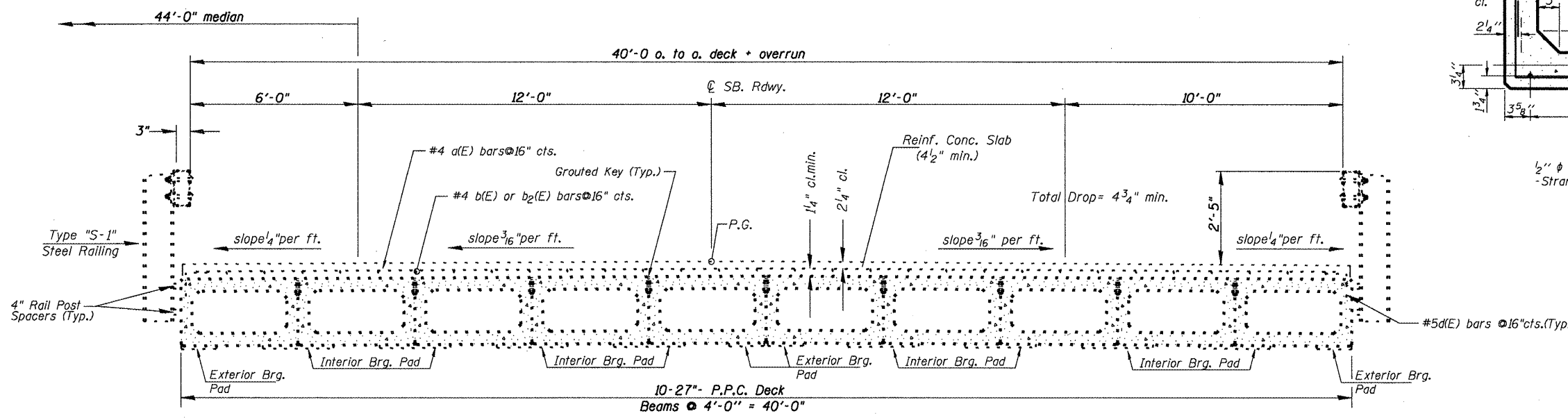
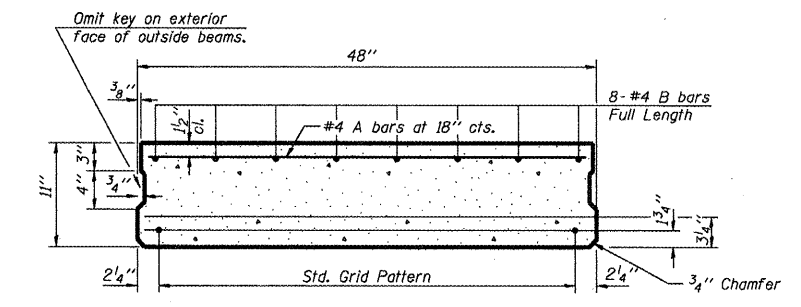


**DECK CROSS SECTION  
SPANS 1 & 3**

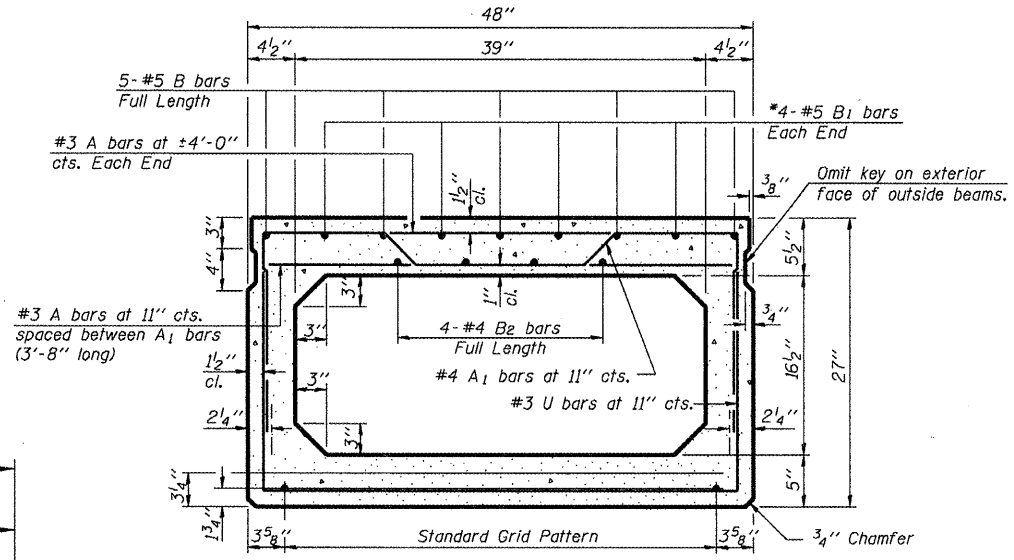
\*NOTE  
Plan dimensions and details relative to the existing structure have been taken from existing plans and are subject to nominal variations.



**DECK CROSS SECTION  
SPAN 2**



**TYPICAL SECTION**  
1/2"  $\phi$  Strands, Each Strand Stressed to 30,900 Lbs.  
- Strands 1 3/4" up, - Strands 3/4" up.  
- 0.2 x Length of beam



**TYPICAL SECTION**  
1/2"  $\phi$  Strands, Each Strand Stressed to 30,900 Lbs.  
- Strands 1 3/4" up, - Strands 3/4" up

SN.055-0027 US.67SB  
over Farmers Fork

FILE NAME = Emergency Bridge Beam Repl. S:\GEN\DRAWING\STOS&PLNS\BRIDGE	USER NAME = \$USER*	DESIGNED - CEJ	REVISED - ---	<b>STATE OF ILLINOIS DEPARTMENT OF TRANSPORTATION</b>	<b>TYPICAL SECTIONS</b>		F.A.P. RTE.	SECTION	COUNTY	TOTAL SHEETS	SHEET NO.
CONTRACTS\Emergency PPC Beam	PLOT SCALE = \$SCALE*	DRAWN - CEJ	REVISED - ---		313	(38-B2)I	McDONOUGH	16	4		
Repairs\68850 SN055-0027 Farmers Fork.dgn	PLOT DATE = \$DATE*	CHECKED - ---	REVISED - ---		PPC BEAM REPLACEMENT		CONTRACT NO. 68850				
		DATE - 8-28-2008	REVISED - ---		SCALE: _____	SHEET NO. ___ OF ___ SHEETS	STA. _____ TO STA. _____	FED. ROAD DIST. NO. 4 ILLINOIS FED. AID PROJECT			