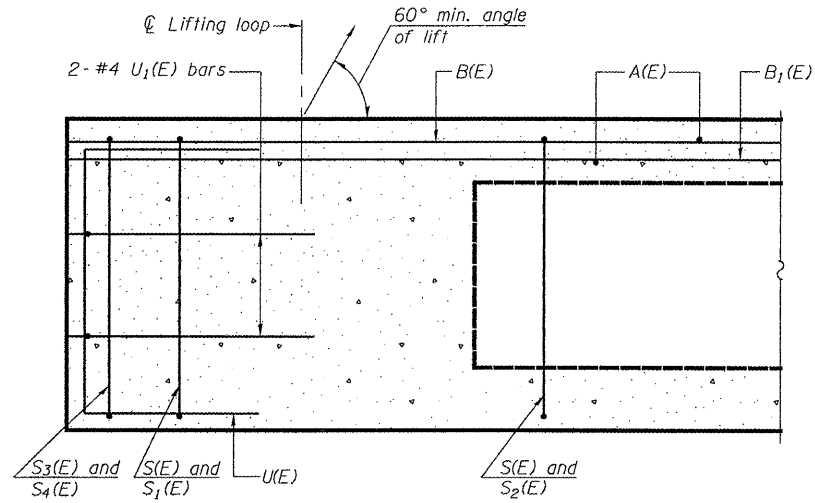
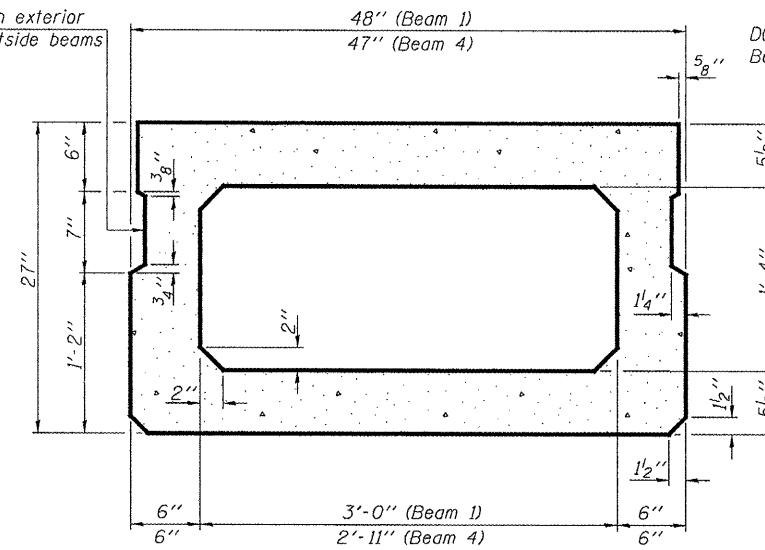


STATE OF ILLINOIS  
DEPARTMENT OF TRANSPORTATION

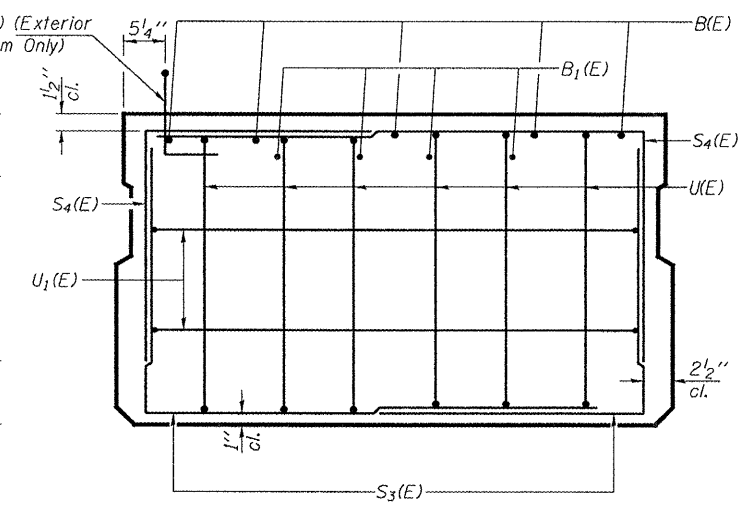


SECTION C-C

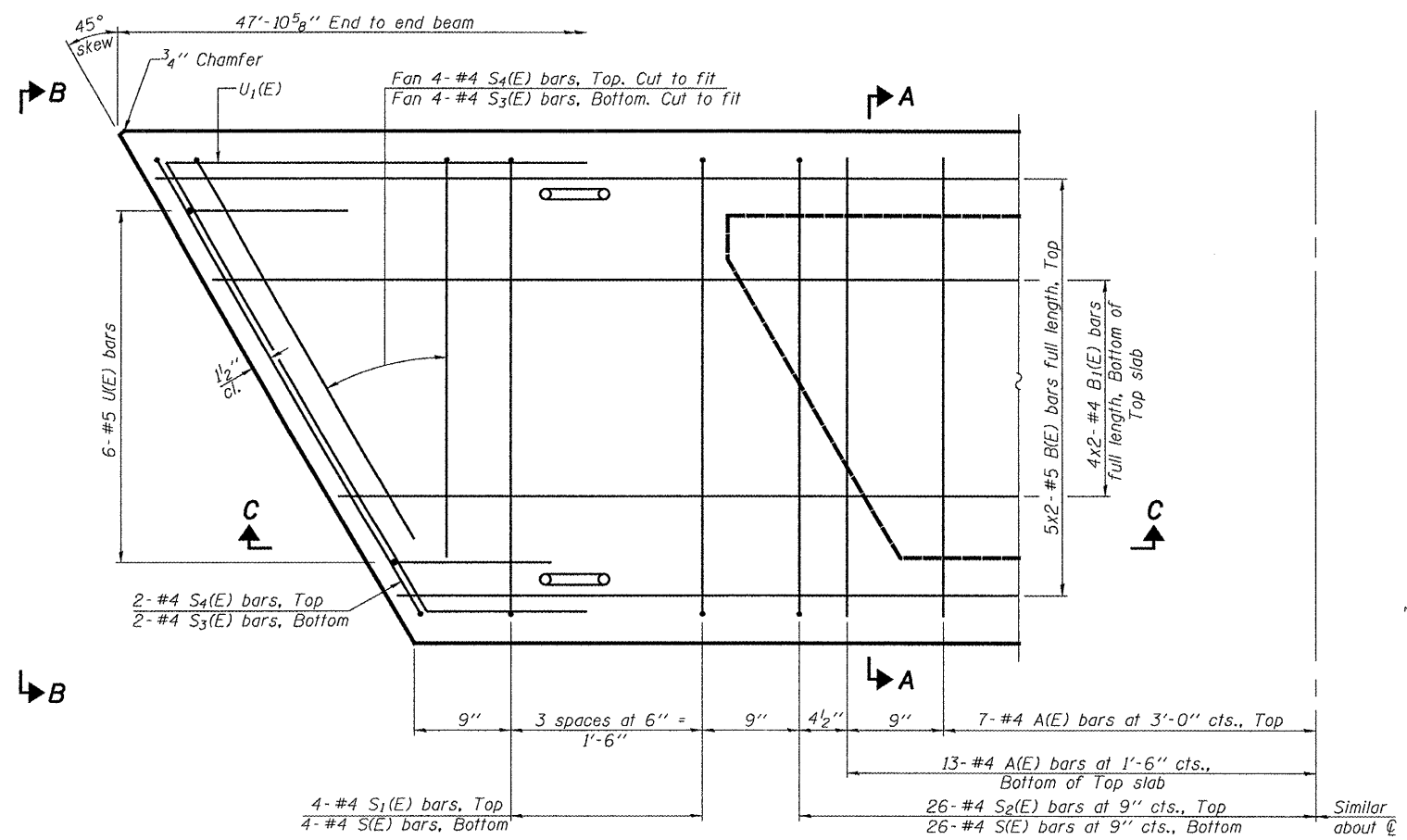
Omit key on exterior  
Face of outside beams



SECTION A-A  
(Showing dimensions)

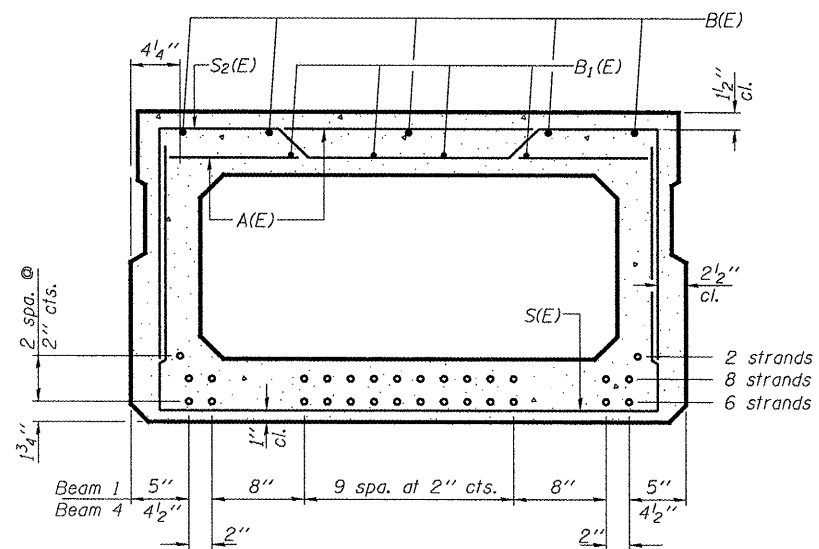


VIEW B-B



PLAN VIEW

Note: Spacing of S(E) and S2(E) bars may be adjusted up to 4" in the immediate area of the transverse tie diaphragms to miss the block outs for the transverse ties.



SECTION A-A

D(E) bar omitted for clarity  
(Showing reinforcement and permissible strand locations)  
Note: Place the number of strands specified in each row symmetrically about the centerline of beam in the permissible strand locations shown.

BAR LIST FOR  
ONE 47" BEAM ONLY  
(For information only)

Bar	No.	Size	Length	Shape
A(E)	40	#4	3'-7"	—
B(E)	10	#5	25'-0"	—
B1(E)	8	#4	24'-9"	—
S(E)	60	#4	7'-4"	┌┐
S1(E)	8	#4	6'-10"	┌┐
S2(E)	52	#4	7'-1"	┌┐
S3(E)	8	#4	5'-5"	┌┐
S4(E)	8	#4	5'-2"	┌┐
U(E)	12	#5	4'-6"	┌┐
U1(E)	4	#4	10'-9"	┌┐

BAR LIST FOR  
ONE 48" BEAM ONLY  
(For information only)

Bar	No.	Size	Length	Shape
A(E)	40	#4	3'-7"	—
B(E)	10	#5	25'-0"	—
B1(E)	8	#4	24'-9"	—
S(E)	60	#4	7'-5"	┌┐
S1(E)	8	#4	6'-11"	┌┐
S2(E)	52	#4	7'-2"	┌┐
S3(E)	8	#4	5'-5"	┌┐
S4(E)	8	#4	5'-2"	┌┐
U(E)	12	#5	4'-6"	┌┐
U1(E)	4	#4	10'-11"	┌┐

Bars indicated thus 5 x 2 #5 etc. indicates 5 lines of bars with 2 lengths per line.  
Note: See sheets 2 & 5 of 7 for additional details and Bill of Material.

MIN. BAR LAP

#4 = 1'-8"  
#5 = 2'-2"

BEAM DETAILS - SPAN 2  
US ROUTE 67 OVER  
FARMER'S FORK  
SN 055-0027

DESIGNED	ATH
CHECKED	AJB
DRAWN	Kyle M. Steffen
CHECKED	ATH AJB

NOVEMBER 6, 2008  
EXAMINED *Carl P. ...*  
PASSED *Ralph E. Anderson*  
ENGINEER OF STRUCTURAL SERVICES  
ENGINEER OF BRIDGES AND STRUCTURES

PD-2748-R 5-16-08

SHEET NO. 4	F.A.P. RTE.	SECTION	COUNTY	TOTAL SHEETS	SHEET NO.
	310	-	McDONOUGH	16	13
7 SHEETS	CONTRACT NO.				
FED. ROAD DIST. NO.		ILLINOIS	FED. AID PROJECT		