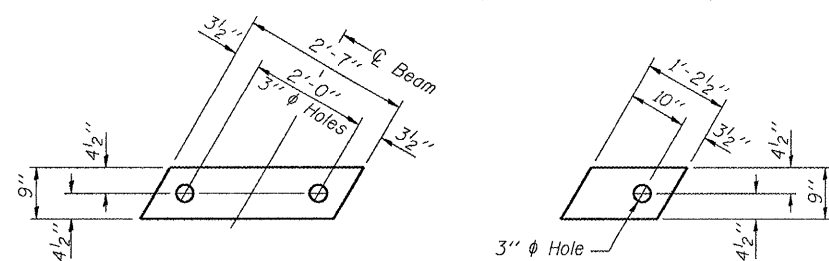
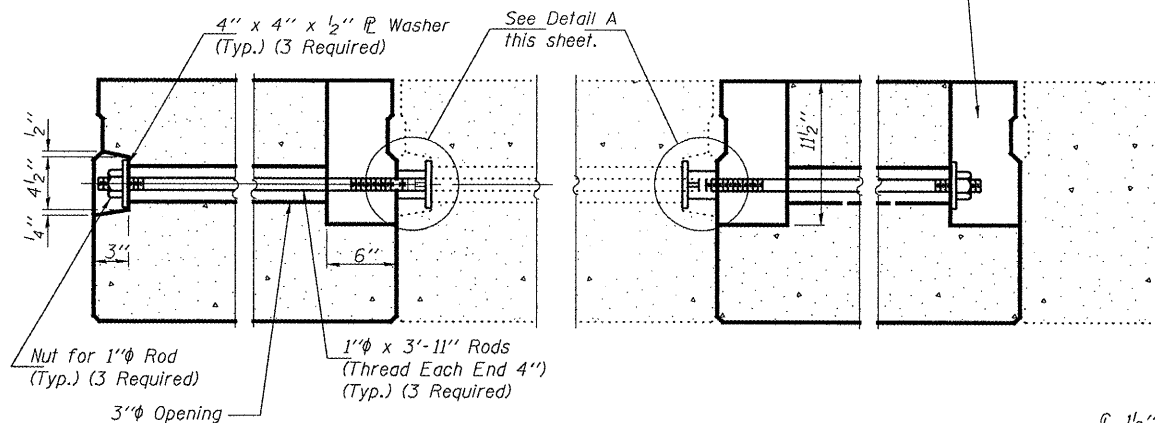
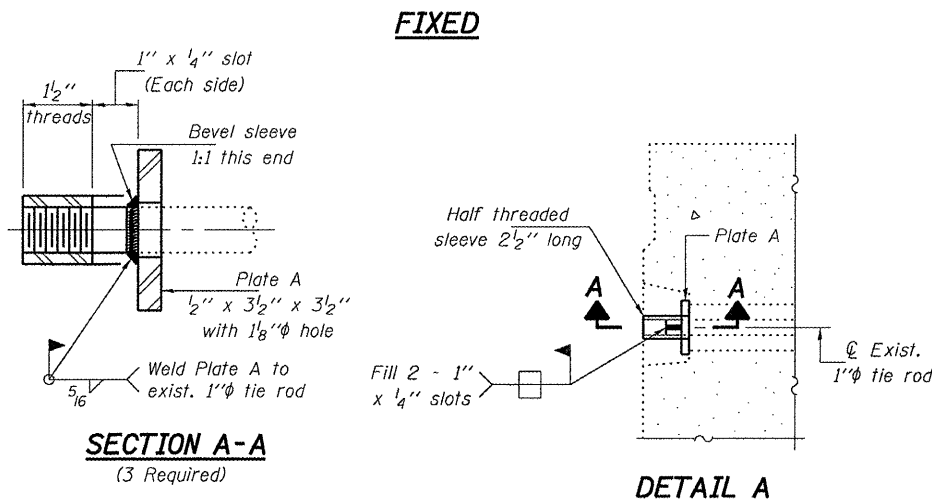


STATE OF ILLINOIS
DEPARTMENT OF TRANSPORTATION

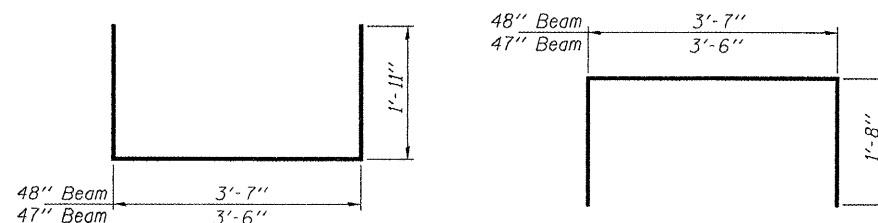
6" x 6" x 1 1/2" Blockout to be filled with non-shrink grout as specified in the special provision Concrete Deck Beams (Min. compressive strength at 7 days = 6000psi) after Beams have been installed. Cost shall be included in the cost of "Concrete Wearing Surface". (Typ.)



FABRIC BEARING PAD FABRIC ADJUSTING SHIM



TYPICAL TRANSVERSE TIE ASSEMBLY



BAR S(E) BAR S₁(E) BAR S₂(E) BAR S₃(E) BAR S₄(E) BAR U(E)

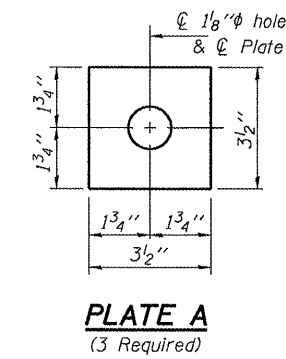
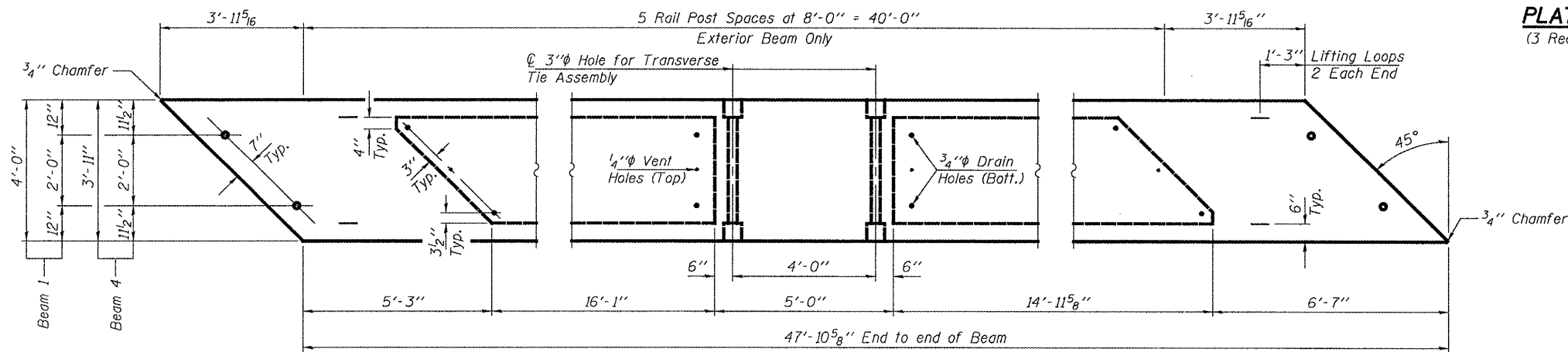


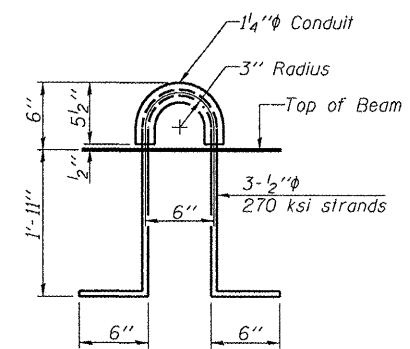
PLATE A (3 Required)



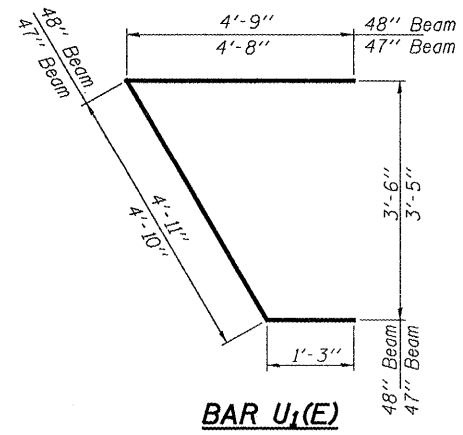
BEAM PLAN - SPAN 2

NOTES

Prestressing steel shall be uncoated high strength, low relaxation 7-wire strand, Grade 270. The nominal diameter shall be 1/2" and the nominal cross-sectional area shall be 0.153 sq. in. The 1" rods in the transverse tie assembly shall be tightened to a snug fit and the threads set. Pockets on exterior faces of bridge shall be filled with grout after transverse tie assembly is in place. Reinforcement bars shall conform to ASTM A 706, Grade 60. (See Special Provisions). Two 1/8" fabric adjusting shims of the dimensions shown shall be provided for each bearing pad location. A minimum 2 1/2" lifting pin shall be used to engage the lifting loops during handling. Corrosion Inhibitor, per Article 1020.05(b)(12) and 1021.06 of the Standard Specifications, shall be used in the concrete for precast prestressed concrete deck beams. Compressive strength of prestressed concrete, f'c, shall be 6000 psi. Compressive strength of prestressed concrete at release, f'ci, shall be 5000 psi.



LIFTING LOOP DETAIL



BAR U₁(E)

BILL OF MATERIAL

Precast Prestressed Conc. Deck Bms. (27" depth)	Sq. Ft.	379
---	---------	-----

BEAM DETAILS - SPAN 2
US ROUTE 67 OVER
FARMER'S FORK
SN 055-0027

DESIGNED	ATH
CHECKED	AJB
DRAWN	Kyle M. Steffen
CHECKED	ATH AJB

NOVEMBER 6, 2008
EXAMINED *Carl Thayer*
ENGINEER OF STRUCTURAL SERVICES
PASSED *Ralph E. Anderson*
ENGINEER OF BRIDGES AND STRUCTURES

SHEET NO. 5 7 SHEETS	F.A.P. RTE. 310	SECTION -	COUNTY McDONOUGH	TOTAL SHEETS 16	SHEET NO. 14
	FED. ROAD DIST. NO.			ILLINOIS FED. AID PROJECT	