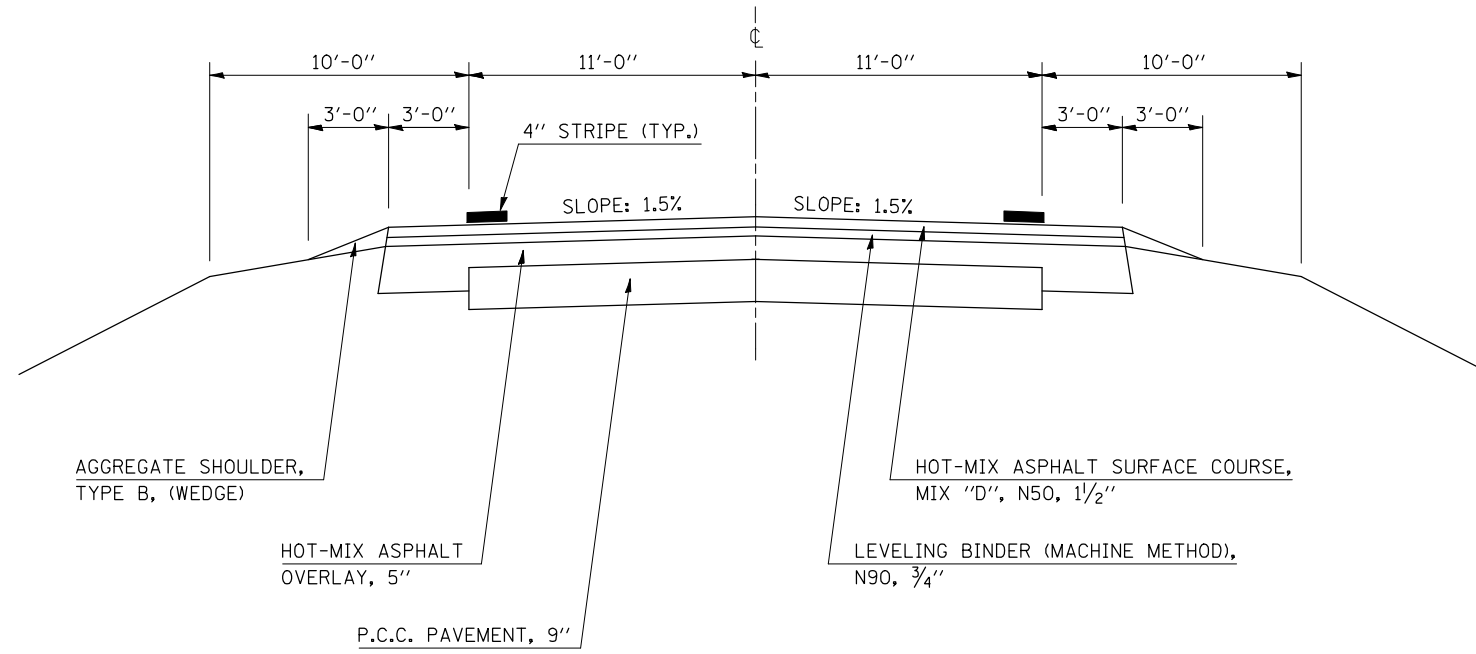


# EXISTING TYPICAL SECTION – FAP 317 (US 24)

STATION TO STATION  
851+20.00 1133+00.00



**LOCATION #5**

FILE NAME =	USER NAME = austinr1	DESIGNED - RLA	REVISED -
ct\projects\d570736\cadsheets\d570736-sh-typical.dgn		DRAWN - RLA	REVISED -
PLOT SCALE = 100.0000' / IN.		CHECKED - JMS	REVISED -
PLOT DATE = 10/14/2008		DATE - 08-2008	REVISED -

**STATE OF ILLINOIS  
DEPARTMENT OF TRANSPORTATION**

**EXISTING TYPICAL SECTIONS**

SCALE: N/A SHEET NO. OF SHEETS STA. TO STA.

F.A. RTE.	SECTION	COUNTY	TOTAL SHEETS	SHEET NO.
VAR.	D5 CRACK & JOINT SEAL 2009-1	MCLEAN	21	15
FED. ROAD DIST. NO. ILLINOIS FED. AID PROJECT			CONTRACT NO. 70736	