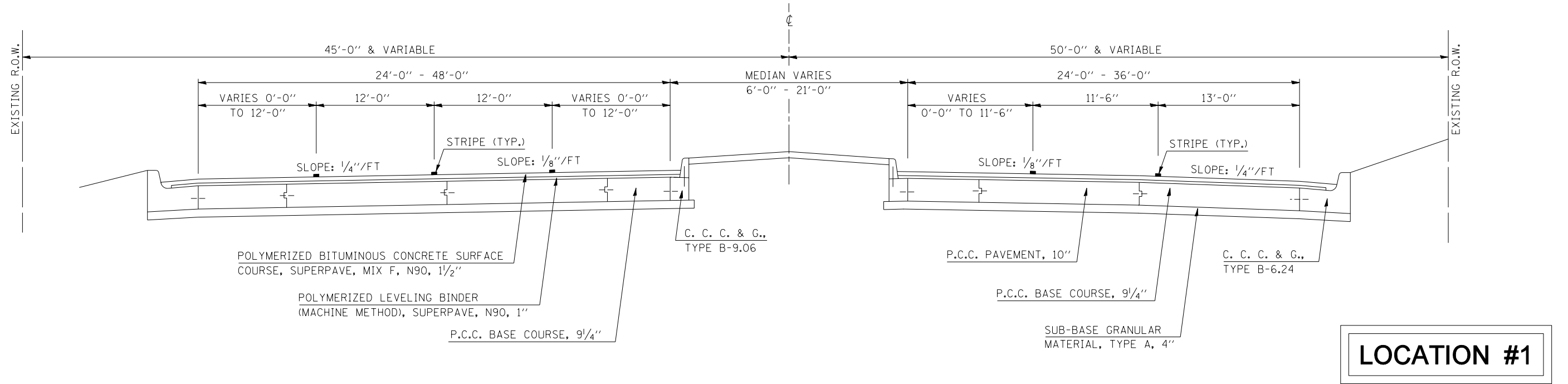


EXISTING TYPICAL SECTION

MATTIS AVENUE (NORTH OF SPRINGFIELD AVENUE TO UNIVERSITY AVENUE)

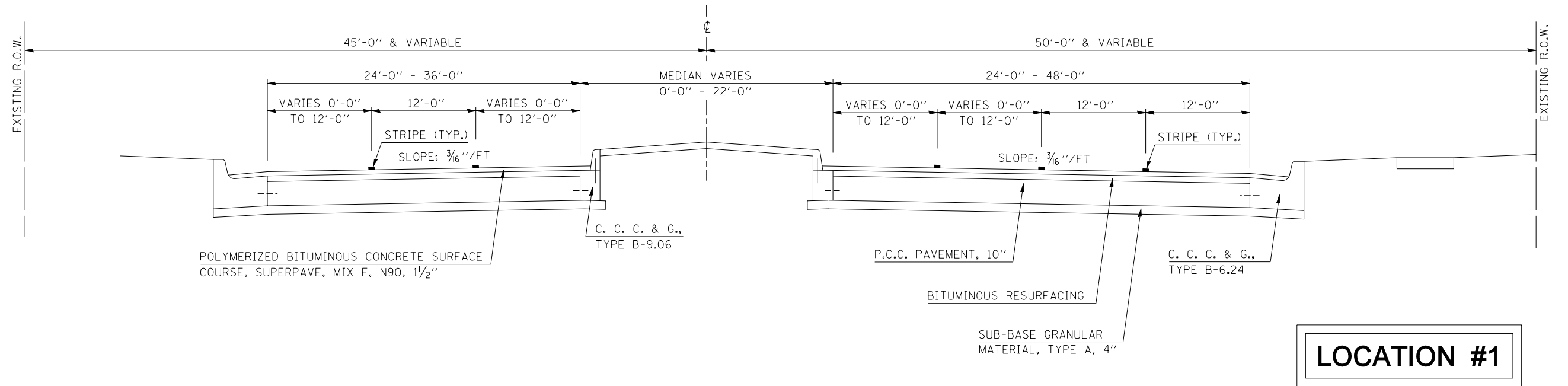
STATION TO STATION
309+81.60 322+26.00



EXISTING TYPICAL SECTION

MATTIS AVENUE (UNIVERSITY AVENUE TO CHURCH STREET)

STATION TO STATION
322+26.00 324+43.00
326+82.00 329+08.00



* D5 CRACK & JOINT SEAL 2009-2
** CHAMPAIGN, DOUGLAS AND VERMILION

FILE NAME =	USER NAME = phillipsjr	DESIGNED - RLA	REVISED -
ci:\projects\d570737\cad\sheet\d570737-sh1-typical.dgn		DRAWN - RLA	REVISED -
		CHECKED - JMS	REVISED -
		DATE - 10/07/08	REVISED -

STATE OF ILLINOIS
DEPARTMENT OF TRANSPORTATION

EXISTING TYPICAL SECTIONS (LOCATION #1)				
SCALE:	SHEET NO.	OF SHEETS	STA.	TO STA.

F.A. RTE.	SECTION	COUNTY	TOTAL SHEETS	SHEET NO.
VAR.	*	**	42	13
CONTRACT NO. 70737				
FED. ROAD DIST. NO. ILLINOIS FED. AID PROJECT				