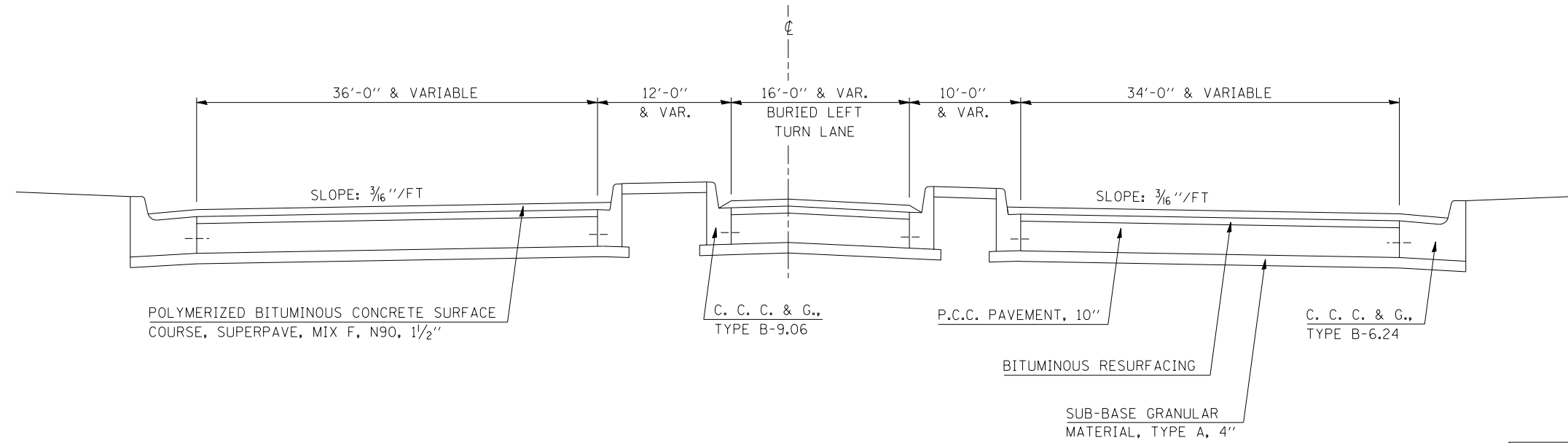


# EXISTING TYPICAL SECTION

MATTIS AVENUE ( SOUTH OF PARK STREET TO SCHNUCK'S ENTRANCE )

STATION TO STATION  
324+43.00 326+82.00



**LOCATION #1**

\* D5 CRACK & JOINT SEAL 2009-2  
\*\* CHAMPAIGN, DOUGLAS AND VERMILION

FILE NAME =	USER NAME = phillipsjr	DESIGNED - RLA	REVISED -
c:\projects\d570737\cadsheets\d570737-sh1-typ1.dgn		DRAWN - RLA	REVISED -
	PLOT SCALE = 40.0000' / IN.	CHECKED - JMS	REVISED -
	PLOT DATE = 10/22/2008	DATE - 10/07/08	REVISED -

**STATE OF ILLINOIS  
DEPARTMENT OF TRANSPORTATION**

**EXISTING TYPICAL SECTIONS (LOCATION #1)**

SCALE: SHEET NO. OF SHEETS STA. TO STA.

F.A. RTE.	SECTION	COUNTY	TOTAL SHEETS	SHEET NO.
VAR.	*	**	42	14
CONTRACT NO. 70737				
FED. ROAD DIST. NO. ILLINOIS FED. AID PROJECT				