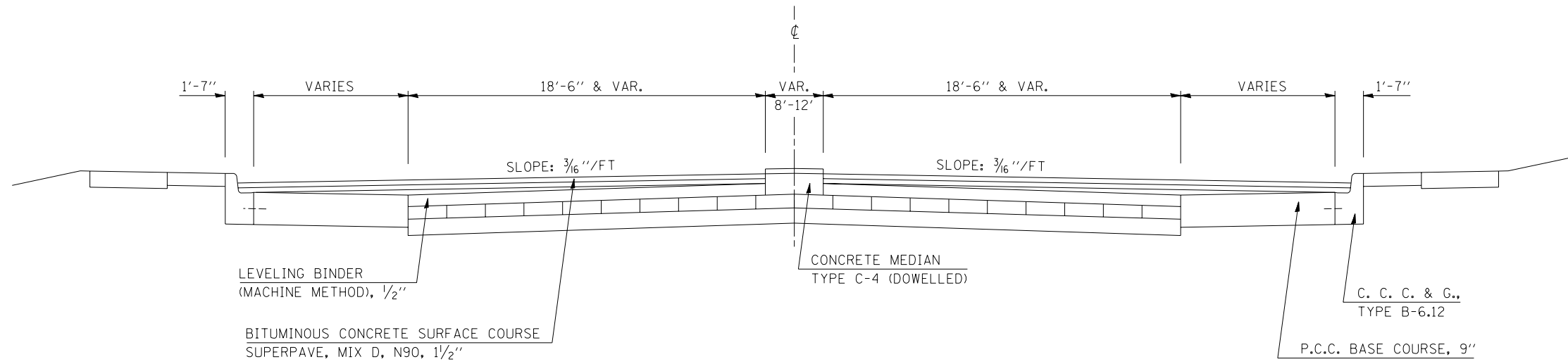


EXISTING TYPICAL SECTION

PROSPECT AVENUE

STATION TO STATION
101+55.00 102+96.00

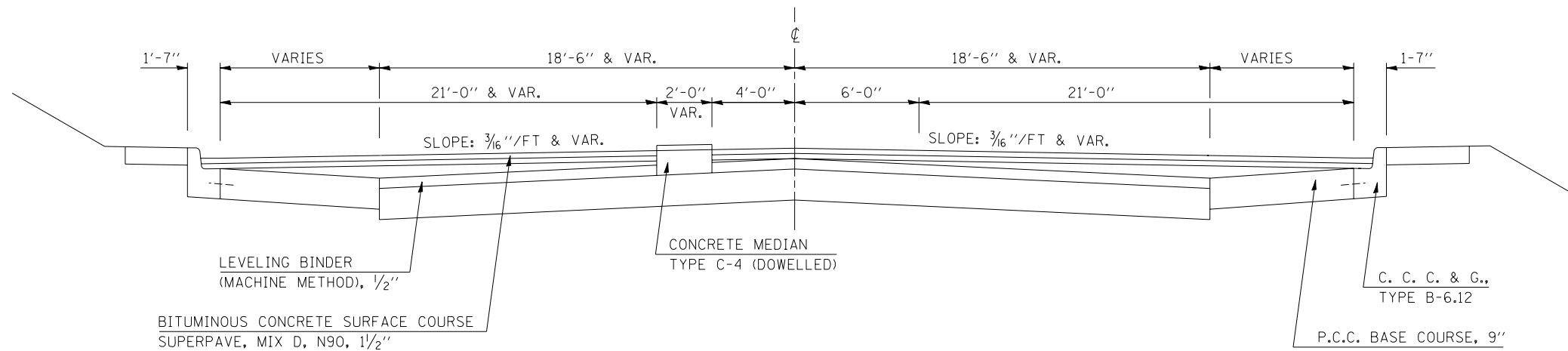


LOCATION #5

EXISTING TYPICAL SECTION

PROSPECT AVENUE

STATION TO STATION
99+70.00 101+55.00



LOCATION #5

* D5 CRACK & JOINT SEAL 2009-2
** CHAMPAIGN, DOUGLAS AND VERMILION

FILE NAME =	USER NAME = phillipsjr	DESIGNED - RLA	REVISED -
ci:\projects\d570737\cad\sheet\d570737-sh1-typ1.dgn		DRAWN - RLA	REVISED -
		CHECKED - JMS	REVISED -
		DATE - 10/07/08	REVISED -

**STATE OF ILLINOIS
DEPARTMENT OF TRANSPORTATION**

EXISTING TYPICAL SECTIONS (LOCATION #5)			
SCALE:	SHEET NO.	OF SHEETS	STA. TO STA.

F.A. RTE.	SECTION	COUNTY	TOTAL SHEETS	SHEET NO.
VAR.	*	**	42	29
CONTRACT NO. 70737				
FED. ROAD DIST. NO. ILLINOIS FED. AID PROJECT				