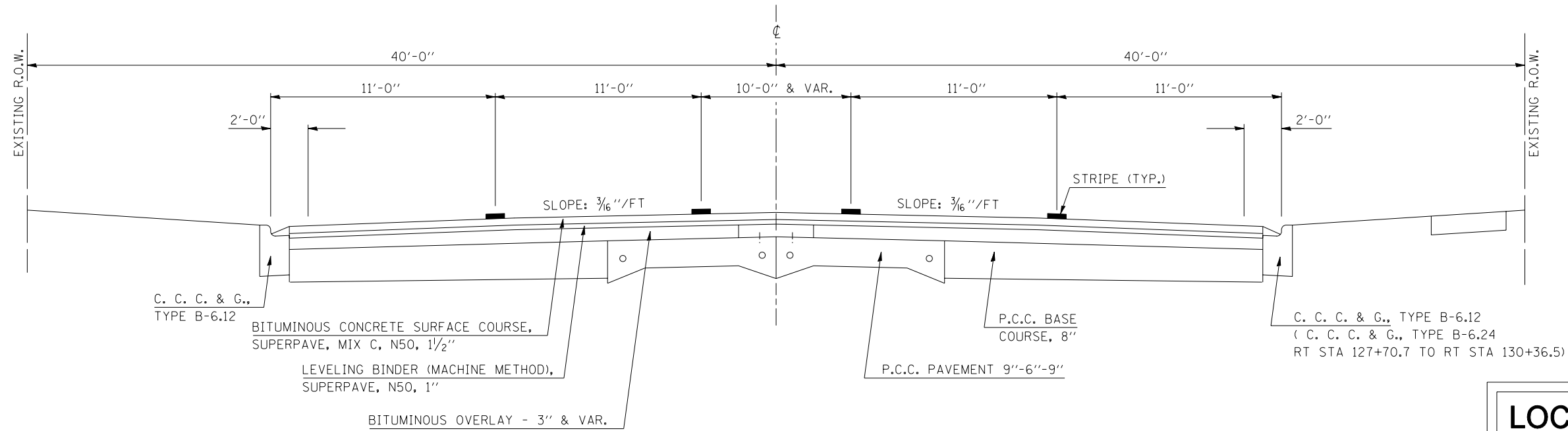


# EXISTING TYPICAL SECTION

STATION TO STATION  
105+00.00 TO 130+36.50

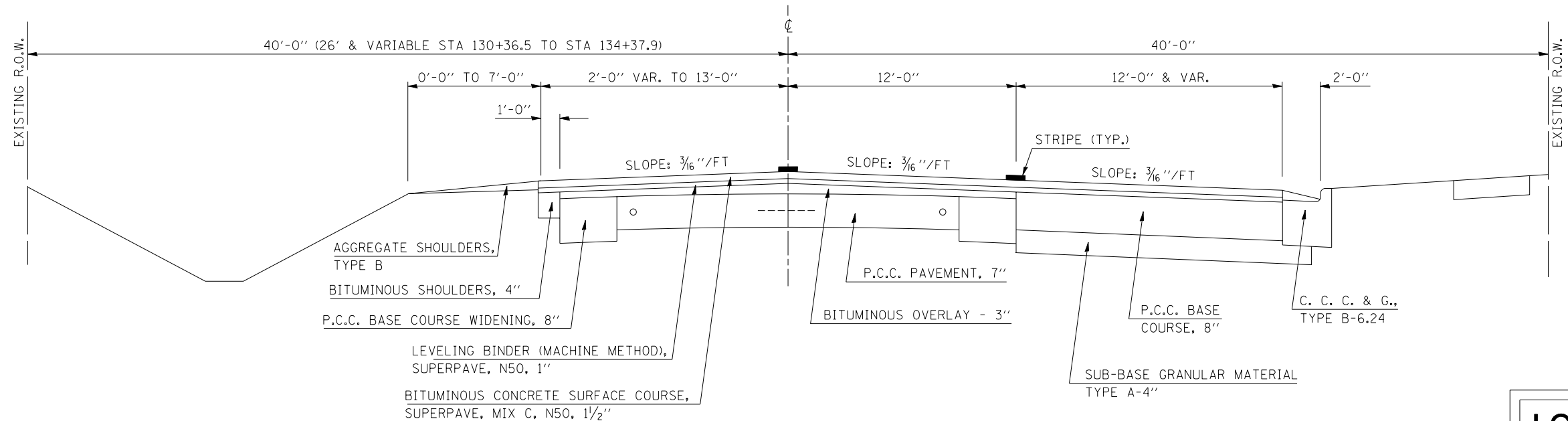
STATION EQUATION:  
STA 109+97.00 BK = STA 110+00.00 AH



# EXISTING TYPICAL SECTION

STATION TO STATION  
130+36.50 TO 141+00.00

STATION EQUATIONS:  
STA 134+37.90 BK = STA 134+40.40 AH  
STA 139+97.40 BK = STA 140+00.00 AH



FILE NAME =	USER NAME = phillipsjr	DESIGNED - RLA	REVISED -
ci:\projects\d570737\cad\sheet\d570737-sh1-typical.dgn		DRAWN - RLA	REVISED -
		CHECKED - JMS	REVISED -
		DATE - 10/07/08	REVISED -

STATE OF ILLINOIS  
DEPARTMENT OF TRANSPORTATION

EXISTING TYPICAL SECTIONS (LOCATION #7)			
SCALE:	SHEET NO.	OF SHEETS	STA. TO STA.

F.A. RTE.	SECTION	COUNTY	TOTAL SHEETS	SHEET NO.
VAR.	*	**	42	33
CONTRACT NO. 70737				
FED. ROAD DIST. NO. ILLINOIS FED. AID PROJECT				

\* D5 CRACK & JOINT SEAL 2009-2  
\*\* CHAMPAIGN, DOUGLAS AND VERMILION

LOCATION #7