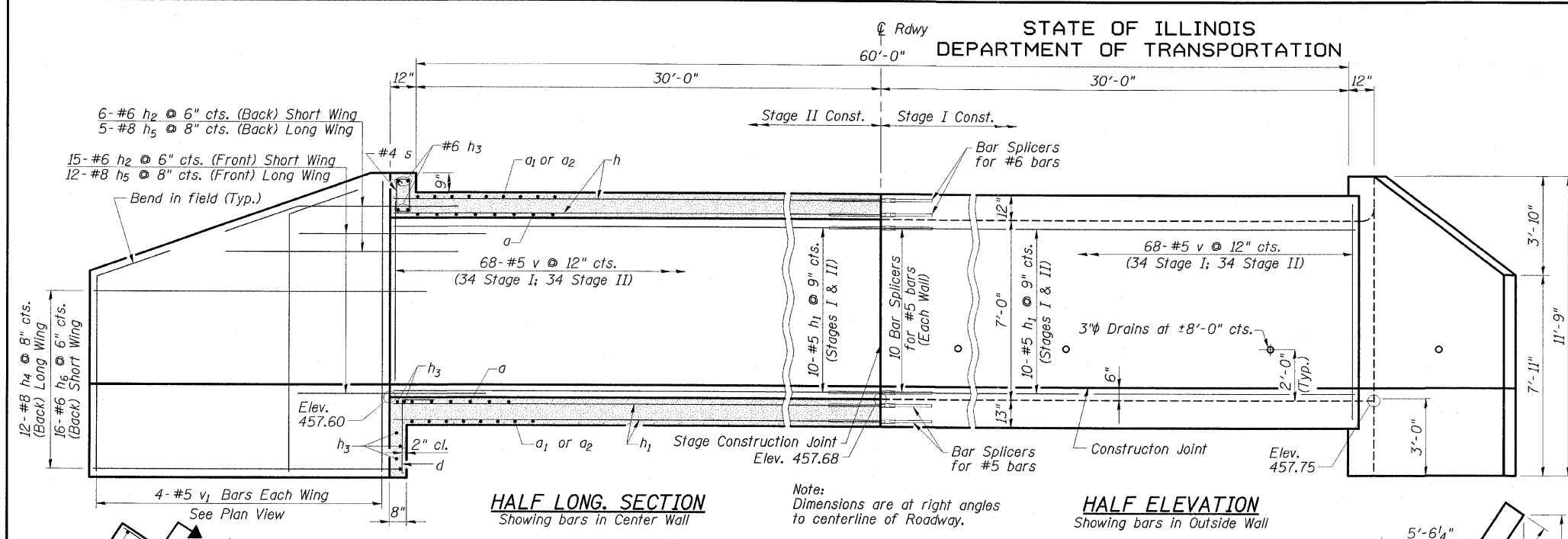
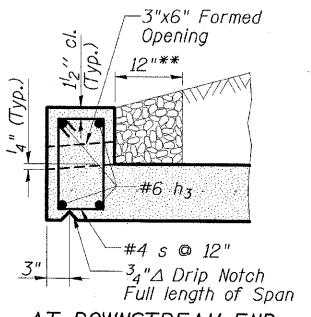
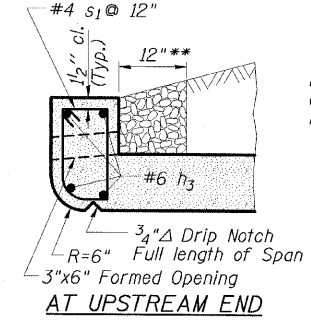


STATE OF ILLINOIS
DEPARTMENT OF TRANSPORTATION

ROUTE NO.	SECTION	COUNTY	USER'S	SHEET	SHEET NO. 3
FAP 328	*	CLAY	309	15	6 SHEETS
FED. ROAD DIST. NO. ILLINOIS					FED. AID PROJECT- (6BR-1)B-1
Contract #74107					

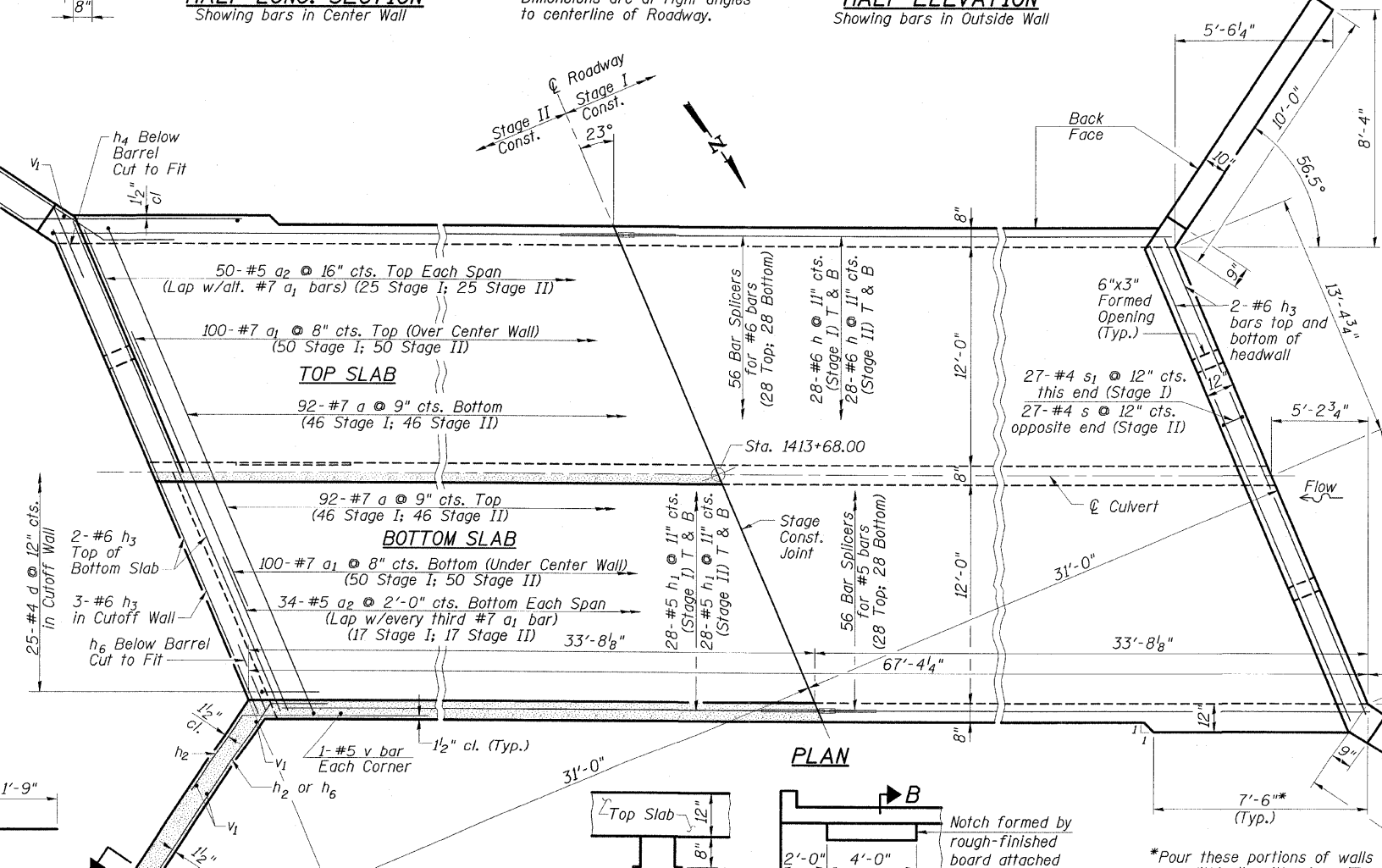
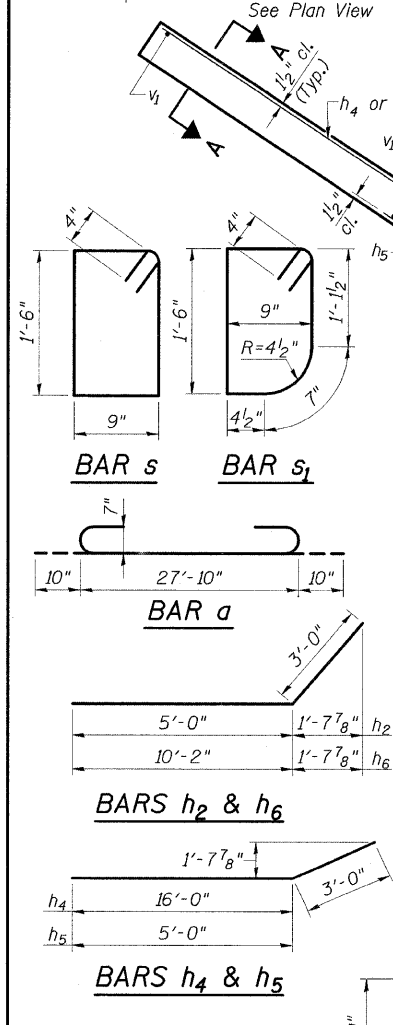


** Coarse aggregate full length of both headwalls. To be placed by Grading Contractor. Cost included with Concrete Box Culverts.

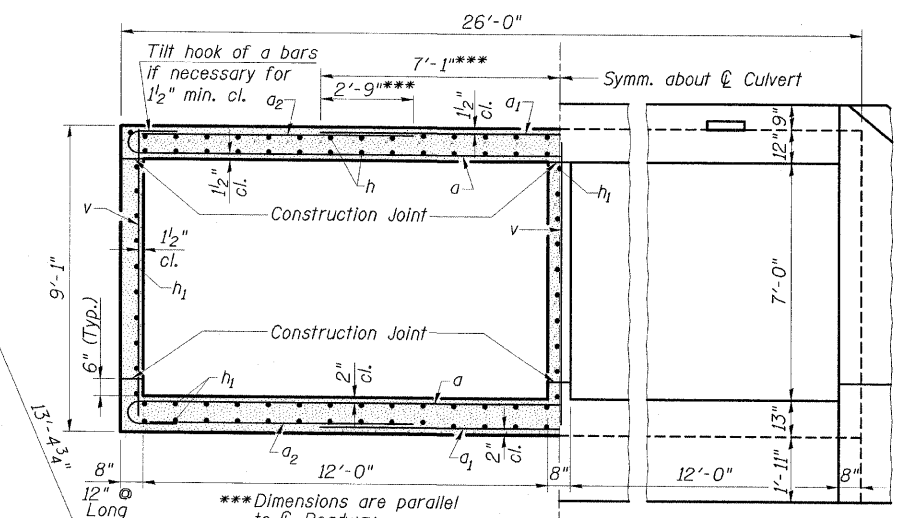


BILL OF MATERIAL

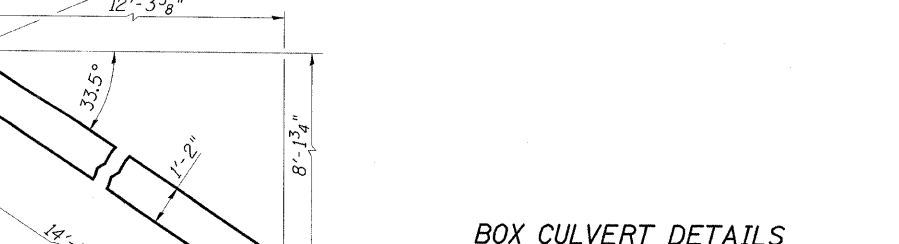
Bar	No.	Size	Length	Shape
a	184	#7	29'-6"	U
a1	200	#7	14'-2"	U
a2	168	#5	9'-8"	U
d	50	#4	4'-6"	U
h	112	#6	33'-5"	U
h1	172	#5	33'-5"	U
h2	42	#6	8'-0"	U
h3	18	#6	28'-0"	U
h4	24	#8	19'-0"	U
h5	34	#8	8'-0"	U
h6	32	#6	13'-2"	U
s	27	#4	5'-2"	D
s1	27	#4	5'-0"	D
v	208	#5	8'-9"	U
v1	16	#5	10'-9"	U
Concrete Box Culverts	Cu. Yd.		183	
Reinforcement Bars	Pound		36,450	
Bar Splicers	Each		142	



SECTION A-A
(Bars shown are in long wing)



HALF SECTION THRU BARREL and **HALF END ELEVATION**



ESCA
CONSULTANTS, INC.

DESIGNED BY: FMA 02/08
DRAWN BY: CJ 02/08
CHECKED BY: ELH 05/08
APPROVED BY: RDP 08/08

BOX CULVERT DETAILS
US 45 OVER GROVE CREEK
FAP ROUTE 328 - SECTION (6BR-1)B-1
CLAY COUNTY
STATION 1413+68.00
STRUCTURE NO. 013-2009