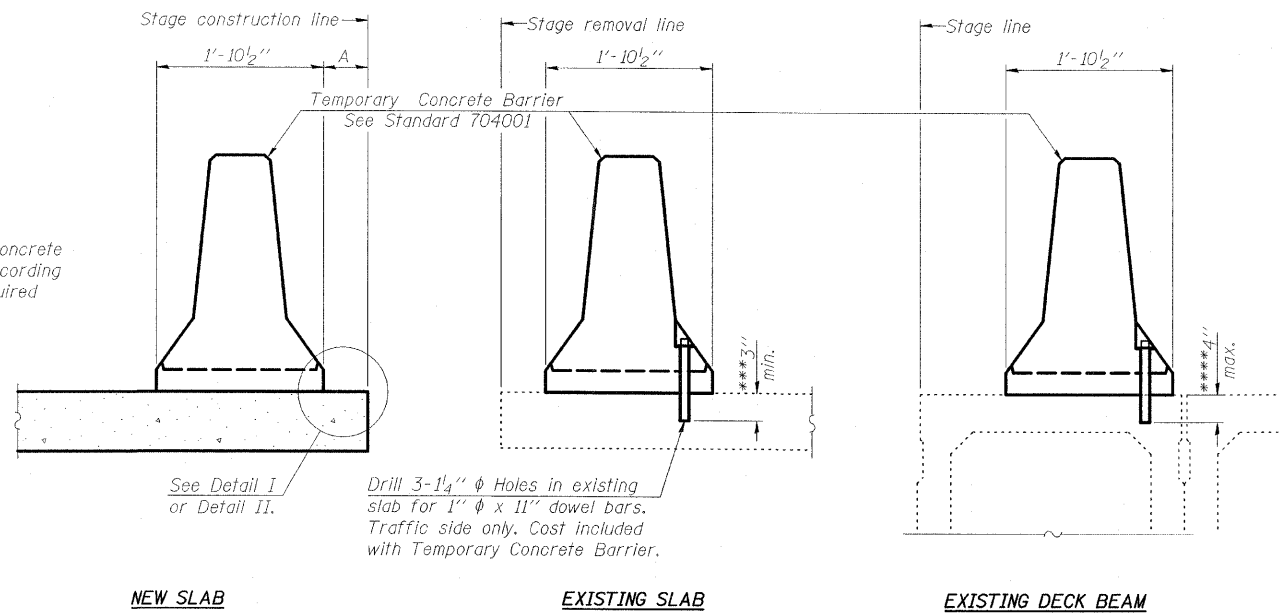


STATE OF ILLINOIS  
DEPARTMENT OF TRANSPORTATION

ROUTE NO.	SECTION	COUNTY	JOB SHEETS	SHEET NO.
FAP 328	*	CLAY	109	18
SHEET NO. 6 6 SHEETS				
FED. ROAD DIST. NO.	ILLINOIS	FED. AID PROJECT		
			Contract #74107 *6BR-1B-1	

When "A" is 3'-6" or less, the temporary concrete barrier shall be anchored to the new slab according to Detail I or Detail II. No anchorage is required when "A" is greater than 3'-6".



Drill 3-1/4"  $\phi$  Holes in existing slab for 1"  $\phi$  x 11" dowel bars. Traffic side only. Cost included with Temporary Concrete Barrier.

**NOTES**

**Detail I - With Bar Splicer or Couplers:**  
Connect one (1) 1"x7"x10" steel  $\bar{L}$  to the top layer of couplers with 2-5/8"  $\phi$  bolts screwed to coupler at approximate  $\bar{C}$  of each barrier panel.

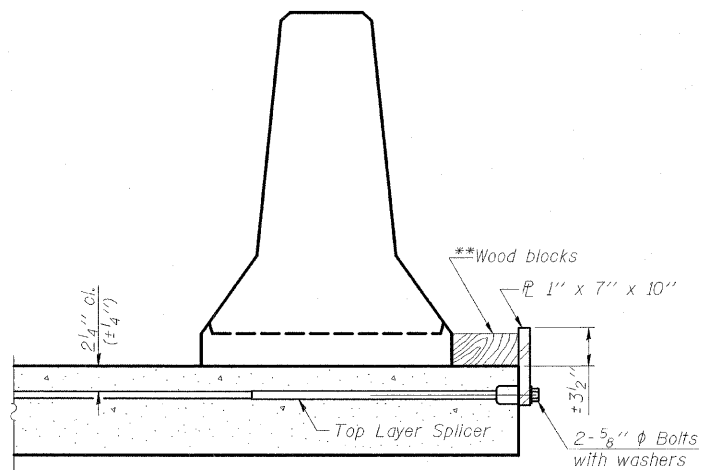
**Detail II - With Extended Reinforcement Bars:**  
Connect one (1) 1"x7"x10" steel  $\bar{L}$  to the concrete slab or concrete wearing surface with 2-5/8"  $\phi$  Expansion Anchors or cast in place inserts spaced between the top layer of reinforcement at approximate  $\bar{C}$  of each barrier panel.

Cost of anchorage is included with Temporary Concrete Barrier. The 1" x 7" x 10" plate shall not be removed until stage II construction forms and all reinforcement bars are in place and the concrete is ready to be placed.

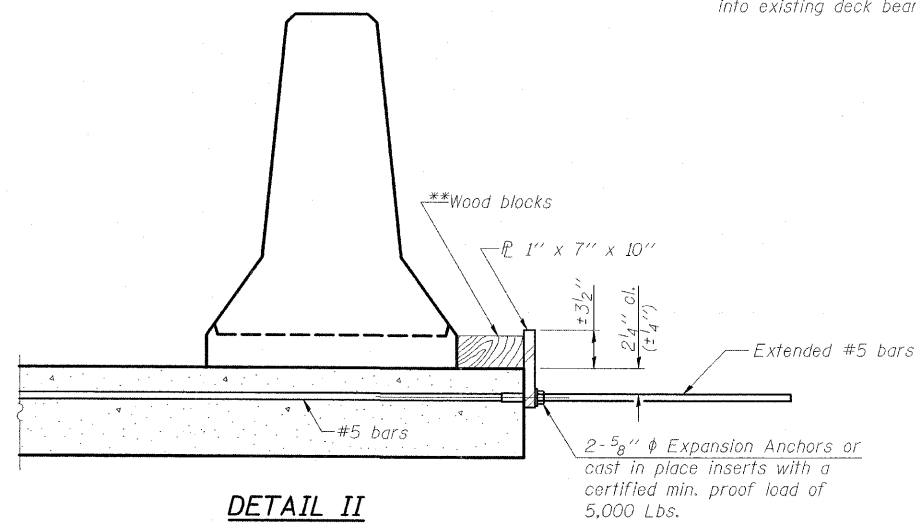
**SECTIONS THRU SLAB OR DECK BEAM**

\*\*\*Dimension shown is minimum required embedment into concrete. If hot-mix asphalt wearing surface is present, minimum embedment shall be in addition to wearing surface depth.

\*\*\*If existing deck beam is to remain in place after stage construction, embedment shall only be into wearing surface and not into existing deck beam concrete.

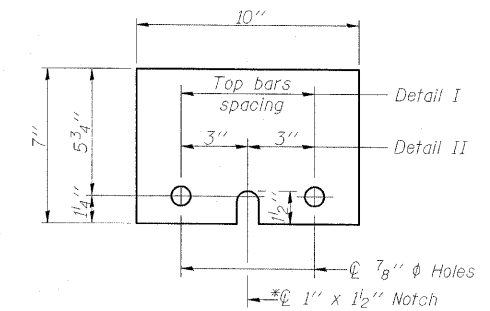


**DETAIL I**



**DETAIL II**

\*\*Wood blocks may be omitted when required to provide minimum stage traffic lane width. When the wood blocks are omitted, the concrete barrier shall be in direct contact with the steel retainer plate.



**STEEL RETAINER  $\bar{L}$  1" x 7" x 10"**

\*Required only with Detail II

**ESCA**  
CONSULTANTS, INC.

DESIGNED BY:	FMA	02/08
DRAWN BY:	CJ	02/08
CHECKED BY:	ELH	05/08
APPROVED BY:	RDP	08/08

R-27

5-16-08

**TEMPORARY CONCRETE BARRIER  
FOR STAGE CONSTRUCTION  
US 45 OVER GROVE CREEK  
FAP ROUTE 328 - SECTION (6BR-1)B-1  
CLAY COUNTY  
STATION 1413+68.00  
STRUCTURE NO. 013-2009**