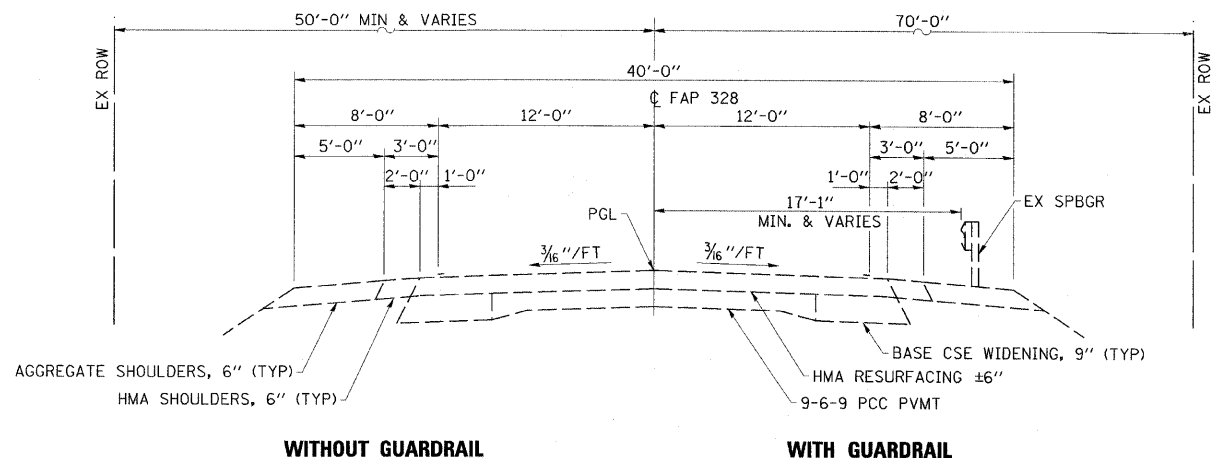
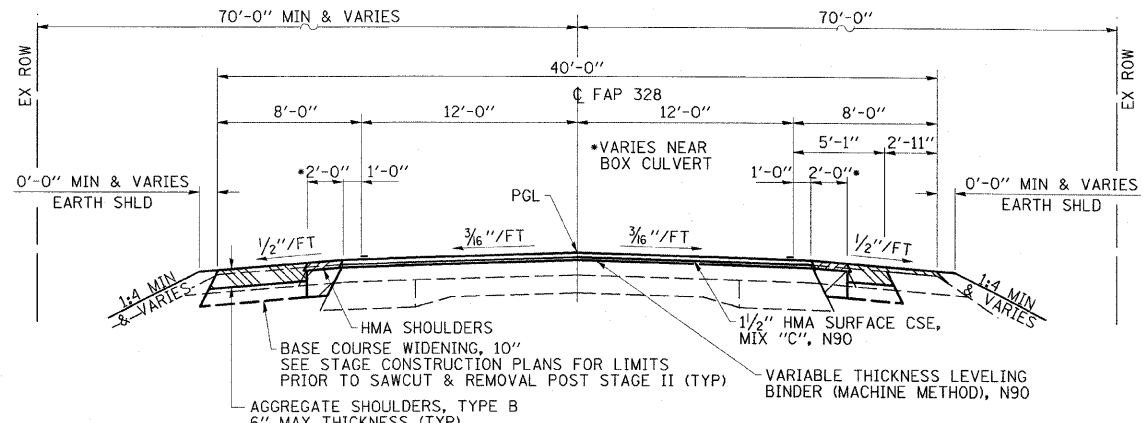




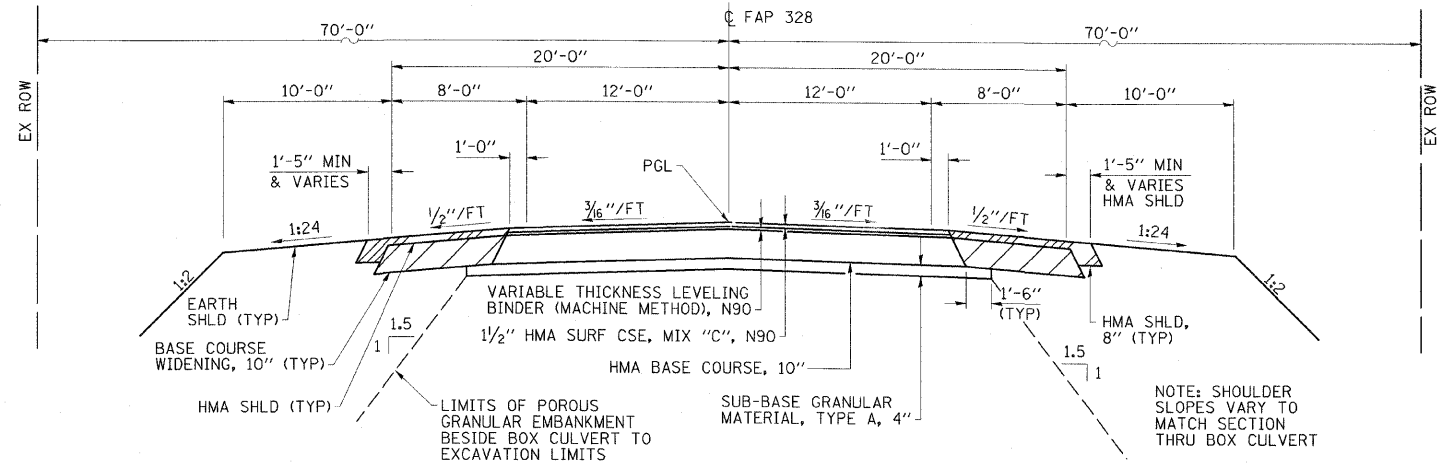
FAP RITE	SECTION	COUNTY	TOTAL SHEETS	SHEET NO.
328	(6BR-3)B-1	CLAY	109	29
STA.		TO STA.		
FED. ROAD DIST. NO.		ILLINOIS	FED. AID PROJECT	



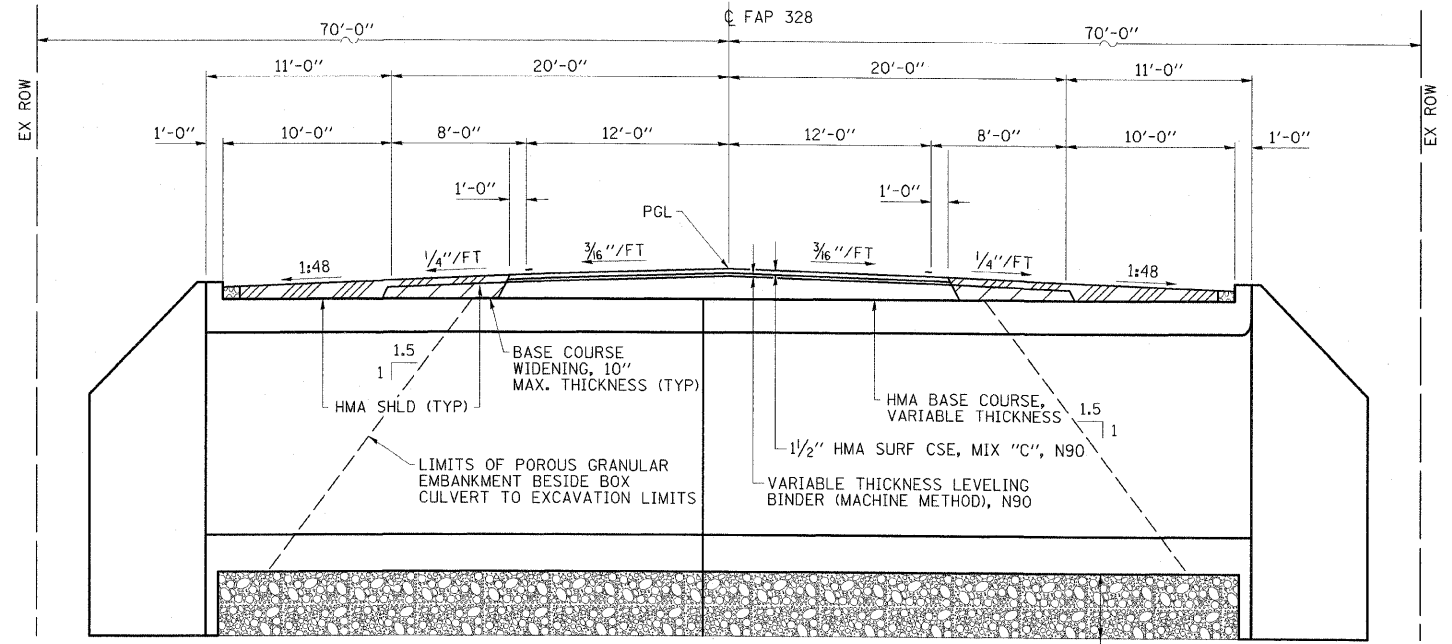
EXISTING TYPICAL ROADWAY SECTION
 STA 1635+00.00 TO 1641+00.00
 BRIDGE OMISSION STA 1637+92.20 TO 1638+14.20



PROPOSED TYPICAL ROADWAY SECTION
 STA 1636+00.00 TO 1640+00.00
 OMISSION STA 1637+73.00 TO 1638+33.00



PROPOSED TYPICAL ROADWAY SECTION
 STA 1637+73.00 TO 1638+33.00
 OMISSION STA 1637+90.20 TO 1638+16.20



SECTION THRU BOX CULVERT
 STA 1637+90.20 TO 1638+16.20

TYPICAL SECTIONS
 US 45 OVER BRANCH OF ELM CREEK
 FAP ROUTE 328 - SECTION (6BR-3)B-1
 CLAY COUNTY
 STATION 1638+03.20
 STRUCTURE NO. 013-2010

ESCA CONSULTANTS, INC.		
DESIGNED BY:	DAJ	04/08
DRAWN BY:	HAS	04/08
CHECKED BY:	MTD	05/08
APPROVED BY:	RDP	08/08