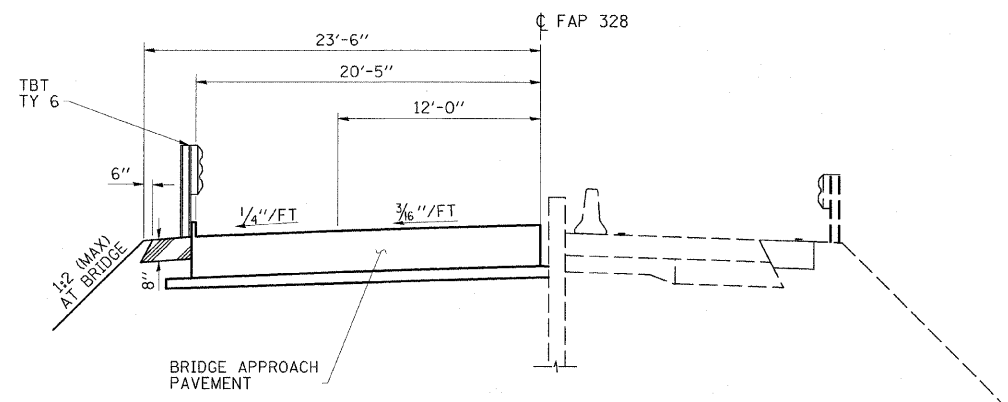
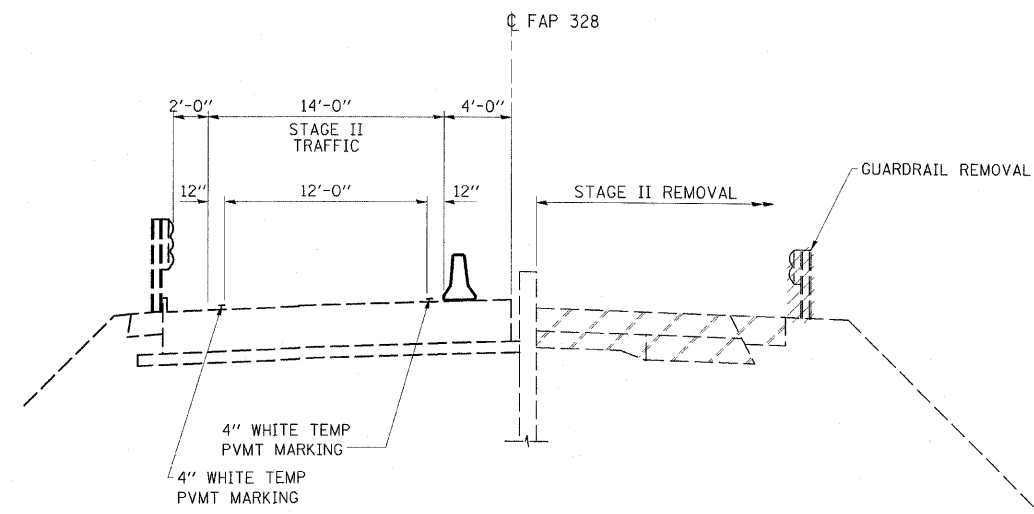
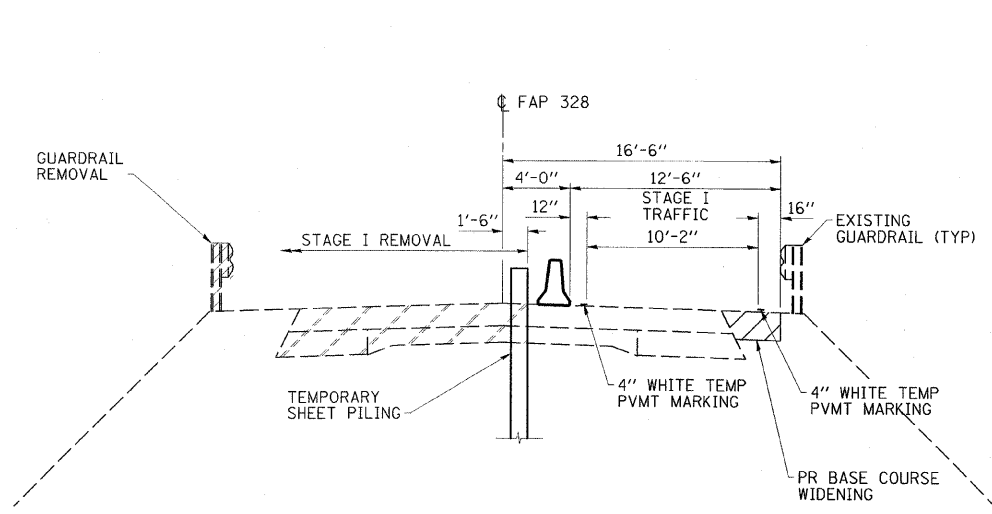
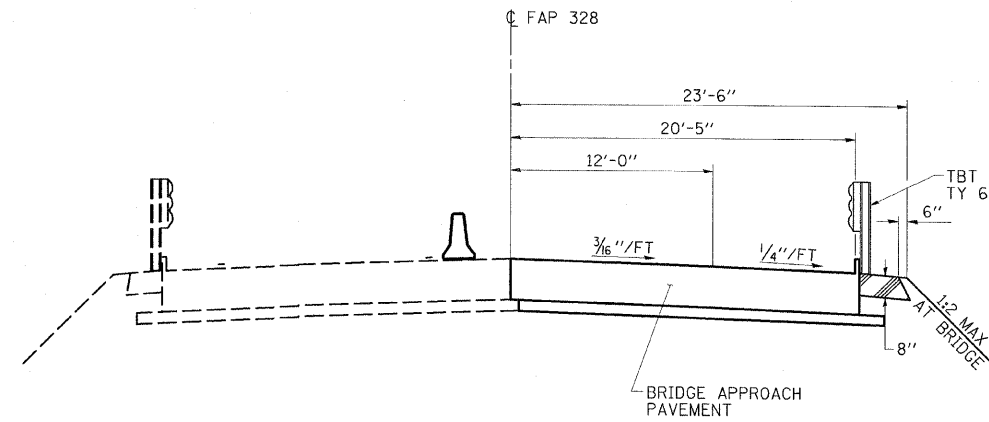


NOTES

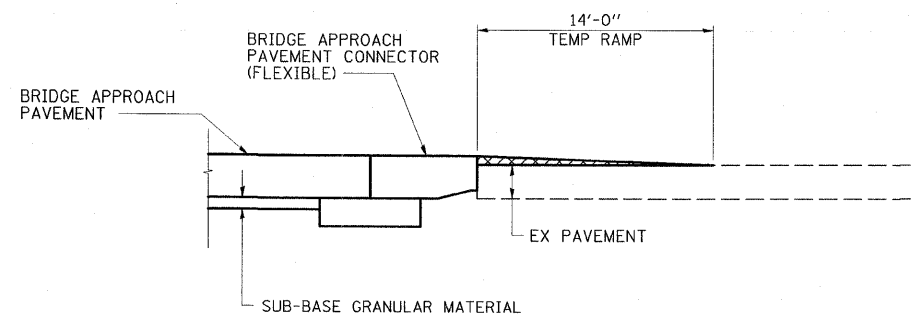
1. SEE STRUCTURE PLANS FOR ADDITIONAL SECTIONS.



**SECTION D-D
(STAGE I)**



**SECTION E-E
(STAGE II)**



SECTION F

ESCA CONSULTANTS, INC.		
DESIGNED BY:	DAJ	04/08
DRAWN BY:	HAS	04/08
CHECKED BY:	MTD	05/08
APPROVED BY:	RDP	08/08

**STAGE CONSTRUCTION DETAILS
US 45 OVER SEMINARY CREEK
FAP ROUTE 328 - SECTION (BBR-4)B-1
CLAY COUNTY**