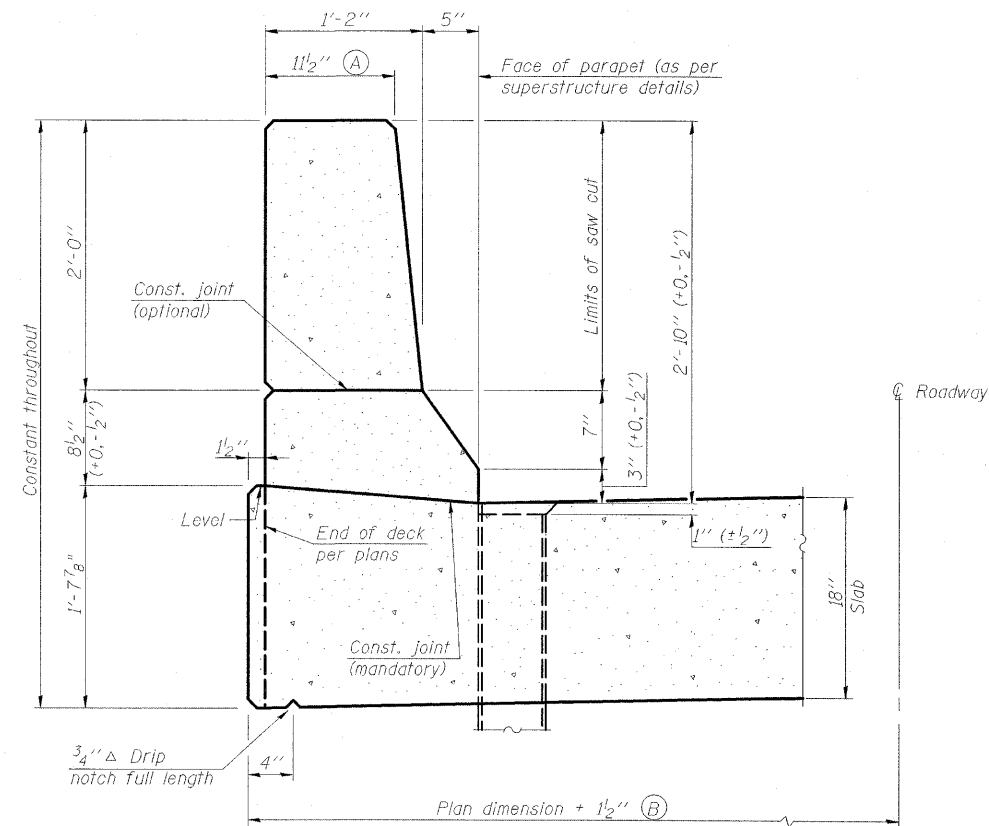
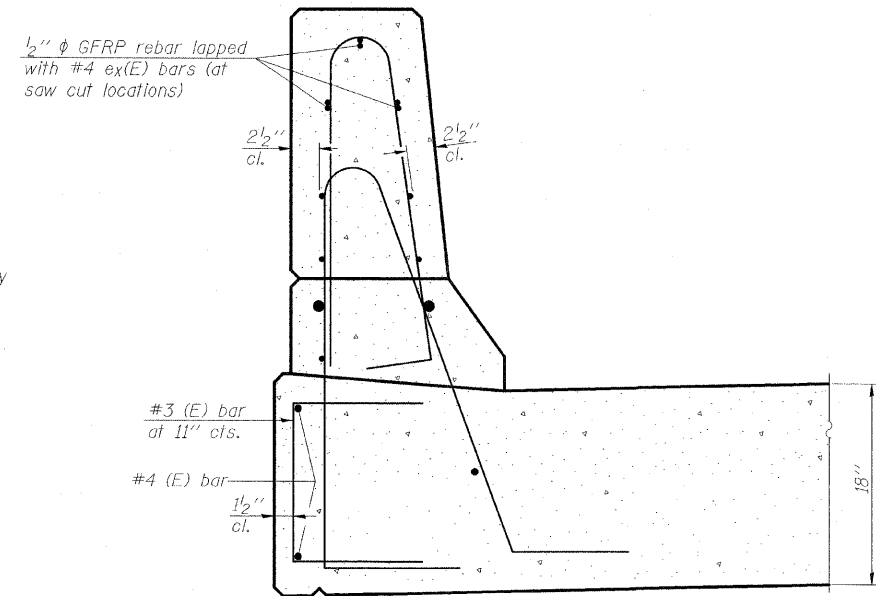


STATE OF ILLINOIS
DEPARTMENT OF TRANSPORTATION

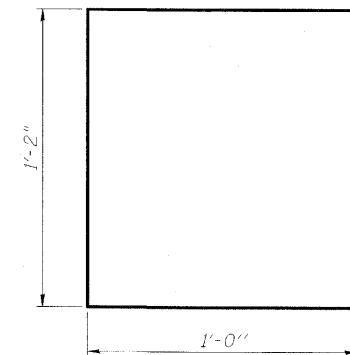
ROUTE NO. FAP 328	SECTION *	COUNTY CLAY	SHEET NO. 109	SHEET NO. 94	SHEET NO. 17 18 SHEETS
FED. ROAD DIST. NO.		ILLINOIS	FED. AID PROJECT		CONTRACT NO. 74107
					(8BR-4)B-1



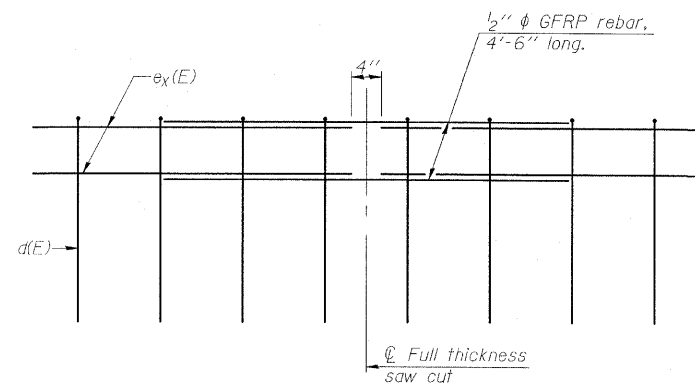
SECTION
(Showing dimensions)



SECTION
(Showing reinforcement clearances for slip forming and additional reinforcement bars)



#3 (E) BAR



GFRP REBAR STIFFENING DETAIL
(Place as shown in parapet section at each parapet joint location.)

**CONCRETE PARAPET
SLIPFORMING OPTION
US 45 OVER SEMINARY CREEK
FAP ROUTE 328 - SECTION (8BR-4)B-1
CLAY COUNTY
STATION 968+56.00
STRUCTURE NO. 013-0043**

ESCA
CONSULTANTS, INC.

DESIGNED BY:	MTD	04/08
DRAWN BY:	DWH	04/08
CHECKED BY:	DAJ	05/08
APPROVED BY:	RDP	08/08