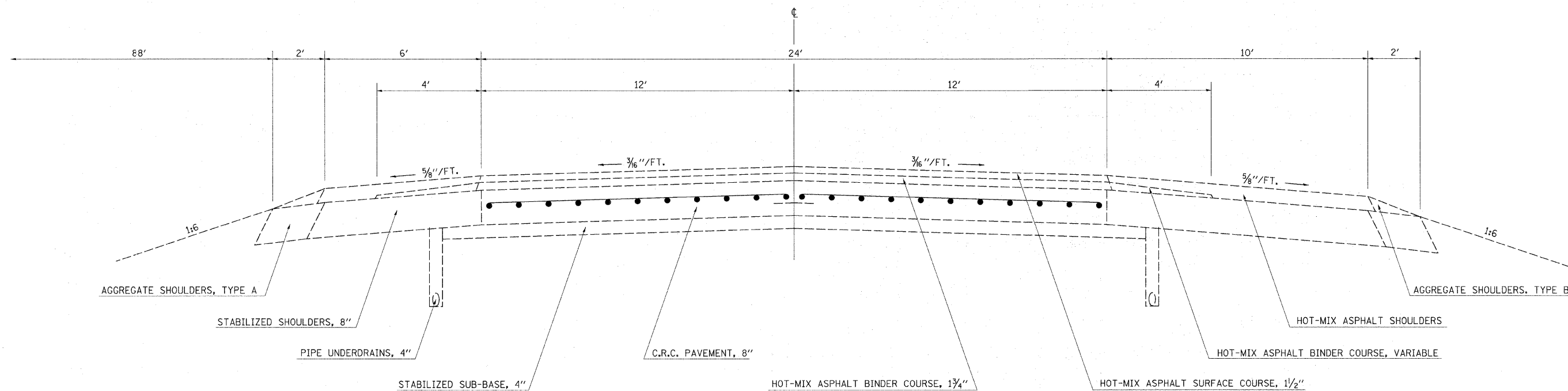


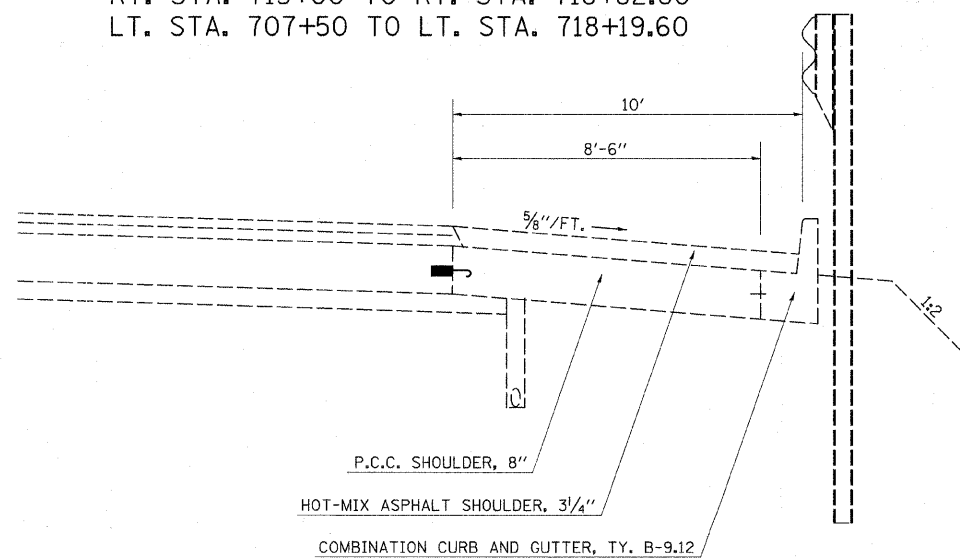
### EXISTING TYPICAL CROSS SECTION

STA. 700+98 TO STA. 910+00



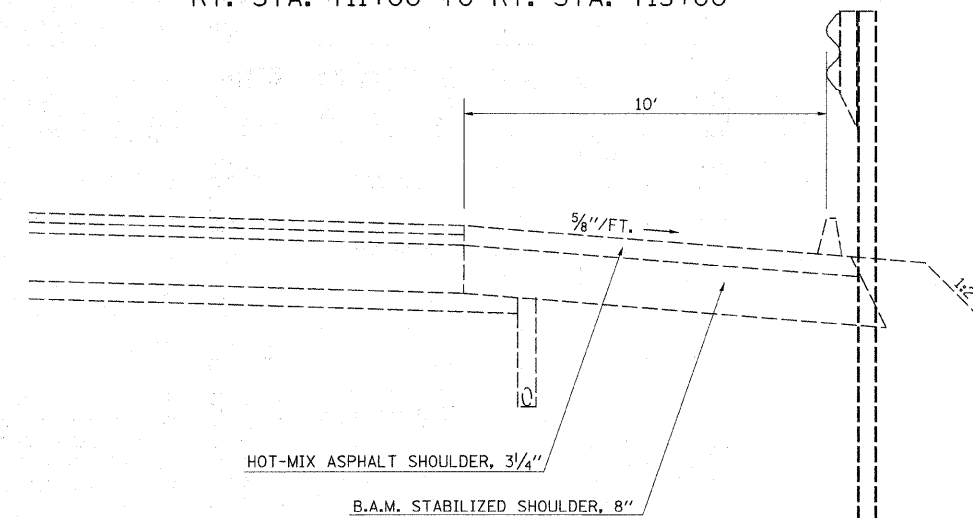
### EXISTING SHOULDER DETAIL

RT. STA. 715+00 TO RT. STA. 718+82.60  
LT. STA. 707+50 TO LT. STA. 718+19.60



### SHOULDER DETAIL

RT. STA. 711+00 TO RT. STA. 715+00



FILE NAME =	USER NAME = swartzw	DESIGNED -	REVISED -	<b>STATE OF ILLINOIS DEPARTMENT OF TRANSPORTATION</b>	<b>TYPICAL CROSS SECTIONS</b>	F.A.1 RTE.	SECTION	COUNTY	TOTAL SHEETS	SHEET NO.
dst\pw\work\PIWIDOT\SWARTZRW\dms50694\sh	typical_s.74171.dgn	DRAWN -	REVISED -			72	(58,741 66,67 RS-1	MACON	38	5
	PLOT SCALE = 20,0000 ' / IN.	CHECKED -	REVISED -			CONTRACT NO. 74171				
	PLOT DATE = 10/9/2008	DATE -	REVISED -			FED. ROAD DIST. NO. ILLINOIS FED. AID PROJECT				
						SCALE: NA	SHEET NO. 1 OF 3 SHEETS	STA.	TO STA.	