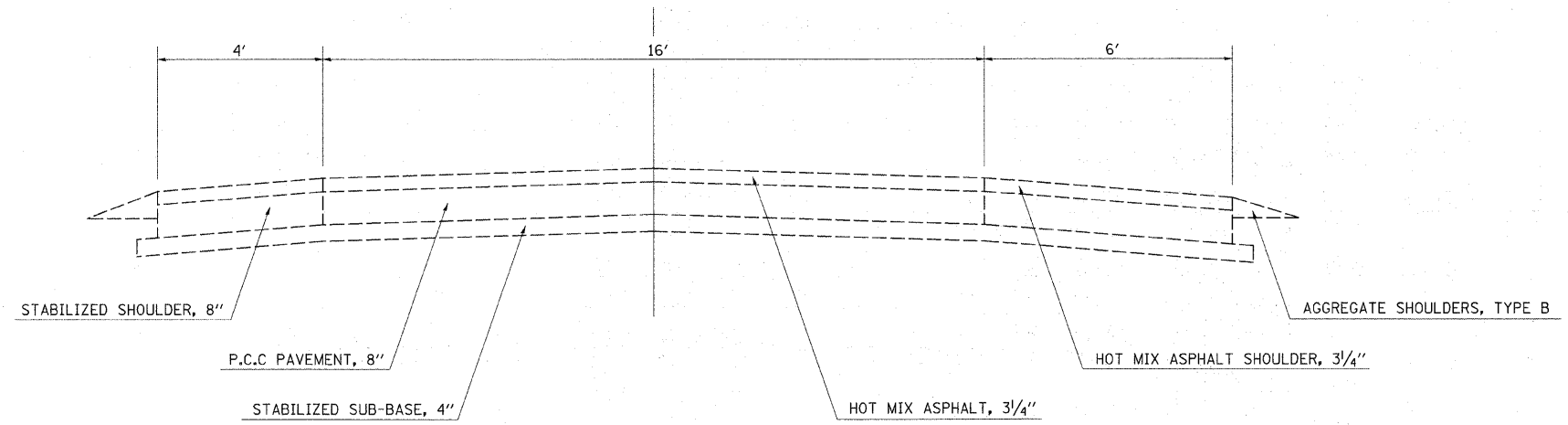
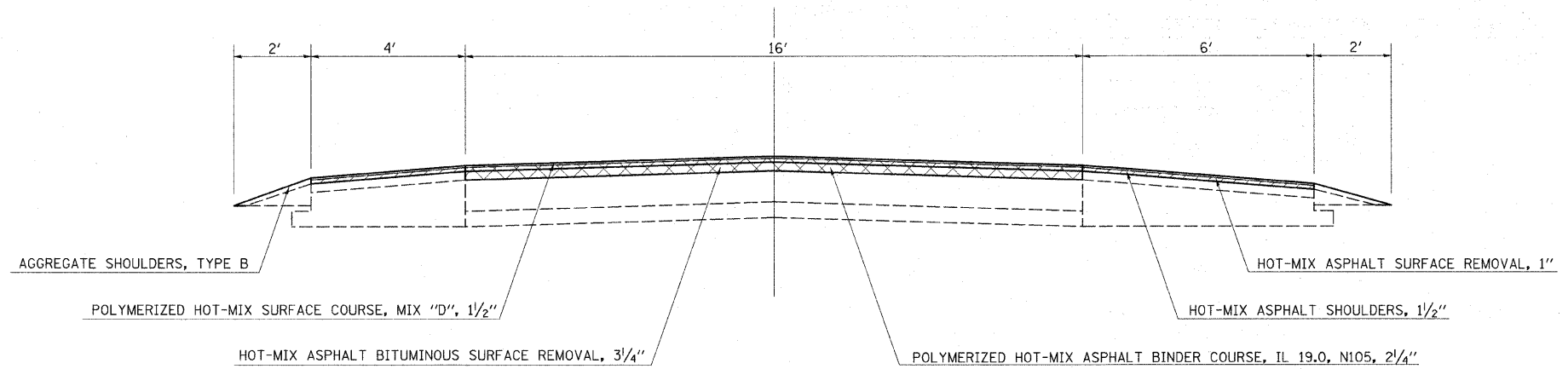


**EXISTING TYPICAL CROSS SECTION
REST AREA RAMPS**



**PROPOSED TYPICAL CROSS SECTION
REST AREA RAMPS**



FILE NAME =	USER NAME = swartzw	DESIGNED -	REVISED -	STATE OF ILLINOIS DEPARTMENT OF TRANSPORTATION	TYPICAL CROSS SECTIONS	F.A.I. RTE.	SECTION	COUNTY	TOTAL SHEETS	SHEET NO.
ct\pw\work\p\rdot\swartzw\dms50594\sh	spicals_74171.dgn	DRAWN -	REVISED -			72	(58,74)(66,67)RS-1	MACON	38	6
	PLOT SCALE = 20,0000 ' / IN.	CHECKED -	REVISED -			CONTRACT NO. 74171				
	PLOT DATE = 10/9/2008	DATE -	REVISED -			FED. ROAD DIST. NO. ILLINOIS FED. AID PROJECT				
					SCALE: NA	SHEET NO. 2 OF 3 SHEETS		STA.	TO STA.	