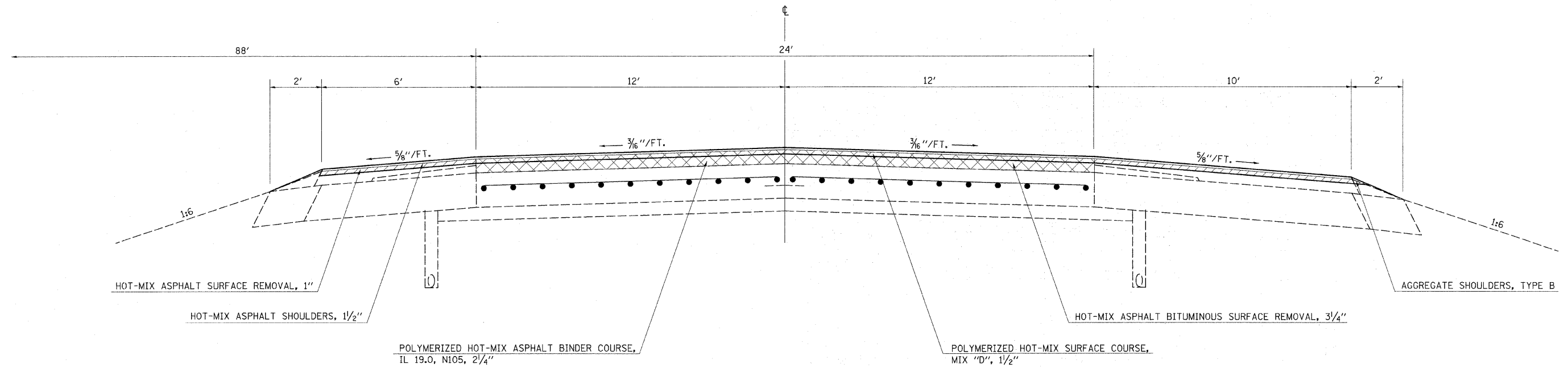


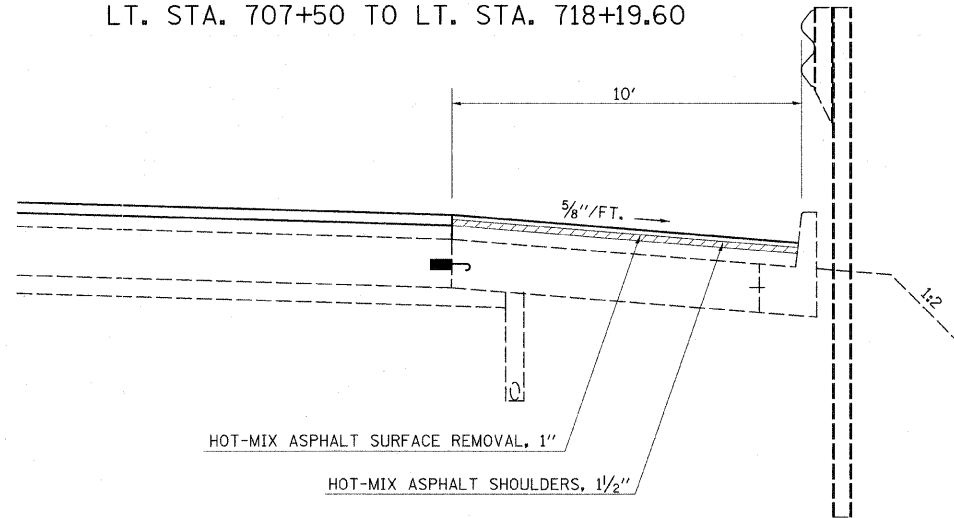
PROPOSED TYPICAL CROSS SECTION

STA. 700+98 TO STA. 910+00



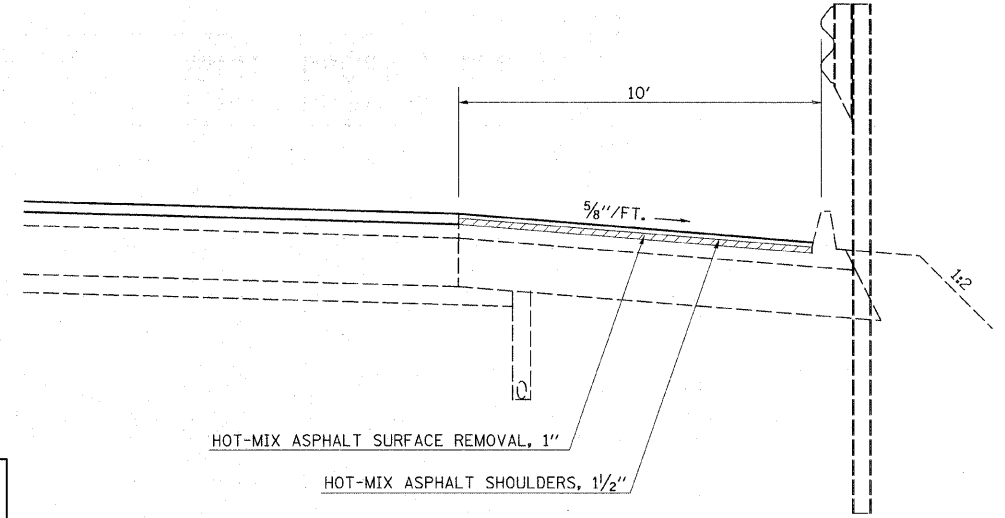
SHOULDER DETAIL

RT. STA. 715+00 TO RT. STA. 718+82.60
 LT. STA. 707+50 TO LT. STA. 718+19.60



SHOULDER DETAIL

RT. STA. 711+00 TO RT. STA. 715+00



STRUCTURAL DESIGN TRAFFIC:	YEAR 2018		
PV=	9791	SU=	567
		MU=	2837
ROAD/STREET CLASSIFICATION:	CLASS I		
PERCENT OF STRUCTURAL DESIGN TRAFFIC IN DESIGN LANE:			
P=	32	S=	45
		M=	45

FILE NAME =	USER NAME = swartzrw	DESIGNED -	REVISED -
cs\pw_work\FWIDOT\SWARTZRW\dms50694\sh	typicals.74171.dgn	DRAWN -	REVISED -
	PLOT SCALE = 20.0000' / IN.	CHECKED -	REVISED -
	PLOT DATE = 10/9/2008	DATE -	REVISED -

STATE OF ILLINOIS
 DEPARTMENT OF TRANSPORTATION

TYPICAL CROSS SECTIONS

SCALE: NA SHEET NO. 3 OF 3 SHEETS STA. TO STA.

F.A.I. RTE.	SECTION	COUNTY	TOTAL SHEETS	SHEET NO.
72	(58,74)(66,67)RS-1	MACON	38	7
FED. ROAD DIST. NO.			ILLINOIS FED. AID PROJECT	
			CONTRACT NO. 74171	