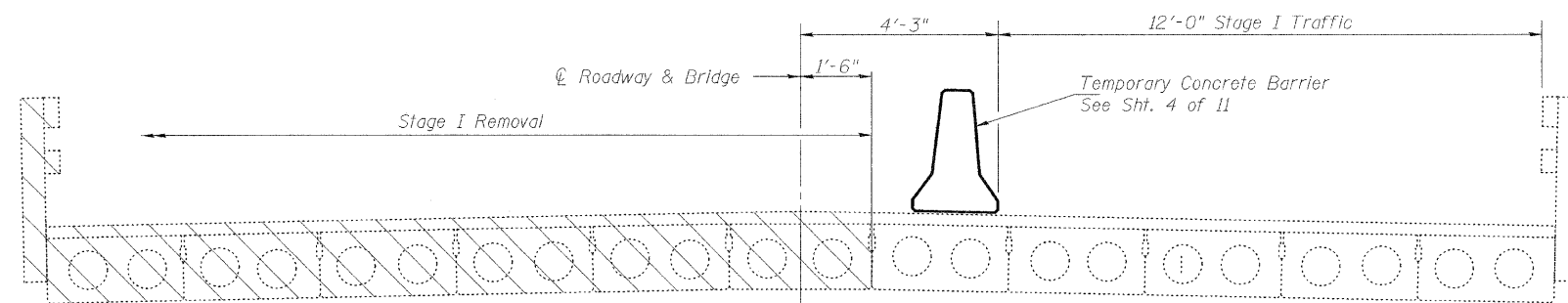


STATE OF ILLINOIS
DEPARTMENT OF TRANSPORTATION

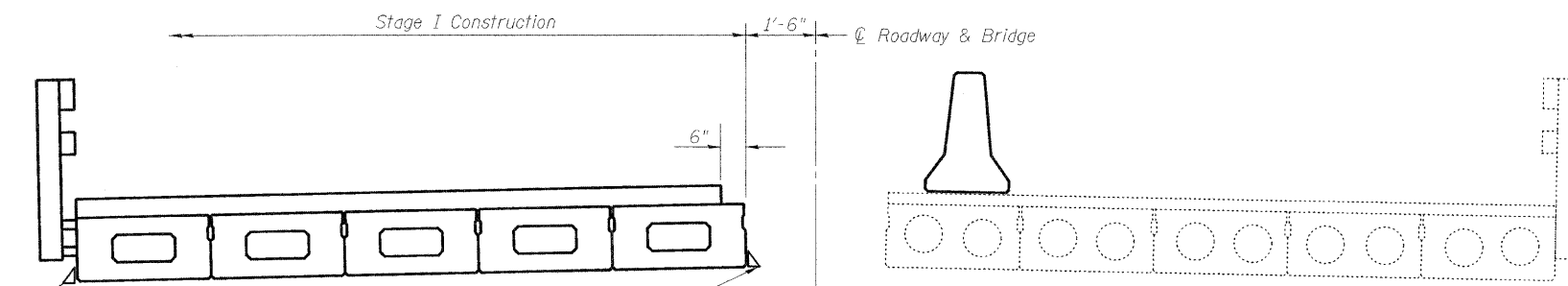
ROUTE NO.	SECTION	COUNTY	SHEET NO.	SHEET	SHEET NO. 3 11 SHEETS
FAP 770	116 BR-1	Moultrie	4b	12	
FED. ROAD DIST. NO. 7	ILLINOIS	FED. AID PROJECT-			

Contract #74183



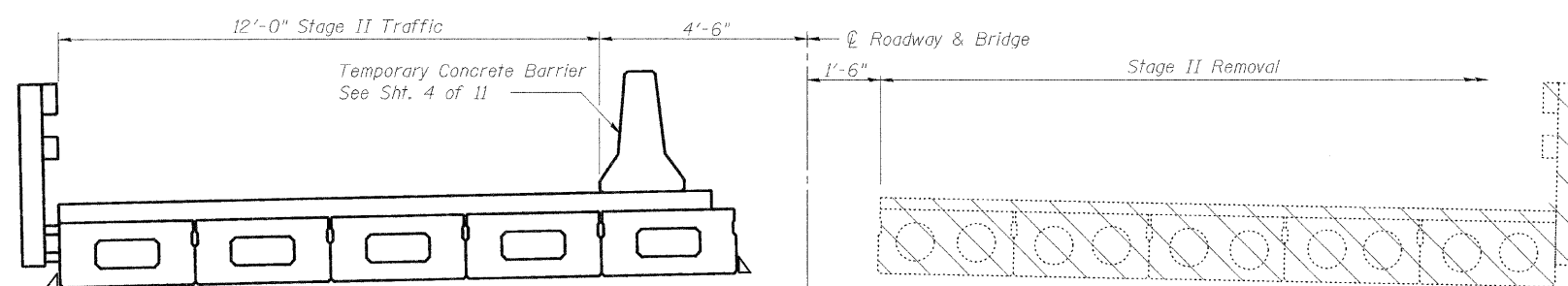
STAGE I REMOVAL

Looking North



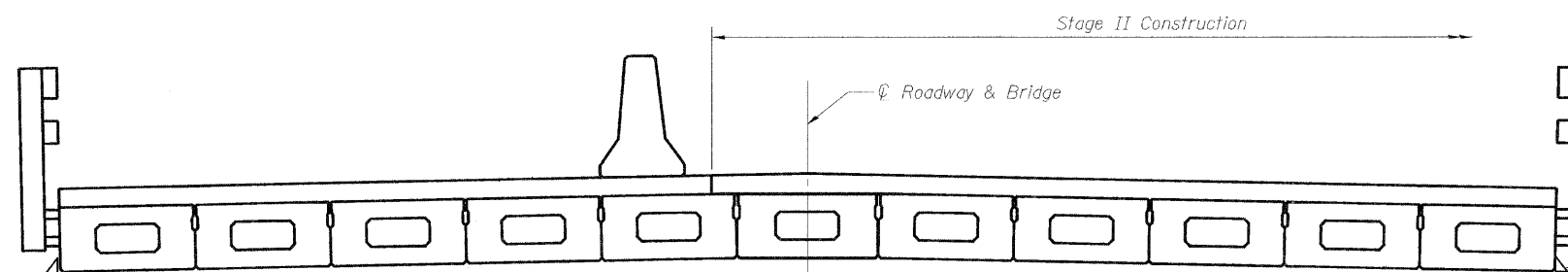
STAGE I CONSTRUCTION

Looking North



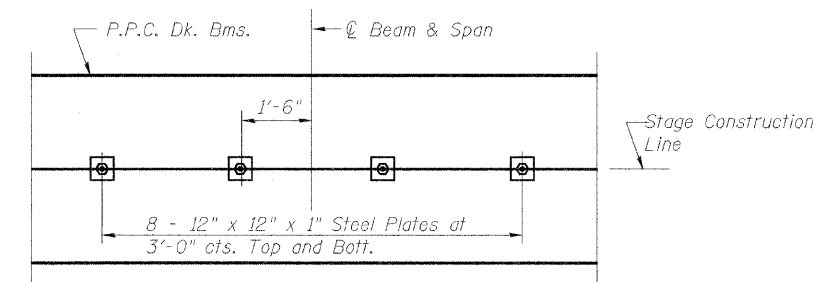
STAGE II REMOVAL

Looking North

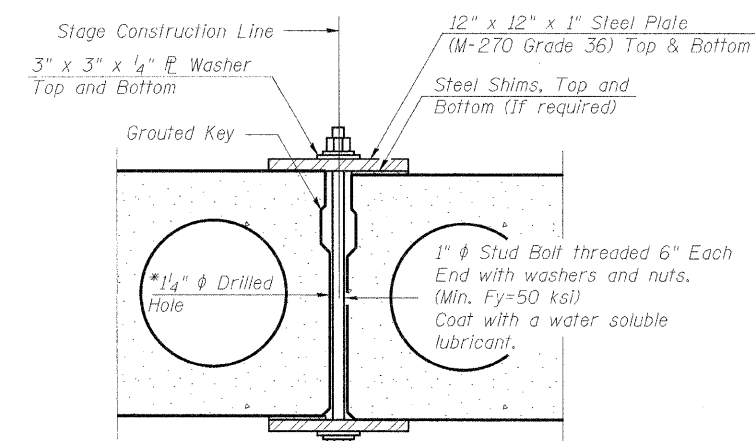


STAGE II CONSTRUCTION

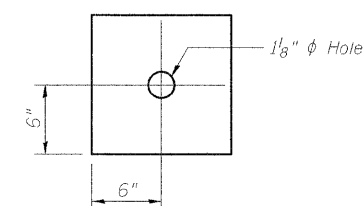
Looking North



PLAN



SECTION



CLAMPING PLATE

SHEAR KEY CLAMPING DETAILS AT STAGE CONST. JT.

1. See Standard Specifications for Stage Construction of Precast Prestressed Concrete Deck Beams.
2. Cost Included with Precast Prestressed Concrete Deck Beams, 21" Depth.

As an alternate to the drilled holes, the Contractor may request the Fabricator to cast 2" diameter semi-circular recesses in the sides of each beam adjacent to the stage construction line. These recesses should align to form a hole at the appropriate locations for the clamping device bolts. If the Contractor elects to use this alternate, the details shall be identified on the shop drawings.

STAGE CONSTRUCTION
F.A.P. 770 (IL RTE. 128)
OVER TRIBUTARY TO MARROWBONE CREEK
SECTION 116-BR-1
MOULTRIE COUNTY STA. 959+14.00
STRUCTURE NO. 070-0037

DESIGNED	DDB
CHECKED	LLV
DRAWN	MJY
CHECKED	LLV

Notes:
All staging cross sections are looking north.
For quantity of Temporary Concrete Barrier see roadway plans.
Hatched area indicates Removal of Existing Superstructures.

STS | AECOM

111 NE Jefferson Ave.
Peoria, Illinois 61602
Ph(309)676-8464
FAX(309)676-5445
IL Design Firm Reg.
No. 184-001518
www.sts.aecom.com