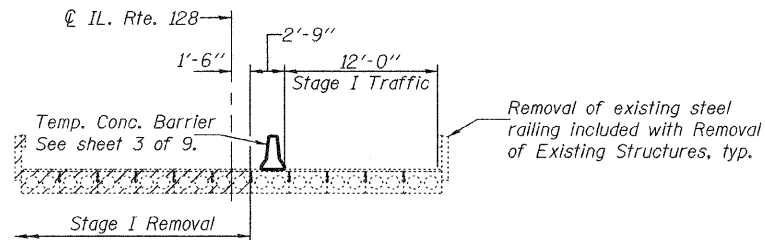
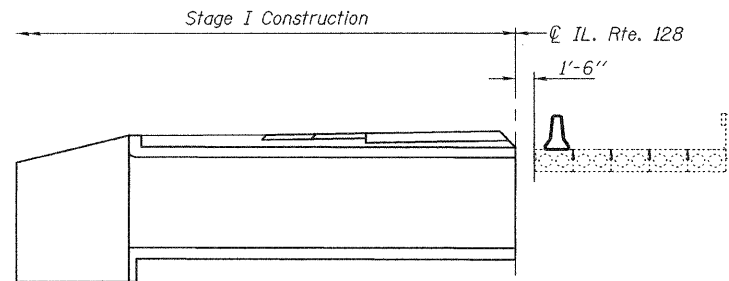


STATE OF ILLINOIS
DEPARTMENT OF TRANSPORTATION

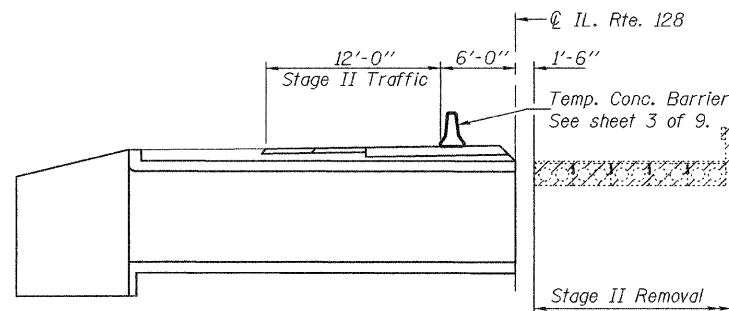
ROUTE NO.	SECTION	COUNTY	TOTAL SHEETS	SHEET NO.	SHEET NO. 2 9 SHEETS
FAP 770	#	MOULTRIE	46	26	
FED. ROAD DIST. NO. 7		ILLINOIS	FED. AID PROJECT		
			Contract #74183		*(116BR)B-1 & (116BR)BR



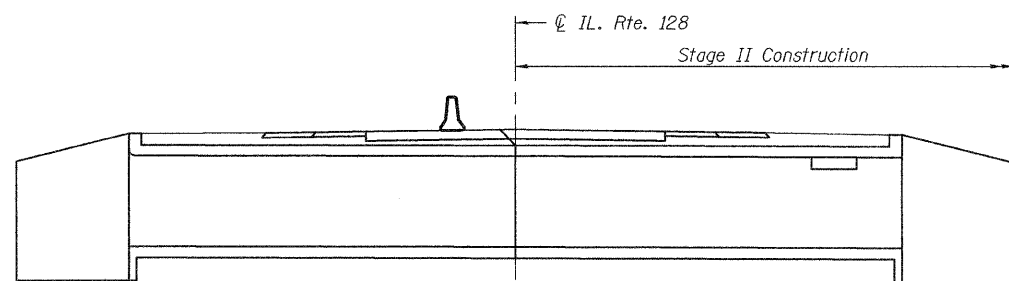
STAGE I REMOVAL



STAGE I CONSTRUCTION



STAGE II REMOVAL



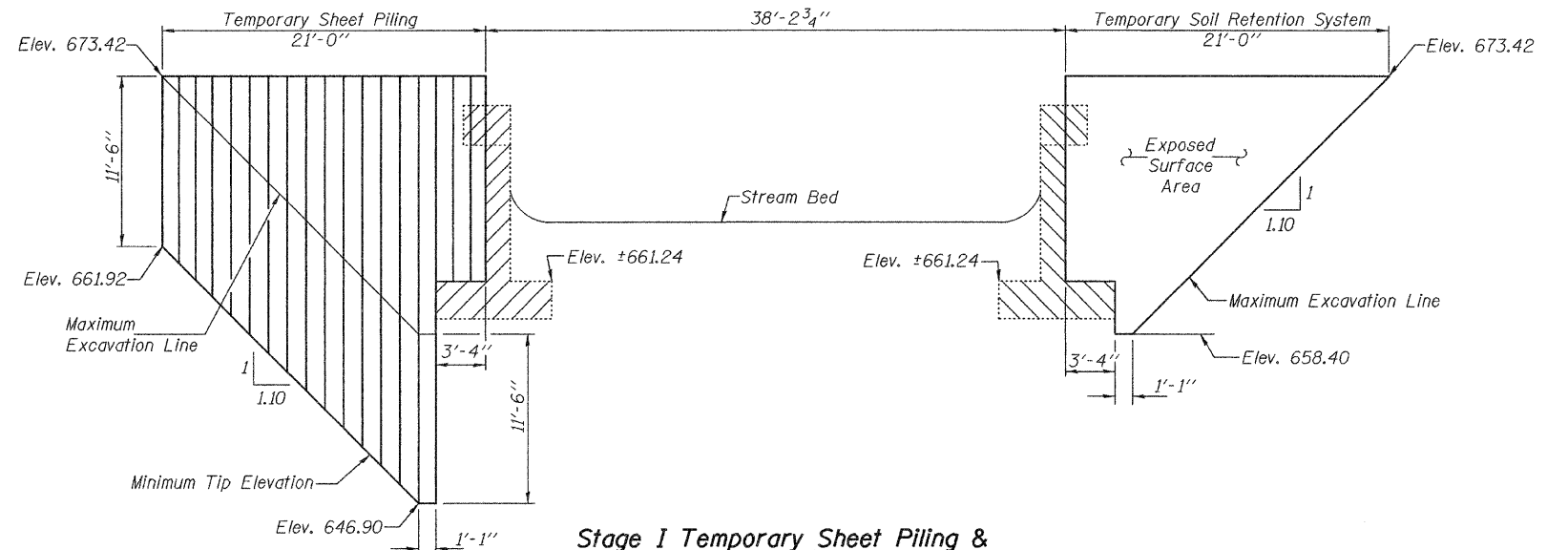
STAGE II CONSTRUCTION

Notes:

Hatched areas indicate removal of existing structures.
All Cross Sections are looking North unless otherwise specified.
For quantity of Temporary Concrete Barrier, see Rdwy. Plans.
All dimensions on the stage removal and construction cross sections are at Rt. L's to \odot Roadway.

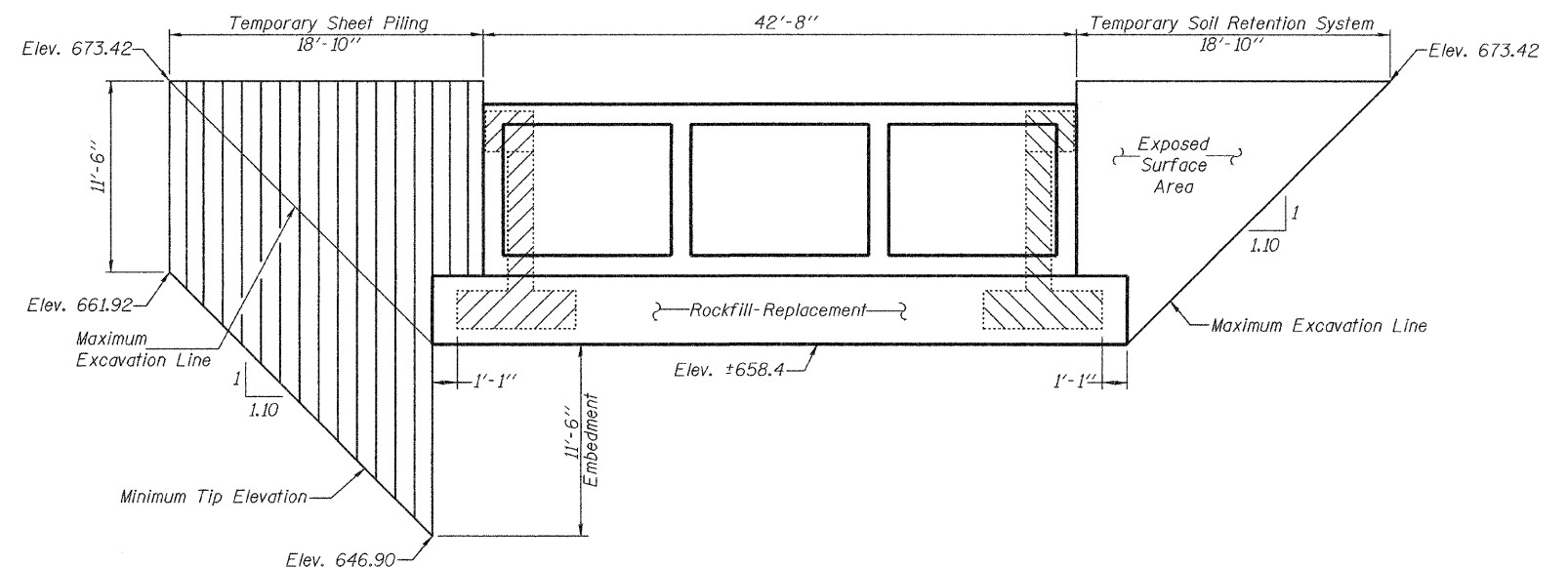
If the Contractor chooses to alter the temporary cantilevered sheet piling design requirements at the North end of Existing Structure as shown on the plans, a design submittal including plan details and calculations will be required for review and acceptance by the Engineer.

The Contractor shall connect the first sheet to the existing abutment wall to ensure stability of sheets driven to the top of the existing footing. This connection shall be reviewed and accepted by the Engineer and included in the cost for Temporary Sheet Piling.



Stage I Temporary Sheet Piling & Temporary Soil Retention System

(Looking East)
Min. Sec. Modulus for Temporary Sheet Piling = 17.6 in.³/ft.



Stage II Temporary Sheet Piling & Temporary Soil Retention System

(Looking East)

A cantilevered sheet piling design does not appear feasible at the south end of existing structure and additional members or other retention systems may be necessary. The Contractor shall submit a temporary soil retention system design including plan details and calculations for review and acceptance by the Engineer.

DESIGNED	Jay D. Edwards
CHECKED	Nick R. Barnett
DRAWN	BECKY M. LEACH
CHECKED	JDE/NRB

EXAMINED	September 16, 2008
PASSED	Thomas J. Donagall PRINCIPAL OF CIVIL DESIGN
	Ralph E. Anderson ENGINEER OF BRIDGES AND STRUCTURES

STAGE CONSTRUCTION DETAILS

F.A.P. RTE. 770 -
SEC. (116BR)B-1 & (116BR)BR
MOULTRIE COUNTY
STATION 843+77.40
STRUCTURE NO. 070-2019