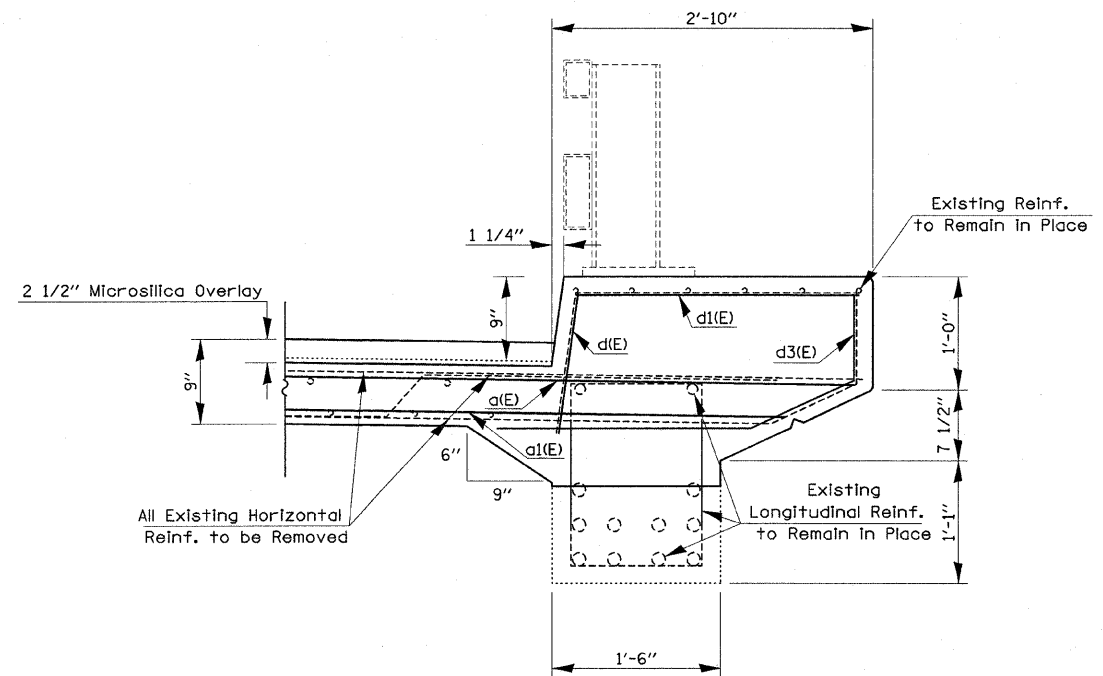
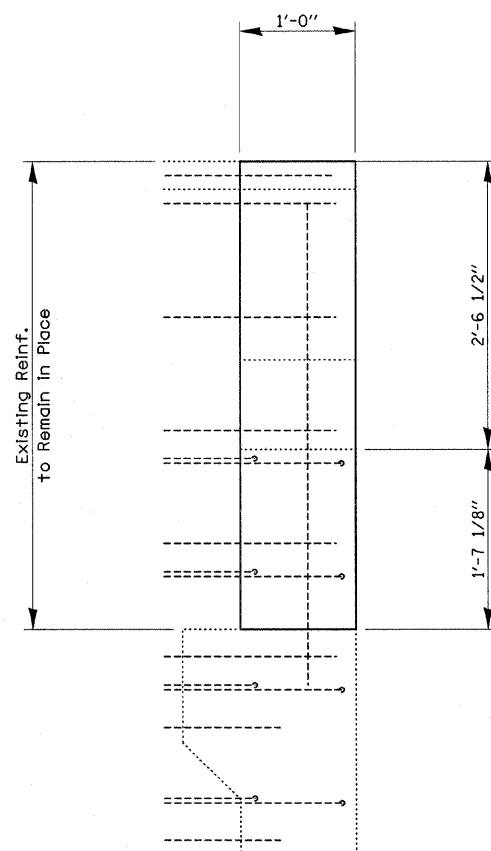


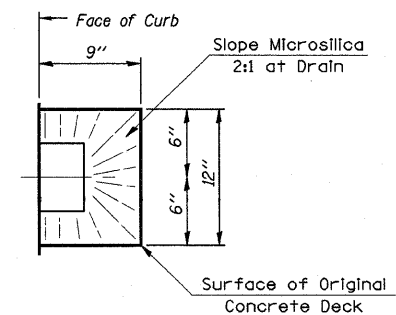
SECTION THRU CURB



SECTION THRU CURB



WINGWALL DETAIL



TOP PLAN DRAIN

FILE NAME =	USER NAME = swartzrw	DESIGNED -	REVISED -	STATE OF ILLINOIS DEPARTMENT OF TRANSPORTATION	WINGWALL & CURB REPLACEMENT DETAILS SN 051-0016 (WB) & SN 051-0017 (EB)	F.A.P. RTE.	SECTION	COUNTY	TOTAL SHEETS	SHEET NO.
c:\pw\work\PW\DOT\SWARTZRW\dms50697\shplan.74308.dgn	DRAWN -	REVISED -	327			(51-23-1, 51-24)RS-1	LAWRENCE	47	38	
PLOT SCALE = 20,0000 1 / IN.	CHECKED -	REVISED -	CONTRACT NO. 74308							
PLOT DATE = 10/14/2008	DATE -	REVISED -	ILLINOIS FED. AID PROJECT							
				SCALE: N/A	SHEET NO. 6 OF 15 SHEETS	STA.	TO STA.			

SHEET NO. 6
15 SHEETS