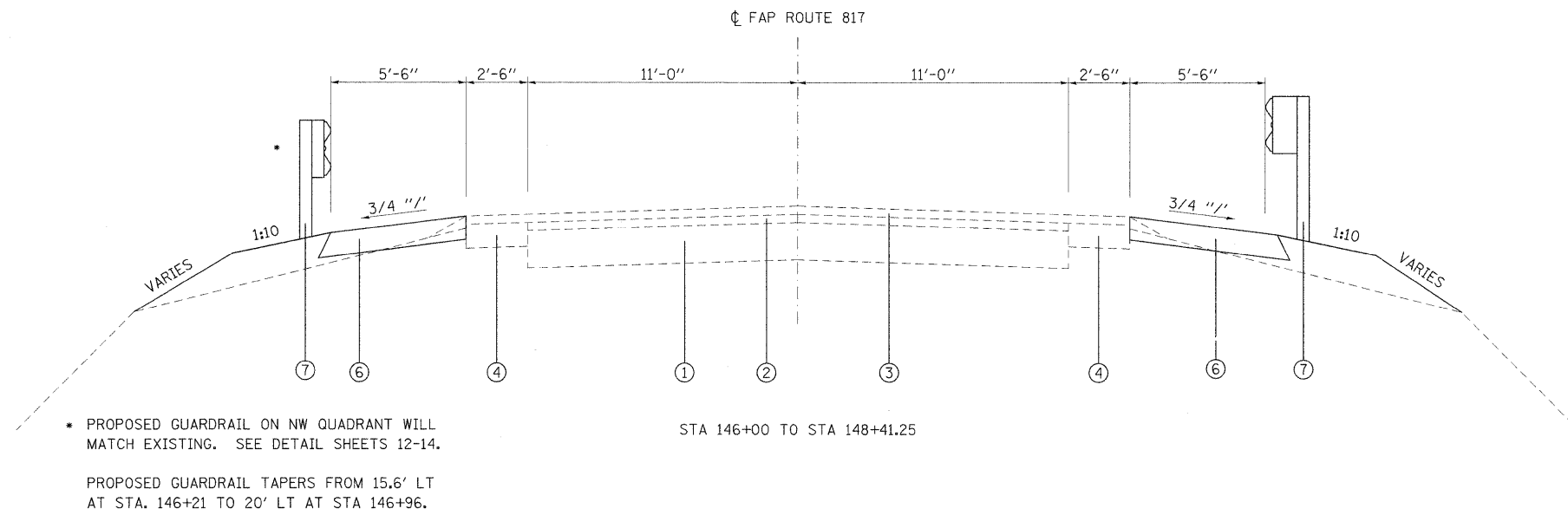


**LEGEND**

- ① EXISTING PAVEMENT
- ② EXISTING RESURFACING
- ③ EXISTING BITUMINOUS CONCRETE SURFACE COURSE, 2"
- ④ EXISTING BITUMINOUS SHOULDER
- ⑤ EXISTING GUARDRAIL
- ⑥ PROPOSED AGGREGATE SHOULDER, TYPE A - 6"
- ⑦ PROPOSED GUARDRAIL



\* PROPOSED GUARDRAIL ON NW QUADRANT WILL MATCH EXISTING. SEE DETAIL SHEETS 12-14.  
 PROPOSED GUARDRAIL TAPERS FROM 15.6' LT AT STA. 146+21 TO 20' LT AT STA 146+96.

**BITUMINOUS MIXTURE CHART**

MIXTURE USE	BINDER
AC/PG	PG 64-22
RAP % (MAX)	15%
DESIGN AIR VOIDS	4.0% @ Ndes=70
MIX COMPOSITION (GRADATION MIXTURE)	
FRICITION AGG	MIXTURE "B"

PLAN QUANTITIES FOR BITUMINOUS CONCRETE SURFACE COURSE ITEMS ARE CALCULATED USING A UNIT WEIGHT OF 112 LB/SQ YD/IN (59.8 KG/SQ M/25 MM THICKNESS).

