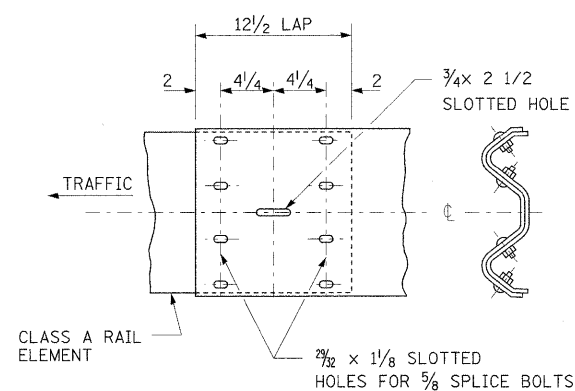
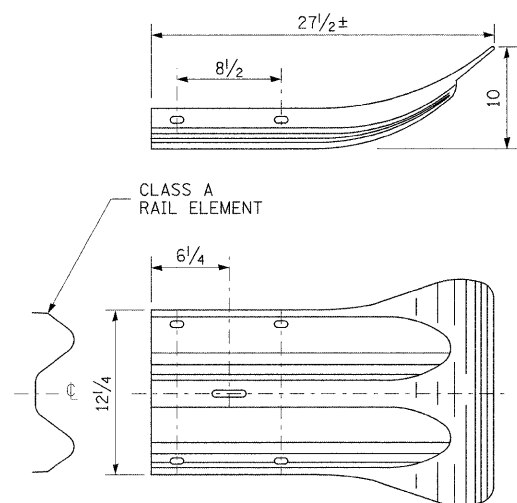


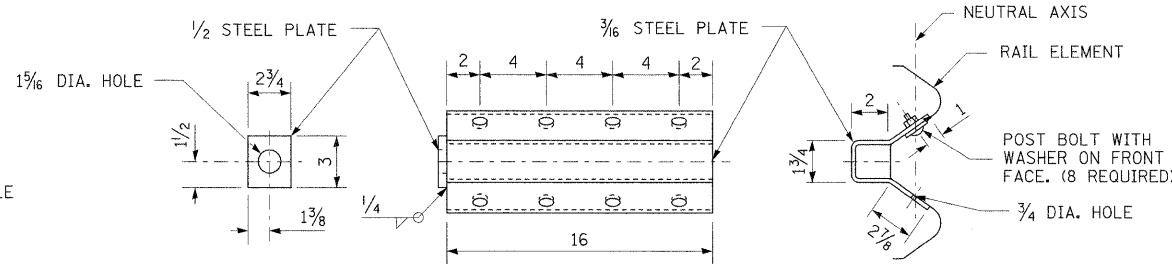
SPLICE PLATE



RAIL ELEMENT SPLICE

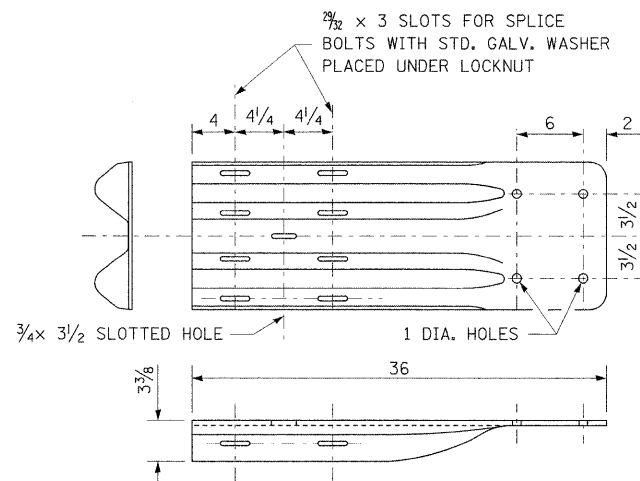


END SECTION



NOTE
ANCHOR PLATE T SHALL BE USED TO ATTACH CABLE ASSEMBLY TO GUARDRAIL WHEN REQUIRED ON TRAFFIC BARRIER TERMINALS.

ANCHOR PLATE T DETAILS

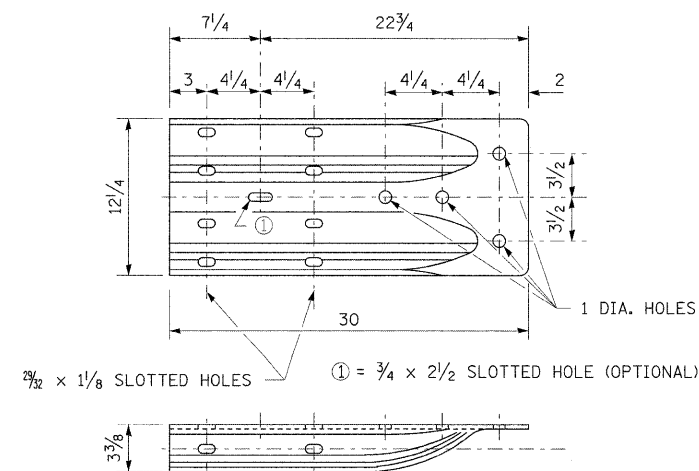


NOTE
WHEN END SHOE IS ATTACHED TO A BRIDGE PARAPET WHICH HAS AN EXPANSION JOINT, THE BOLTS SHALL BE PROVIDED WITH A LOCKNUT OR DOUBLE NUT AND SHALL BE TIGHTENED ONLY TO A POINT THAT WILL ALLOW GUARDRAIL MOVEMENT.

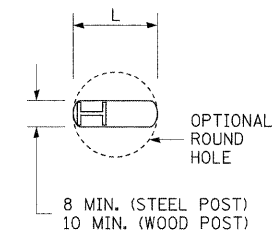
THE STANDARD END SHOE SHALL BE ATTACHED TO THE CONCRETE WITH PRE-DRILLED OR SELF-DRILLING ANCHOR BOLTS. THE ANCHOR CONE SHALL BE SET FLUSH WITH THE SURFACE OF THE CONCRETE.

EXTERNALLY THREADED STUDS PROTRUDING FROM THE SURFACE OF THE CONCRETE WILL NOT BE PERMITTED.

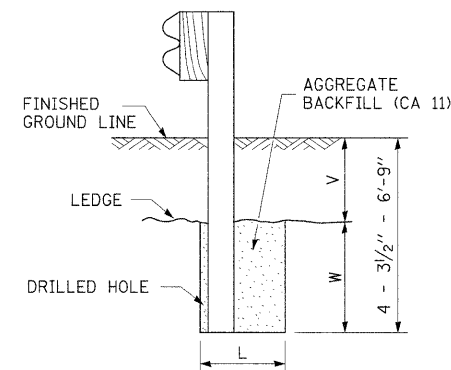
END SHOE



ALTERNATE END SHOE



PLAN

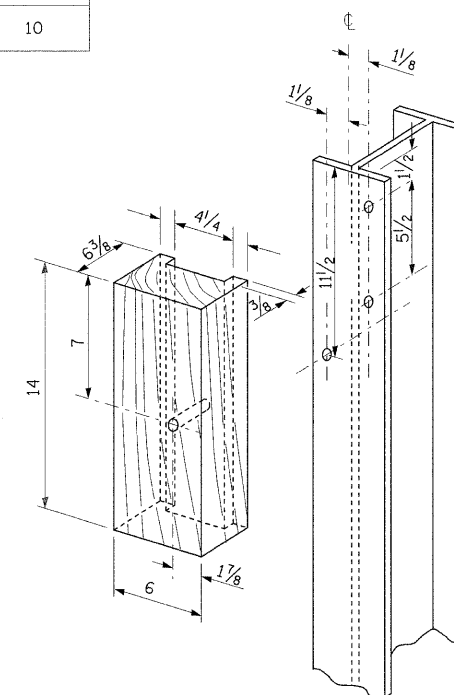


NOTE:
LEDGE LINE IS TOP OF ROCK LEDGE OR HARD SLAG FILL.

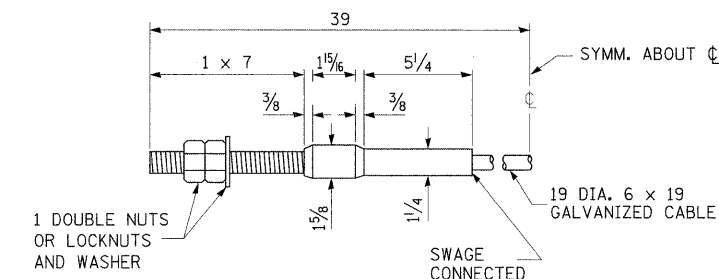
ELEVATION

V	W	L	
		STEEL POST	WOOD POST
0 - 18	24	21	23
>18 - 41.5	12	8	10
>41.5 - 53.5	12 - 0	8	10

FOOTING FOR POST WHEN IMPERVIOUS MATERIAL IS ENCOUNTERED



WOOD BLOCK-OUT AND STEEL POST DETAILS



CABLE ASSEMBLY

40,000 LBS. MIN. BREAKING STRENGTH
TIGHTEN TO TAUT TENSION.