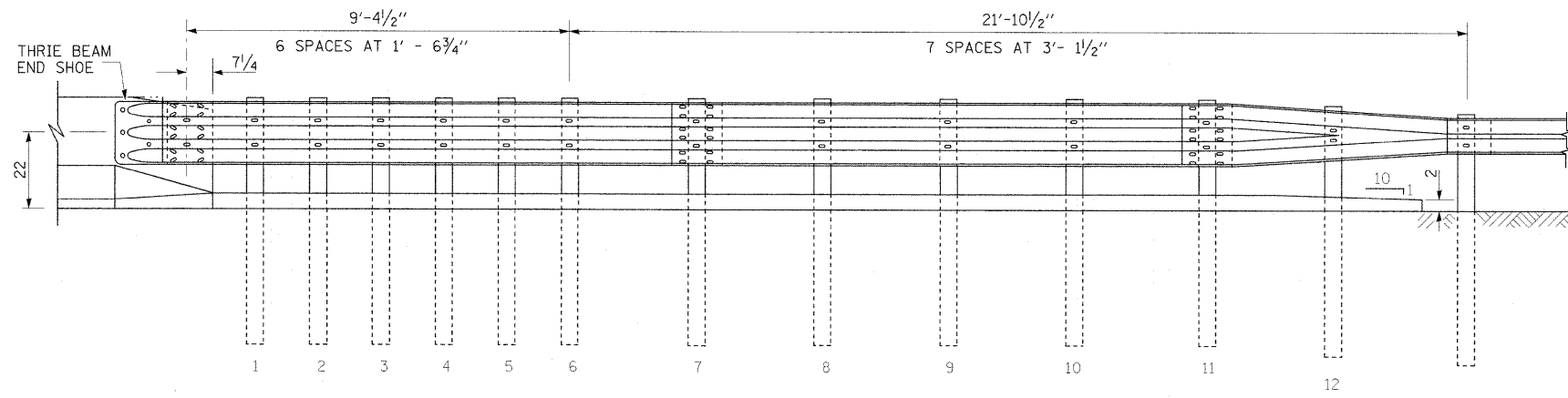
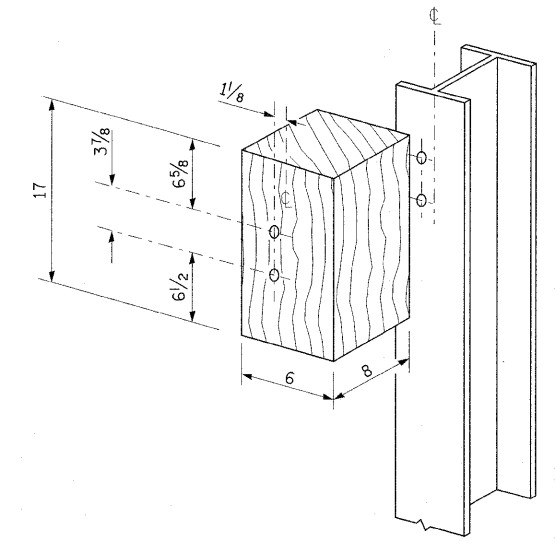


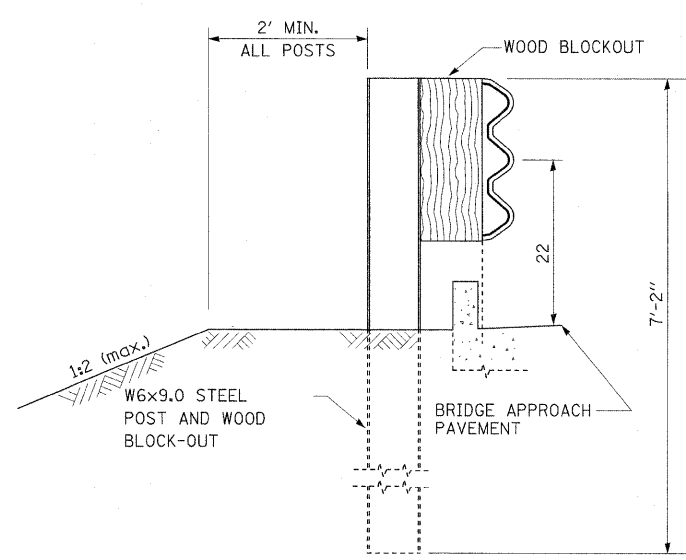
PLAN



ELEVATION



POST 12 WOOD BLOCKOUT DETAIL



SECTION A-A

GENERAL NOTES

- SEE STEEL PLATE BEAM GUARDRAIL, TYPE A DETAIL FOR DETAILS OF GUARDRAIL NOT SHOWN.
- THRIE BEAM RAIL SHALL BE BOLTED TO BLOCK-OUT AT ALL POSTS.
- SEE STANDARD 420401 FOR DETAILS OF BRIDGE APPROACH PAVEMENT.
- ALL SLOPE RATIOS ARE EXPRESSED AS UNITS OF VERTICAL DISPLACEMENT TO UNITS OF HORIZONTAL DISPLACEMENT (V:H).
- ALL DIMENSIONS ARE IN INCHES UNLESS OTHERWISE SHOWN.

FILE NAME = #FILE#	USER NAME = #USER#	DESIGNED -	REVISED -	STATE OF ILLINOIS DEPARTMENT OF TRANSPORTATION	TRAFFIC BARRIER TERMINAL, TYPE 6 DETAIL		F.A.P. RTE. #	SECTION	COUNTY	TOTAL SHEETS	SHEET NO.		
	PLOT SCALE = #SCALE#	DRAWN -	REVISED -		SCALE:	SHEET NO. 3 OF 3 SHEETS	STA.	TO STA.	817	421B-1	ST. CLAIR	56	14
	PLOT DATE = #DATE#	CHECKED -	REVISED -						CONTRACT NO. 76885				
		DATE -	REVISED -						ILLINOIS FED. AID PROJECT				